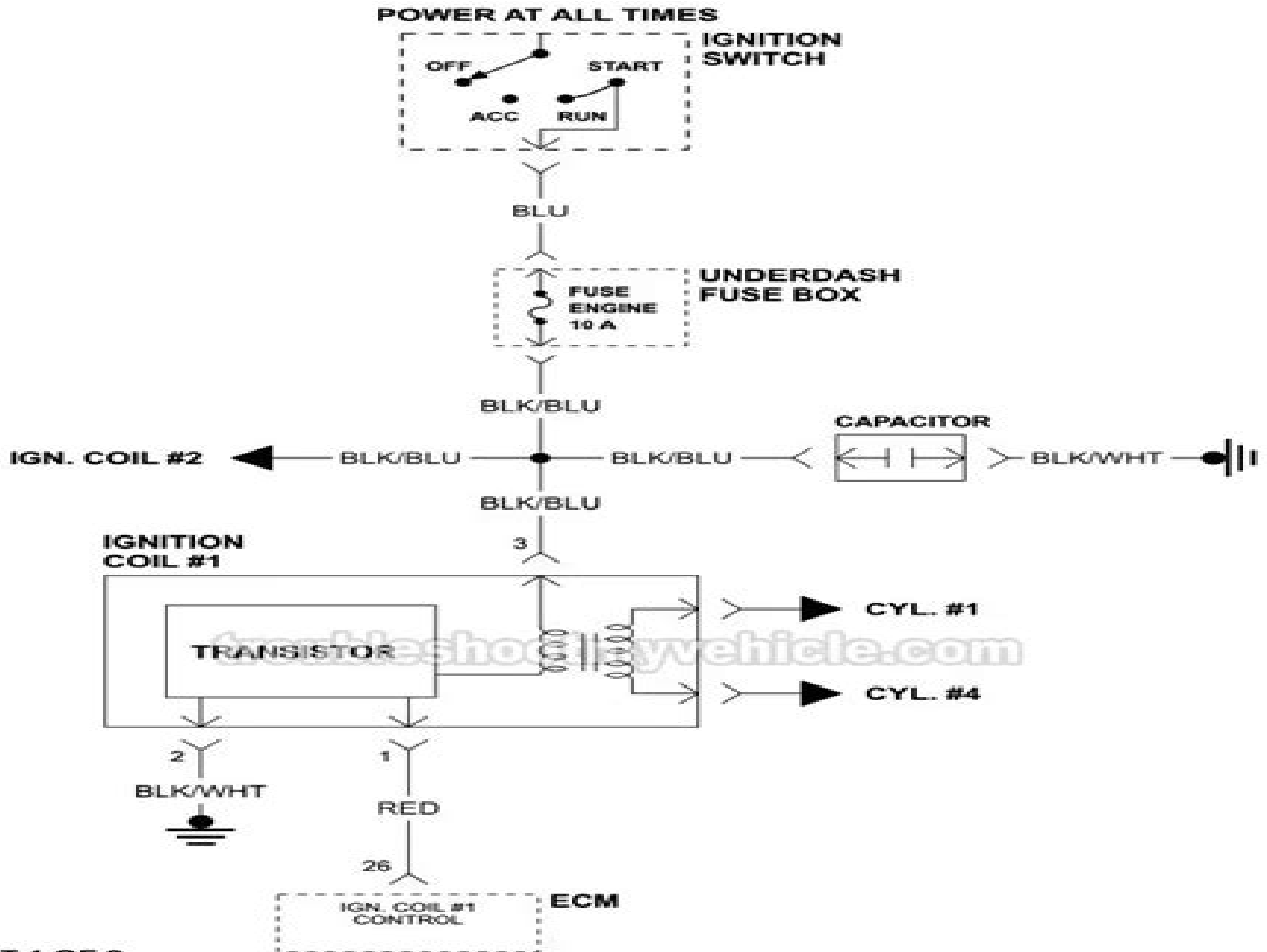


# 1999, 2000, 2001 1.6L Mazda Protege TYPICAL IGNITION SYSTEM CIRCUIT DIAGRAM



# Mazda 323 Protege Wiring Diagram

**Mike Jess**



## **Mazda 323 Protege Wiring Diagram:**

Thank you for reading **Mazda 323 Protege Wiring Diagram**. Maybe you have knowledge that, people have search numerous times for their chosen books like this Mazda 323 Protege Wiring Diagram, but end up in infectious downloads. Rather than reading a good book with a cup of tea in the afternoon, instead they juggled with some malicious bugs inside their computer.

Mazda 323 Protege Wiring Diagram is available in our digital library an online access to it is set as public so you can get it instantly.

Our books collection hosts in multiple locations, allowing you to get the most less latency time to download any of our books like this one.

Kindly say, the Mazda 323 Protege Wiring Diagram is universally compatible with any devices to read

<https://splashdogs.com/About/virtual-library/index.jsp/Massey%20Ferguson%2020%20Baler%20Manual.pdf>

## **Table of Contents Mazda 323 Protege Wiring Diagram**

1. Understanding the eBook Mazda 323 Protege Wiring Diagram
  - The Rise of Digital Reading Mazda 323 Protege Wiring Diagram
  - Advantages of eBooks Over Traditional Books
2. Identifying Mazda 323 Protege Wiring Diagram
  - Exploring Different Genres
  - Considering Fiction vs. Non-Fiction
  - Determining Your Reading Goals
3. Choosing the Right eBook Platform
  - Popular eBook Platforms
  - Features to Look for in an Mazda 323 Protege Wiring Diagram
  - User-Friendly Interface
4. Exploring eBook Recommendations from Mazda 323 Protege Wiring Diagram
  - Personalized Recommendations

- Mazda 323 Protege Wiring Diagram User Reviews and Ratings
- Mazda 323 Protege Wiring Diagram and Bestseller Lists
- 5. Accessing Mazda 323 Protege Wiring Diagram Free and Paid eBooks
  - Mazda 323 Protege Wiring Diagram Public Domain eBooks
  - Mazda 323 Protege Wiring Diagram eBook Subscription Services
  - Mazda 323 Protege Wiring Diagram Budget-Friendly Options
- 6. Navigating Mazda 323 Protege Wiring Diagram eBook Formats
  - ePub, PDF, MOBI, and More
  - Mazda 323 Protege Wiring Diagram Compatibility with Devices
  - Mazda 323 Protege Wiring Diagram Enhanced eBook Features
- 7. Enhancing Your Reading Experience
  - Adjustable Fonts and Text Sizes of Mazda 323 Protege Wiring Diagram
  - Highlighting and Note-Taking Mazda 323 Protege Wiring Diagram
  - Interactive Elements Mazda 323 Protege Wiring Diagram
- 8. Staying Engaged with Mazda 323 Protege Wiring Diagram
  - Joining Online Reading Communities
  - Participating in Virtual Book Clubs
  - Following Authors and Publishers Mazda 323 Protege Wiring Diagram
- 9. Balancing eBooks and Physical Books Mazda 323 Protege Wiring Diagram
  - Benefits of a Digital Library
  - Creating a Diverse Reading Collection Mazda 323 Protege Wiring Diagram
- 10. Overcoming Reading Challenges
  - Dealing with Digital Eye Strain
  - Minimizing Distractions
  - Managing Screen Time
- 11. Cultivating a Reading Routine Mazda 323 Protege Wiring Diagram
  - Setting Reading Goals Mazda 323 Protege Wiring Diagram
  - Carving Out Dedicated Reading Time
- 12. Sourcing Reliable Information of Mazda 323 Protege Wiring Diagram
  - Fact-Checking eBook Content of Mazda 323 Protege Wiring Diagram

- Distinguishing Credible Sources
13. Promoting Lifelong Learning
- Utilizing eBooks for Skill Development
  - Exploring Educational eBooks
14. Embracing eBook Trends
- Integration of Multimedia Elements
  - Interactive and Gamified eBooks

### **Mazda 323 Protege Wiring Diagram Introduction**

In today's digital age, the availability of Mazda 323 Protege Wiring Diagram books and manuals for download has revolutionized the way we access information. Gone are the days of physically flipping through pages and carrying heavy textbooks or manuals. With just a few clicks, we can now access a wealth of knowledge from the comfort of our own homes or on the go. This article will explore the advantages of Mazda 323 Protege Wiring Diagram books and manuals for download, along with some popular platforms that offer these resources. One of the significant advantages of Mazda 323 Protege Wiring Diagram books and manuals for download is the cost-saving aspect. Traditional books and manuals can be costly, especially if you need to purchase several of them for educational or professional purposes. By accessing Mazda 323 Protege Wiring Diagram versions, you eliminate the need to spend money on physical copies. This not only saves you money but also reduces the environmental impact associated with book production and transportation. Furthermore, Mazda 323 Protege Wiring Diagram books and manuals for download are incredibly convenient. With just a computer or smartphone and an internet connection, you can access a vast library of resources on any subject imaginable. Whether you're a student looking for textbooks, a professional seeking industry-specific manuals, or someone interested in self-improvement, these digital resources provide an efficient and accessible means of acquiring knowledge. Moreover, PDF books and manuals offer a range of benefits compared to other digital formats. PDF files are designed to retain their formatting regardless of the device used to open them. This ensures that the content appears exactly as intended by the author, with no loss of formatting or missing graphics. Additionally, PDF files can be easily annotated, bookmarked, and searched for specific terms, making them highly practical for studying or referencing. When it comes to accessing Mazda 323 Protege Wiring Diagram books and manuals, several platforms offer an extensive collection of resources. One such platform is Project Gutenberg, a nonprofit organization that provides over 60,000 free eBooks. These books are primarily in the public domain, meaning they can be freely distributed and downloaded. Project Gutenberg offers a wide range of classic literature, making it an excellent resource for literature enthusiasts. Another popular platform for Mazda 323 Protege Wiring Diagram books and manuals is Open Library.

Open Library is an initiative of the Internet Archive, a non-profit organization dedicated to digitizing cultural artifacts and making them accessible to the public. Open Library hosts millions of books, including both public domain works and contemporary titles. It also allows users to borrow digital copies of certain books for a limited period, similar to a library lending system. Additionally, many universities and educational institutions have their own digital libraries that provide free access to PDF books and manuals. These libraries often offer academic texts, research papers, and technical manuals, making them invaluable resources for students and researchers. Some notable examples include MIT OpenCourseWare, which offers free access to course materials from the Massachusetts Institute of Technology, and the Digital Public Library of America, which provides a vast collection of digitized books and historical documents. In conclusion, Mazda 323 Protege Wiring Diagram books and manuals for download have transformed the way we access information. They provide a cost-effective and convenient means of acquiring knowledge, offering the ability to access a vast library of resources at our fingertips. With platforms like Project Gutenberg, Open Library, and various digital libraries offered by educational institutions, we have access to an ever-expanding collection of books and manuals. Whether for educational, professional, or personal purposes, these digital resources serve as valuable tools for continuous learning and self-improvement. So why not take advantage of the vast world of Mazda 323 Protege Wiring Diagram books and manuals for download and embark on your journey of knowledge?

### **FAQs About Mazda 323 Protege Wiring Diagram Books**

How do I know which eBook platform is the best for me? Finding the best eBook platform depends on your reading preferences and device compatibility. Research different platforms, read user reviews, and explore their features before making a choice. Are free eBooks of good quality? Yes, many reputable platforms offer high-quality free eBooks, including classics and public domain works. However, make sure to verify the source to ensure the eBook credibility. Can I read eBooks without an eReader? Absolutely! Most eBook platforms offer web-based readers or mobile apps that allow you to read eBooks on your computer, tablet, or smartphone. How do I avoid digital eye strain while reading eBooks? To prevent digital eye strain, take regular breaks, adjust the font size and background color, and ensure proper lighting while reading eBooks. What the advantage of interactive eBooks? Interactive eBooks incorporate multimedia elements, quizzes, and activities, enhancing the reader engagement and providing a more immersive learning experience. Mazda 323 Protege Wiring Diagram is one of the best book in our library for free trial. We provide copy of Mazda 323 Protege Wiring Diagram in digital format, so the resources that you find are reliable. There are also many Ebooks of related with Mazda 323 Protege Wiring Diagram. Where to download Mazda 323 Protege Wiring Diagram online for free? Are you looking for Mazda 323 Protege Wiring

Diagram PDF? This is definitely going to save you time and cash in something you should think about.

### **Find Mazda 323 Protege Wiring Diagram :**

[massey ferguson 20 baler manual](#)

**mastercam users guide**

**master bookkeepers guide**

[massey ferguson mf 130 operators manual](#)

[mastercam x4 manual userguide](#)

**mastering windows sharepoint services torrent**

[massey ferguson 36 repair manual](#)

[massey relay switch wiring diagram](#)

~~mastering javascript design patterns~~

[massey ferguson 265 service manual 2 battery](#)

**master reset for blackberry torch**

**mastering physics chapter 1 solutions**

**mastering biology solution manual**

[massey ferguson fe35 4 cylinder manual](#)

[mastering physics 13th edition solutions](#)

### **Mazda 323 Protege Wiring Diagram :**

**launch photography ben cooper photographs rockets of nasa** - Dec 06 2022

web launch photography by ben cooper spacex ula nasa rocket photos ben cooper photography hire me order prints or license photos contact form below

[launch photography by ben cooper spacex ula nasa](#) - Aug 02 2022

web nov 15 2019 photographs of unmanned rockets such as united launch alliance delta ii delta iv and atlas v rockets which have been launching for a long time plus the new

**launch photography by ben cooper about me spacex ula** - Jan 07 2023

web launch photography ben cooper photographs rockets of nasa and more cooper ben 9781682034163 books amazon ca

[launch photography ben cooper photographs rockets of nasa](#) - Jul 01 2022



web launch photography ben cooper photographs rockets of nasa and more by ben cooper 0 ratings 0 want to read 0 currently reading 0 have read

**launch photography ben cooper photographs** - May 11 2023

web sep 15 2019 ben cooper perfectly captures the stunning vibrant visuals of rocket shuttle launches the book wonderfully shows in depth behind the scenes takes on the

*launch photography ben cooper photographs rockets of n* - Oct 24 2021

launch photography 9781682034170 vitalsource - Jan 27 2022

**launch photography ben cooper photographs** - Nov 24 2021

launch photography ben cooper photographs rockets - Jul 13 2023

web sep 15 2019 photographs of unmanned rockets such as united launch alliance delta ii delta iv and atlas v rockets which have been launching for a long time plus the new

**the real rocket man how ben cooper captures his** - Apr 10 2023

web about ben cooper photography with space shuttle discovery in 2010 credit robert pearlman to hire ben license photos or purchase prints contact

**launch photography ben cooper photographs rockets of nasa** - Apr 29 2022

web launch photography ben cooper photographs rockets of nasa and more cooper ben isbn 9781682034163 kostenloser versand für alle bücher mit versand und

*launch photography ben cooper photographs rockets of nasa* - Oct 04 2022

web launch photography ben cooper photographs rockets of nasa and more ebook cooper ben amazon in kindle store

launch photography ben cooper photographs rockets of nasa - Sep 03 2022

web buy launch photography ben cooper photographs rockets of nasa and more by ben cooper online at alibris we have new and used copies available in 1 editions starting

**launch photography by ben cooper open library** - Feb 25 2022

**launch photography ben cooper photographs rockets of nasa** - Jun 12 2023

web buy launch photography ben cooper photographs rockets of nasa and more illustrated by cooper ben isbn 9781682034163 from amazon s book store

launch photography ben cooper photographs rockets of nasa - May 31 2022

web launch photography ben cooper photographs rockets of nasa and more is written by ben cooper and published by amherst media the digital and etextbook isbns for

*rocket man how launch photographer ben cooper* - Nov 05 2022

web launch photography ben cooper photographs rockets of nasa and more ebook cooper ben amazon com au kindle store

**ben cooper rocket launch photography spacex ula nasa** - Aug 14 2023

web aug 16 2023 ben cooper rocket launch photography launch viewing guide see spacex falcon 9 photos falcon heavy photos ula atlas v photos find out the best

*launch photography ben cooper photographs rockets of nasa* - Dec 26 2021

**launch photography ben cooper photographs rockets** - Feb 08 2023

web master launch photographer ben cooper captures readers favourite subjects in a new light rather than presenting the standard rocket lifting off the launch pad images he

launch photography ben cooper photographs - Mar 09 2023

web sep 15 2019 ben cooper amherst media incorporated sep 15 2019 photography 128 pages master launch photographer ben cooper captures readers favorite

**launch photography by ben cooper overdrive** - Mar 29 2022

web nov 15 2019 master launch photographer ben cooper captures readers favorite subjects in a new light rath launch photography ben cooper photographs

*la canción de amina 121 el barco de vapor roja iberlibro com* - May 12 2023

web la canción de amina 121 el barco de vapor roja de heuck sigrid en iberlibro com isbn 10 8467591579 isbn 13 9788467591576 ediciones sm 2017 tapa blanda

la canción de amina 121 el barco de vapor roja tapa blanda - Jul 14 2023

web amina es hija de un poderoso jeque árabe y su máximo deseo es aprender a montar a caballo algo que está prohibido para las mujeres un día conoce a tarik que la

*la cancion de amina 121 el barco de vapor roja pdf* - Apr 30 2022

web may 23 2023 la cancion de amina 121 el barco de vapor roja 2 7 downloaded from uniport edu ng on may 23 2023 by guest christians in palestine 1918 1948 at leiden

**la canción de amina el barco de vapor roja by sigrid heuck** - Nov 25 2021

web roja la canción de amina barco de vapor roja adquisitio resumen del cuento la canción de amina blog de maria la canción

de amina literatura infantil y juvenil sm de todo un

*libro la canción de amina 121 el barco de vapor roja* - Dec 07 2022

web reseña del editor la gran ilusión de amina hija de un jeque árabe es aprender a montar a caballo algo prohibido para las mujeres de su tribu un día conoce a tarik un joven

**amina song and lyrics by juicy joe spotify** - Dec 27 2021

web juicy joe song 2020

**el macro song and lyrics by amina spotify** - Jan 28 2022

web amina song 1982

**la cancion de amina 121 el barco de vapor roja pdf** - Oct 25 2021

web this online publication la cancion de amina 121 el barco de vapor roja can be one of the options to accompany you with having other time it will not waste your time say yes me

la cancion de amina 121 el barco de vapor roja pdf - Sep 04 2022

web la cancion de amina 121 el barco de vapor roja 2 8 downloaded from uniport edu ng on may 3 2023 by guest fantástica historia que ensalza el valor de la libertad iqbal

*la cancion de amina el barco de vapor roja sigrid heuck copy* - Feb 26 2022

web la cancion de amina el barco de vapor roja getting the books la cancion de amina el barco de vapor roja now is not type of inspiring means you could not unaided

*la canción de amina 121 el barco de vapor roja heuck* - Jun 13 2023

web la canción de amina 121 el barco de vapor roja de heuck sigrid en iberlibro com isbn 10 8434871130 isbn 13 9788434871137 ediciones sm 2001 tapa blanda

*la canción de amina el barco de vapor spanish edition* - Aug 03 2022

web la máxima ilusión de amina la hija de un jeque árabe es aprender a montar a caballo pero en su pueblo sólo los hombres tienen permitido hacerlo ellas deben contentarse

*la canción de amina el barco de vapor roja band 121* - Feb 09 2023

web la canción de amina el barco de vapor roja band 121 heuck sigrid amazon com tr kitap

**la canción de amina el barco de vapor roja by sigrid heuck** - Mar 10 2023

web may 30th 2020 la canción de amina 121 el barco de vapor roja de heuck sigrid y una gran selección de libros arte y artículos de colección disponible en iberlibro

**la canción de amina 121 el barco de vapor roja by sigrid** - Oct 05 2022

web 2016 catalogo edelvives 2016 pages 301 349 text version la canción de amina 121 el barco de vapor roja

tesisdedoctorado el teatro en albacete en la uned

[la canción de amina 121 el barco de vapor roja amazon es](#) - Aug 15 2023

web la canción de amina 121 el barco de vapor roja heuck sigrid varela ramos ana larriba maría jesús amazon es libros

**la cancion de amina 121 el barco de vapor roja pdf** - Jun 01 2022

web de vapor roja right here we have countless book la cancion de amina 121 el barco de vapor roja and collections to check out we additionally come up with the money for

*la cancion de amina 121 el barco de vapor roja pedro* - Nov 06 2022

web el anciano rey gracín adoraba escuchar el canto de los pjaros pero se encontraba ya muy cansado para ir al lejano bosque cuando el buhonero de anatolia entr en su palacio y

[libro la canción de amina 121 el barco de vapor roja de](#) - Jan 08 2023

web may 10 2021 la canción de amina 121 el barco de vapor roja de sigrid heuck maría jesús larriba descripción reseña del editor amina es hija de un poderoso jeque

**9788434871137 la canción de amina 121 el barco de** - Apr 11 2023

web la canción de amina de heuck sigrid y una gran selección de libros arte y artículos de colección disponible en iberlibro com 9788434871137 la canción de amina 121 el

**ebook la cancion de amina el barco de vapor roja** - Mar 30 2022

web la cancion de amina el barco de vapor roja así ayudó el buque amistad a ee uu a vivir según sus ideales mar 25 2021 web jan 12 2021 las fuerzas navales de estados

[la cancion de amina 121 el barco de vapor roja pdf](#) - Jul 02 2022

web mar 19 2023 is la cancion de amina 121 el barco de vapor roja below the life of jesus ernest renan 1871 heart of jupiter ledicia costas 2016 05 17 by the winner of the 2015

*la cancion de amina 121 el barco de vapor roja copy* - Sep 23 2021

web may 30 2023 the statement la cancion de amina 121 el barco de vapor roja that you are looking for it will unquestionably squander the time however below with you visit this

[advanced subsidiary gce unit 4722 core mathematics 2 ocr](#) - Nov 24 2021

web unit 4722 core mathematics 2 mathematics mark scheme for january 2011 ocr oxford cambridge and rsa is a leading uk awarding body providing a wide range of

[a level ocr mei maths c1 expert tuition](#) - Jun 12 2023

web download a level ocr mei maths c1 past papers mark schemes june 2017 as download paper mark scheme june 2016 as download paper mark scheme june

[mark scheme for june 2012 ocr](#) - Feb 25 2022

web mathematics advanced gce unit 4729 mechanics 2 mark scheme for june 2012 oxford cambridge and rsa examinations  
ocr oxford cambridge and rsa is a leading uk

[mark scheme for june 2012 ocr](#) - May 11 2023

web unit 4721 core mathematics 1 mark scheme for june 2012 oxford cambridge and rsa examinations ocr oxford cambridge  
and rsa is a leading uk awarding body

[ocr maths c1 may 2012 mark scheme pdf download only](#) - May 31 2022

web ocr maths c1 may 2012 mark scheme pdf upload betty e hayda textbook for students and a guide for researchers  
introduction to electrodynamics david j griffiths 2017 06 29

[mark scheme results summer 2012 pearson](#) - Apr 10 2023

web aug 16 2012 1 the total number of marks for the paper is 75 2 the edexcel mathematics mark schemes use the  
following types of marks mmarks method marks

**oxford cambridge and rsa examinations mymathscloud** - Apr 29 2022

web mathematics mei mark scheme for june 2012 mymathscloud com ocr oxford cambridge and rsa is a leading uk awarding  
body providing a wide range of any

**ocr maths c1 may 2012 mark scheme reserve lasd org** - Jan 07 2023

web 4721 core mathematics 1 june 2014 4721 01 mark scheme results january 2012 gce core mathematics c2 mark scheme  
for june 2012 ocr c1 ocr may 2017 mark

**ocr maths c1 may 2012 mark scheme** - Nov 05 2022

web jul 4 2023 ocr maths c1 may 2012 mark scheme browse the ocr maths c1 may 2012 mark scheme join that we have the  
funds for here and check out the link you could

**general certificate of secondary education unit a502 01** - Oct 24 2021

web a502 01 mark scheme november 2012 2 subject specific marking instructions 1 m marks are for using a correct method  
and are not lost for purely numerical errors a marks are

**ocr maths c1 may 2012 mark scheme inout whatcomcd** - Dec 06 2022

web ocr maths c1 may 2012 mark scheme 1 ocr maths c1 may 2012 mark scheme principles and practice of ground  
improvement a treatise on the mathematical theory

[ocr maths c1 may 2012 mark scheme copy uniport edu](#) - Mar 29 2022

web may 29 2023 ocr maths c1 may 2012 mark scheme 1 9 downloaded from uniport edu ng on may 29 2023 by guest ocr  
maths c1 may 2012 mark scheme

*gcse maths 9 1 j560 ocr* - Mar 09 2023

web mark scheme unit a501 01 mathematics a foundation tier november a501 01 pdf 438kb mark scheme unit a501 02 mathematics a higher tier november a501 02

**ocr maths c1 may 2012 mark scheme media joomlashine com** - Feb 08 2023

web may 1 2012 mark scheme for june 2012 ocr c1 ocr may 2017 mark scheme unofficial youtube mark scheme for january 2011 physics amp maths tutor

**ocrmathsc1may2012markscheme** - Sep 03 2022

web ocr maths c1 may 2012 mark scheme mathematics unit 4721 core mathematics 1 advanced subsidiary gce mark scheme for june 2015 ocr chemistry f322 chains energy

*advanced subsidiary gce unit 4751 introduction to advanced* - Oct 04 2022

web mark scheme for january 2012 ocr oxford cambridge and rsa is a leading uk awarding body providing a wide range of qualifications to meet the needs of candidates

**mark scheme for january 2012** - Dec 26 2021

web mark scheme for january 2012 ocr oxford cambridge and rsa is a leading uk awarding body providing a wide range of in some cases the nature of the errors

**mark scheme for january 2012 physics maths tutor** - Sep 22 2021

web unit 4721 core mathematics 1 mark scheme for january 2012 pmt ocr oxford cambridge and rsa is a leading uk awarding body providing a wide range of

**mark scheme for january 2012 ocr** - Jan 27 2022

web gce oxford cambridge and rsa examinations mathematics mei unit 4756 further methods for advanced mathematics advanced gce mark scheme for january 2012

**wednesday 16 may 2012 morning** - Jul 13 2023

web as gce mathematics mei 4751 introduction to advanced mathematics c1 question paper duration 1 hour 30 minutes printed answer book 4751 mei

past papers materials finder ocr - Aug 14 2023

web find past papers and mark schemes find past papers mark schemes examiner reports and practice materials to help you prepare for exams

**mark scheme for january 2012 ocr** - Jul 01 2022

web mathematics advanced subsidiary gce unit 4721 core mathematics 1 mark scheme for january 2012 oxford cambridge and rsa examinations ocr oxford cambridge and

this mark scheme consists of 4 printed pages physics maths - Aug 02 2022  
web physicsandmathstutor com ocr maths core 1 mark scheme pack 2006 2013