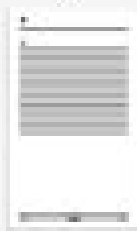


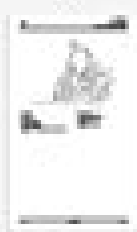
22



23



24

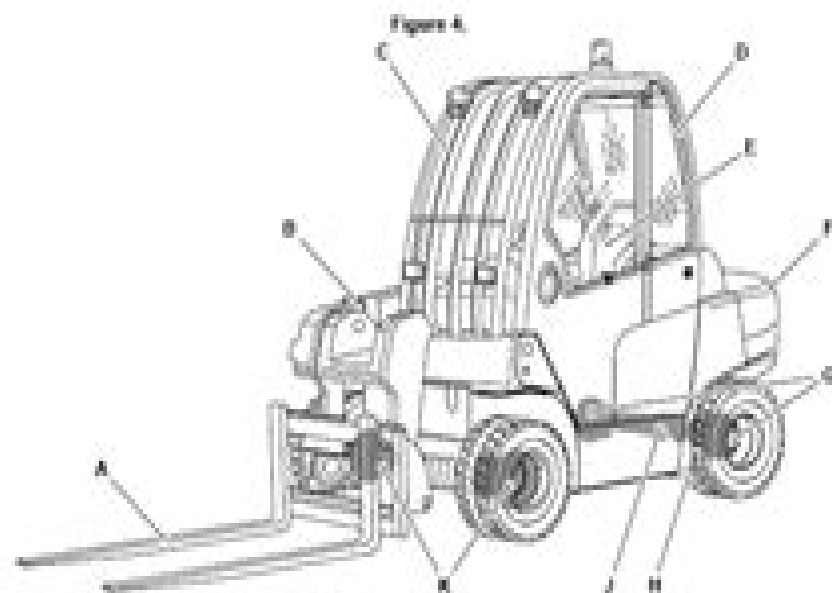


25



## 12 - Main Component Locations

### Introduction



- A** Carriage and forks  
**C** LMI (Load Moment Indicator)  
**E** Seat  
**G** Rear drive motors (if installed)  
**I** Steering axle

- B** Lift arm  
**D** Operator's enclosure  
**F** Counterweight  
**H** Transmission oil tank (right side) and diesel fuel tank (left side)  
**J** Front drive motors

# Jcb 30d Service Manual

**L Reisser**



## Jcb 30d Service Manual:

**Whitaker's Cumulative Book List** ,1948    **Current Literature** ,1957    **Whitaker's Books of the Month & Books to Come** ,1986    Truck Service Manual General Motors Corporation. Truck & Coach Division,1951    **Service manual for HD series diesel tractors** Allis-Chalmers Manufacturing Company. Industrial Service Department. Tractor Division,194?    **Service Manual** Caterpillar Tractor Company,1979    **JCB 3C MkIII Backhoe Loader (1977 onwards)** Julian Carder,2016-11-18 This Manual will cover the JCB Backhoe Loader the iconic yellow digger variants of which have now been in production for over 50 years The book will be produced with the full co operation of JCB who are likely to take approx 2 000 copies to use for promotional activity to celebrate the company s 70th anniversary in October 2015 a year of celebrations is planed running until October 2016 JCB has an extensive archive from which material will be drawn for use in the book and it is envisaged that the project vehicle will be a classic 1979 3C Backhoe Loader revered by enthusiasts and the machine that took JCB from leading British manufacturer to a global player    John Deere 318 Lawn and Garden Tractor Technical Service Repair Manual ,1991-05-15    *Service Manual* Chrysler Corporation,1989    *Truck Service Manual* Chrysler Canada ltd,19??    *Series 92 Service Manual* Detroit Diesel Corporation,1988    *Series 53 Service Manual* Detroit Diesel Corporation,1990    *John Deere 2040 Tractor Technical Service Repair Manual* ,1980-11-15    *Service Manual, 3208 Diesel Truck Engine* Caterpillar Inc,1986    **Delco Service Manual** American Bureau of Engineering,1920    **Service Manual** Crane Carrier Company,1983    Operator and Organizational Maintenance Manual ,1990    **Service Manual** Caterpillar Tractor Company,1976    *1975 - 1976 Jeep Model DJ-5D Dispatcher Service Manual* Jeep Corporation,2020-05-28 This 1975 1976 Jeep Model DJ 5D Dispatcher Service Manual is a high quality licensed PRINT reproduction of the service manual authored by Jeep Corporation and published by Detroit Iron This OEM factory manual is 8 5 x 11 inches paperback bound shrink wrapped and contains 342 pages of comprehensive mechanical instructions with detailed diagrams photos and specifications for the mechanical components of your vehicle such as the engine transmission suspension brakes fuel exhaust steering electrical and drive line Service repair manuals were originally written by the automotive manufacturer to be used by their dealership mechanics The following 1975 1976 Jeep models are covered DJ5 This factory written Detroit Iron shop manual is perfect for the restorer or anyone working on one of these vehicles

Service Manual for HD Series Diesel Tractors Allis-Chalmers Manufacturing Company,1942\*

This is likewise one of the factors by obtaining the soft documents of this **Jcb 30d Service Manual** by online. You might not require more times to spend to go to the books opening as with ease as search for them. In some cases, you likewise attain not discover the statement Jcb 30d Service Manual that you are looking for. It will utterly squander the time.

However below, in the manner of you visit this web page, it will be therefore completely easy to get as well as download lead Jcb 30d Service Manual

It will not say you will many get older as we run by before. You can attain it even though pretend something else at house and even in your workplace. fittingly easy! So, are you question? Just exercise just what we come up with the money for below as without difficulty as review **Jcb 30d Service Manual** what you next to read!

<https://splashdogs.com/book/browse/Documents/just%20curious%20english%20edition.pdf>

## **Table of Contents Jcb 30d Service Manual**

1. Understanding the eBook Jcb 30d Service Manual
  - The Rise of Digital Reading Jcb 30d Service Manual
  - Advantages of eBooks Over Traditional Books
2. Identifying Jcb 30d Service Manual
  - Exploring Different Genres
  - Considering Fiction vs. Non-Fiction
  - Determining Your Reading Goals
3. Choosing the Right eBook Platform
  - Popular eBook Platforms
  - Features to Look for in an Jcb 30d Service Manual
  - User-Friendly Interface
4. Exploring eBook Recommendations from Jcb 30d Service Manual
  - Personalized Recommendations

- Jcb 30d Service Manual User Reviews and Ratings
- Jcb 30d Service Manual and Bestseller Lists
- 5. Accessing Jcb 30d Service Manual Free and Paid eBooks
  - Jcb 30d Service Manual Public Domain eBooks
  - Jcb 30d Service Manual eBook Subscription Services
  - Jcb 30d Service Manual Budget-Friendly Options
- 6. Navigating Jcb 30d Service Manual eBook Formats
  - ePub, PDF, MOBI, and More
  - Jcb 30d Service Manual Compatibility with Devices
  - Jcb 30d Service Manual Enhanced eBook Features
- 7. Enhancing Your Reading Experience
  - Adjustable Fonts and Text Sizes of Jcb 30d Service Manual
  - Highlighting and Note-Taking Jcb 30d Service Manual
  - Interactive Elements Jcb 30d Service Manual
- 8. Staying Engaged with Jcb 30d Service Manual
  - Joining Online Reading Communities
  - Participating in Virtual Book Clubs
  - Following Authors and Publishers Jcb 30d Service Manual
- 9. Balancing eBooks and Physical Books Jcb 30d Service Manual
  - Benefits of a Digital Library
  - Creating a Diverse Reading Collection Jcb 30d Service Manual
- 10. Overcoming Reading Challenges
  - Dealing with Digital Eye Strain
  - Minimizing Distractions
  - Managing Screen Time
- 11. Cultivating a Reading Routine Jcb 30d Service Manual
  - Setting Reading Goals Jcb 30d Service Manual
  - Carving Out Dedicated Reading Time
- 12. Sourcing Reliable Information of Jcb 30d Service Manual
  - Fact-Checking eBook Content of Jcb 30d Service Manual

- Distinguishing Credible Sources
- 13. Promoting Lifelong Learning
  - Utilizing eBooks for Skill Development
  - Exploring Educational eBooks
- 14. Embracing eBook Trends
  - Integration of Multimedia Elements
  - Interactive and Gamified eBooks

### **Jcb 30d Service Manual Introduction**

In the digital age, access to information has become easier than ever before. The ability to download Jcb 30d Service Manual has revolutionized the way we consume written content. Whether you are a student looking for course material, an avid reader searching for your next favorite book, or a professional seeking research papers, the option to download Jcb 30d Service Manual has opened up a world of possibilities. Downloading Jcb 30d Service Manual provides numerous advantages over physical copies of books and documents. Firstly, it is incredibly convenient. Gone are the days of carrying around heavy textbooks or bulky folders filled with papers. With the click of a button, you can gain immediate access to valuable resources on any device. This convenience allows for efficient studying, researching, and reading on the go. Moreover, the cost-effective nature of downloading Jcb 30d Service Manual has democratized knowledge. Traditional books and academic journals can be expensive, making it difficult for individuals with limited financial resources to access information. By offering free PDF downloads, publishers and authors are enabling a wider audience to benefit from their work. This inclusivity promotes equal opportunities for learning and personal growth. There are numerous websites and platforms where individuals can download Jcb 30d Service Manual. These websites range from academic databases offering research papers and journals to online libraries with an expansive collection of books from various genres. Many authors and publishers also upload their work to specific websites, granting readers access to their content without any charge. These platforms not only provide access to existing literature but also serve as an excellent platform for undiscovered authors to share their work with the world. However, it is essential to be cautious while downloading Jcb 30d Service Manual. Some websites may offer pirated or illegally obtained copies of copyrighted material. Engaging in such activities not only violates copyright laws but also undermines the efforts of authors, publishers, and researchers. To ensure ethical downloading, it is advisable to utilize reputable websites that prioritize the legal distribution of content. When downloading Jcb 30d Service Manual, users should also consider the potential security risks associated with online platforms. Malicious actors may exploit vulnerabilities in unprotected websites to distribute malware or steal personal information. To protect themselves,

individuals should ensure their devices have reliable antivirus software installed and validate the legitimacy of the websites they are downloading from. In conclusion, the ability to download Jcb 30d Service Manual has transformed the way we access information. With the convenience, cost-effectiveness, and accessibility it offers, free PDF downloads have become a popular choice for students, researchers, and book lovers worldwide. However, it is crucial to engage in ethical downloading practices and prioritize personal security when utilizing online platforms. By doing so, individuals can make the most of the vast array of free PDF resources available and embark on a journey of continuous learning and intellectual growth.

### **FAQs About Jcb 30d Service Manual Books**

How do I know which eBook platform is the best for me? Finding the best eBook platform depends on your reading preferences and device compatibility. Research different platforms, read user reviews, and explore their features before making a choice. Are free eBooks of good quality? Yes, many reputable platforms offer high-quality free eBooks, including classics and public domain works. However, make sure to verify the source to ensure the eBook credibility. Can I read eBooks without an eReader? Absolutely! Most eBook platforms offer web-based readers or mobile apps that allow you to read eBooks on your computer, tablet, or smartphone. How do I avoid digital eye strain while reading eBooks? To prevent digital eye strain, take regular breaks, adjust the font size and background color, and ensure proper lighting while reading eBooks. What the advantage of interactive eBooks? Interactive eBooks incorporate multimedia elements, quizzes, and activities, enhancing the reader engagement and providing a more immersive learning experience. Jcb 30d Service Manual is one of the best book in our library for free trial. We provide copy of Jcb 30d Service Manual in digital format, so the resources that you find are reliable. There are also many Ebooks of related with Jcb 30d Service Manual. Where to download Jcb 30d Service Manual online for free? Are you looking for Jcb 30d Service Manual PDF? This is definitely going to save you time and cash in something you should think about.

### **Find Jcb 30d Service Manual :**

*just curious english edition*

~~junior achievement student study guide workbook answers~~

*junior achievement economics student study guide*

junior cert foundation maths paper 2011

*just kids patti smith*

[june 2divinity question paper](#)  
[justice dans la societe une justice sans fondement](#)  
[june exam paper grade 12 geography 2014](#)  
[june 2014 business studies memo of sacai](#)  
**jura impressa xs90 xs95 one touch user guide**  
[june geography paper 1 grade 11](#)  
[junior certificate examination papers](#)  
[jvc gr dvl500u manual](#)  
[june exam geography paper grade 11](#)  
[june 201bio regents answer key](#)

### Jcb 30d Service Manual :

[code version 2 0 english edition blog theupside](#) - Jan 28 2022  
web code version 2 0 english edition 5 5 second edition of this best selling volume includes nine new chapters and postscripts written by the authors of the original articles who evaluate them in the light of recent research critical discussion of research methods revised graded study questions and activities a comprehensive glossary and an up to  
**code version 2 0 wikidata** - Aug 03 2022  
web edition of code version 2 0 by lawrence lessig statements instance of version edition or translation 0 references title  
code version 2 english 1 reference library of congress control number lcn bibliographic 2007310381  
**code version 2 0 2 0 1 edition kindle edition amazon com** - Mar 10 2023  
web feb 14 2011 buy code version 2 0 read kindle store reviews amazon com code version 2 0 kindle edition by lessig  
lawrence professional technical kindle ebooks amazon com  
**code version 2 0 lawrence lessig** □□□□ - Apr 11 2023  
web code version 2 0 □□□□□□□□□□□□ under the influence of commerce cyberspace is becoming a highly regulable space where behavior is much more tightly led than in real space but that s not inevitable either we can we must choose w  
**code version 2 0 english edition download only blog theupside** - Dec 27 2021  
web code version 2 0 english edition 1 code version 2 0 english edition history of the british empire arithmetic for advanced classes sixth edition with exercises on the proposed decimal coinage british books corpus based perspectives in linguistics the bookseller lays of romance and chivalry designing and developing robust  
[code version 2 0 wikidata](#) - Sep 04 2022



web code version 2 0 q5139971 from wikidata jump to navigation jump to search book by lawrence lessig instance of written work 1 reference imported from wikimedia project english wikipedia title code version 2 english 0 references code ver 2 japanese language of work or name japanese 1 reference jpno has edition or [visual studio code august 2023](#) - Feb 09 2023

web vs code now ships with typescript 5 2 2 this major update brings new typescript language features better performance and many important improvements and bug fixes you can read about typescript 5 2 on the typescript blog [february 2022 version 1 65 visual studio code](#) - Nov 06 2022

web welcome to the february 2022 release of visual studio code new editor history navigation scope go back go forward history to editor group or single editor light high contrast theme light theme for enhanced vs code editor visibility new audio cues audio cues for warnings inline suggestions and breakpoint hits

**download visual studio code mac linux windows** - Aug 15 2023

web visual studio code is free and available on your favorite platform linux macos and windows download visual studio code to experience a redefined code editor optimized for building and debugging modern web and cloud applications

[code version 2 0 english edition by lawrence lessig](#) - Feb 26 2022

web 2 updating list of qr codes 2 0 edition downloading ibm spss statistics 26 interbase registered user downloads rescuenet code review resuscitation data analysis ems the elder scrolls v skyrim v1 5 97 0 8 special edition icd 10 version 2016 who code and other laws of cyberspace version 2 0 lessig minecraft download pc java edition

**code version 2 0 wikipedia** - Jun 13 2023

web code version 2 0 is a 2006 book by harvard law professor lawrence lessig which proposes that governments have broad regulatory powers over the internet 1 the book is released under a creative commons license cc by sa 2 5 the book

[visual studio 2022 ide programming tool for software developers](#) - Dec 07 2022

web write code using code completions debugging testing git management and cloud deployments with visual studio download community for free today

**january 2022 version 1 64 visual studio code** - Jul 02 2022

web welcome to the january 2022 release of visual studio code there are many updates in this version that we hope you will like some of the key highlights include new side panel display more views at once with the new side panel settings editor search search now prioritizes whole word matches

[code version 2 0 bibsonomy](#) - May 12 2023

web code version 2 0 l lessig basic books new york 2006 this second edition or version 2 0 of code has been prepared through the author s wiki a web site that allows readers to edit the text making this the first reader edited revision of a popular book

url codev2 cc search on google scholar microsoft bing worldcat base tags

**code version 2 0 english edition amazon com br** - Jan 08 2023

web code version 2 0 english edition 2 0 1 edição ebook kindle code version 2 0 english edition 2 0 1 edição ebook kindle edição inglês por lawrence lessig autor formato ebook kindle 9 avaliações de clientes ver todos os formatos e edições

code version 2 0 english edition 2023 - Apr 30 2022

web book code version 2 0 english edition is additionally useful you have remained in right site to start getting this info get the code version 2 0 english edition belong to that we offer here and check out the link you could buy guide code version 2 0 english edition or get it as soon as feasible you could speedily download this code version

**code version 2 0 request pdf researchgate** - Jun 01 2022

web jan 1 2006 request pdf on jan 1 2006 lawrence lessig published code version 2 0 find read and cite all the research you need on researchgate

visual studio code code editing redefined - Jul 14 2023

web visual studio code is a code editor redefined and optimized for building and debugging modern web and cloud applications visual studio code is free and available on your favorite platform linux macos and windows

**code version 2 0 english edition francis 2023** - Mar 30 2022

web we manage to pay for code version 2 0 english edition and numerous book collections from fictions to scientific research in any way in the middle of them is this code version 2 0 english edition that can be your partner building codes illustrated for elementary and secondary schools steven r winkel 2007 04 13

*visual studio code july 2022* - Oct 05 2022

web welcome to the july 2022 release of visual studio code there are many updates in this version that we hope you ll like some of the key highlights include title bar customization hide show menu bar command center or layout control fold selection create your own folded regions in the editor search multi select select and then act on

*first lessons in bach complete books i and ii for the* - Apr 14 2023

web jan 1 2007 books i and ii of this traditional edition in schirmer s library of musical classics have been combined in an affordable new volume an excellent resource for

first lessons in bach complete schirmer library of classics - Feb 12 2023

web first lessons in bach complete schirmer library of classics volume 2066 for the piano schirmer s library of musical classics 2066 softcover 4 33 avg rating 106

**first lessons in bach schirmer library of classics volume** - May 03 2022

web first lessons in bach book 1 schirmer library of classics volume 1436 piano solo bach johann sebastian amazon com tr

kitap Çerez tercihlerinizi seçin Çerez

[first lessons in bach complete by johann sebastian bach](#) - Jun 16 2023

web first lessons in bach complete books i and ii for the piano schirmer s library of musical classics schirmer library of classics volume 2066 for the piano carroll

**first lessons in bach complete books i and ii for the piano** - Jul 17 2023

web first lessons in bach complete schirmer library of classics volume 2066 for the piano schirmer s library of musical classics 2066 published january 1st 2007 by g

**first lessons in bach complete schirmer library** - Sep 19 2023

web first lessons in bach complete schirmer library of classics volume 2066 for the piano schirmer s library of musical classics 2066 published by g schirmer

[first lessons in bach 1 2 complete schirmer library of](#) - Oct 08 2022

web first lessons in bach schirmer library of classics volume 2066 for the piano schirmer s library of musical classics print replica kindle edition by johann

**first lessons in bach 28 pieces book online audio schirmer** - Apr 02 2022

web discover and share books you love on goodreads

**first lessons in bach schirmer library of classics** - Mar 01 2022

web find helpful customer reviews and review ratings for first lessons in bach complete schirmer library of classics volume 2066 for the piano schirmer s library of musical

[first lessons in bach complete schirmer library](#) - Aug 18 2023

web books i and ii of this traditional edition in schirmer s library of musical classics have been combined in an affordable new volume an excellent resource for late elementary to

[johann sebastian bach first lessons in bach 1 2](#) - Jun 04 2022

web jan 10 2018 videos about first lessons in bach complete youtube com watch v jnnrxelf1nwbook 1 no 1 0 00 book 1

*loading interface goodreads* - Nov 28 2021

**first lessons in bach complete schirmer library of classics** - Oct 28 2021

**editions of first lessons in bach complete schirmer library** - May 15 2023

web nov 1 1986 first lessons in bach complete schirmer library of classics volume 2066 for the piano schirmer s library of musical classics 2066 walter carroll 4 8 out

[first lessons in bach schirmer library of classics volume](#) - Jul 05 2022

web mar 1 2009 first lessons in bach complete schirmer library of classics volume 2066 for the piano schirmer s library of musical classics 2066 walter carroll 4 8 out

*first lessons in bach complete schirmer library of* - Nov 09 2022

web oct 9 2009 piano collection books i and ii of this traditional edition in schirmer s library of musical classics have been combined in an affordable new volume an

**first lessons in bach complete schirmer library of cl** - Sep 07 2022

web product format complete work books i and ii of this traditional edition in schirmer s library of musical classics have been combined in an affordable new

*first lessons in bach book 1 schirmer library of classics* - Mar 13 2023

web first lessons in bach complete for the piano schirmer s library of musical classics schirmer library of classics volume 2066 for the piano bach johann sebastian

*first lessons in bach complete for the piano* - Jan 11 2023

web jan 1 2007 books i and ii of this traditional edition in schirmer s library of musical classics have been combined in an affordable new volume an excellent resource for

*first lessons in bach book 1 schirmer library of classics* - Dec 30 2021

[first lessons in bach complete youtube](#) - Jan 31 2022

**first lessons in bach complete books i and ii google books** - Aug 06 2022

web first lessons in bach schirmer library of classics volume 2066 for the piano schirmer s library of musical classics print replica kindle edition by johann

[first lessons in bach complete abebooks](#) - Dec 10 2022

web johann sebastian bach composer walter carroll editor 4 33 106 ratings2 reviews piano collection books i and ii of this traditional edition in schirmer s library of

[applied cost engineering worldcat org](#) - Mar 14 2023

web applied cost engineering authors forrest d clark a b lorenzoni michael jimenez summary this thoroughly rewritten and updated third edition of a unique reference text offers comprehensive coverage of cost engineering emphasizing capital projects and focusing on both estimating and cost control

*tuition fee amounts anasayfa* - May 04 2022

web civil engineering 463 231 5 231 5 architecture 463 231 5 231 5 mechanical engineering 463 231 5 231 5 electrical electronics 463 231 5 231 5 mining 463 231 5 231 5 chemistry metallurgy 463 231 5 231 5 aeronautics astronautics 463 231 5 231 5 computer and informatics 463 231 5 231 5 management 480 240 240

*cost tÜrkiye bilimsel ve teknolojik arařtırma* - Aug 07 2022

web cost aksiyonları kapsamında yönetim komitesi ve Çalışma grubu toplantıları çalıştaylar bilimsel konferanslar bilimsel kurslar kısa süreli bilimsel ziyaretler ve aksiyonlar kapsamında yürütölen çalışmalar sonucu çıkan yayınlar için maddi destek sağlanmaktadır cost kuruluşu resmi internet sitesi için tıklayınız

**applied cost engineering 3rd edition forrest clark routledge** - Aug 19 2023

web description this thoroughly rewritten and updated third edition offers comprehensive coverage of cost engineering emphasizing capital projects and focusing on both estimating and cost control

**about aace aace international** - Oct 09 2022

web about aace established in 1956 aace international is the association for the advancement of cost engineering together with the aace international certification institute it serves over 10 000 members and certificants in 100 countries

**cost engineering wikipedia** - May 16 2023

web cost engineering is the engineering practice devoted to the management of project cost involving such activities as estimating cost control cost forecasting investment appraisal and risk analysis cost engineers budget plan and monitor investment projects

applied cost engineering by forrest clark overdrive - Jul 06 2022

web nov 5 1996 this thoroughly rewritten and updated third edition offers comprehensive coverage of cost engineering emphasizing capital projects and focusing on both estimating and cost control maintaining and enhancing the style of presentation that made the

**applied cost engineering clark forrest lorenzoni a b** - Jan 12 2023

web nov 5 1996 paperback 22 39 118 85 8 used from 22 39 9 new from 114 08 this thoroughly rewritten and updated third edition offers comprehensive coverage of cost engineering emphasizing capital projects and focusing on

**applied cost engineering forrest clark a b lorenzoni taylor** - Jul 18 2023

web nov 4 1996 abstract this thoroughly rewritten and updated third edition offers comprehensive coverage of cost engineering emphasizing capital projects and focusing on both estimating and cost control maintaining and enhancing the style of presentation that made the previous editions so popular applied cost engineering third edition

applied cost engineering ciltli kapak 5 kasım 1996 - Nov 10 2022

web applied cost engineering clark forrest lorenzoni a b amazon com tr kitap

**pdf applied cost engineering by forrest clark perlego** - Jun 05 2022

web maintaining and enhancing the style of presentation that made the previous editions so popular applied cost engineering third edition furnishes an entirely new and cost effective approach to estimating and controlling contingency a new chapter on systems and computer applications a new chapter on bulk material control expanded coverage of project cost estimating budgeting and value engineering skills - Dec 31 2021

web jun 25 2023 framework for applying value engineering in projects defining value and value engineering concepts and principles how and when is value engineering applied project definition through stakeholder analysis and management team player styles identifying relationships between value cost and worth overview of different value

**making cost engineering count mckinsey** - Apr 15 2023

web jul 23 2019 to capture the full value potential of cost engineering a fundamental mindset shift is required what is cost engineering we believe that companies should take a comprehensive perspective to cost engineering one that goes beyond attempts to reduce the purchase or manufacturing cost of individual components

**applied cost engineering clark forrest d 1923 free** - Dec 11 2022

web applied cost engineering by clark forrest d 1923 publication date 1978 topics cost control costs industrial kostenkontrolle publisher new york m dekker

**applied cost engineering forrest d clark a b lorenzoni** - Feb 13 2023

web maintaining and enhancing the style of presentation that made the previous editions so popular applied cost engineering third edition furnishes an entirely new and cost effective approach to estimating and controlling contingency a new chapter on systems and computer applications a new chapter on bulk material control expanded coverage of

**applied cost engineering third edition google books** - Jun 17 2023

web nov 5 1996 this thoroughly rewritten and updated third edition offers comprehensive coverage of cost engineering emphasizing capital projects and focusing on both estimating and cost control

*tuition fees acibadem Üniversitesi acibadem edu tr* - Apr 03 2022

web international students tuition fees degree faculty program language fee vat included undergraduate degree school of medicine medicine english 30 000 usd faculty of pharmacy pharmacy english 15 000 usd faculty of engineering and natural sciences biomedical

**cost türkiye bilimsel ve teknolojik araştırma** - Feb 01 2022

web cost aksiyon önerileri zahmetli ve uzmanlık gerektiren bir süreçtir Şimdiye dek türkiye den iki araştırmacının aksiyon önerisi cost tarafından kabul edilmiştir ancak kurallarına uygun sunulduğu sürece başvurunuzun onaylanma şansı her daim bulunmaktadır TÜBİTAK olarak gerekli desteği vermekten memnuniyet duyarız 7

*applied cost engineering by forrest d clark open library - Sep 08 2022*

web jan 14 2023 pages 352 previews available in english subjects cost control costs industrial engineering engineering economy estimates industrial costs

**quotas and tuition fees international relations directorate - Mar 02 2022**

web mechanical engineering 4 30 english 5 885 vadi İstanbul computer engineering 4 60 english 5 885 vadi İstanbul

computer engineering 4 60 turkish 5 885 vadi İstanbul electrical and electronics engineering 4 40 english 5 885 vadi İstanbul

industrial engineering 4 60 english 5 885 vadi İstanbul biomedical