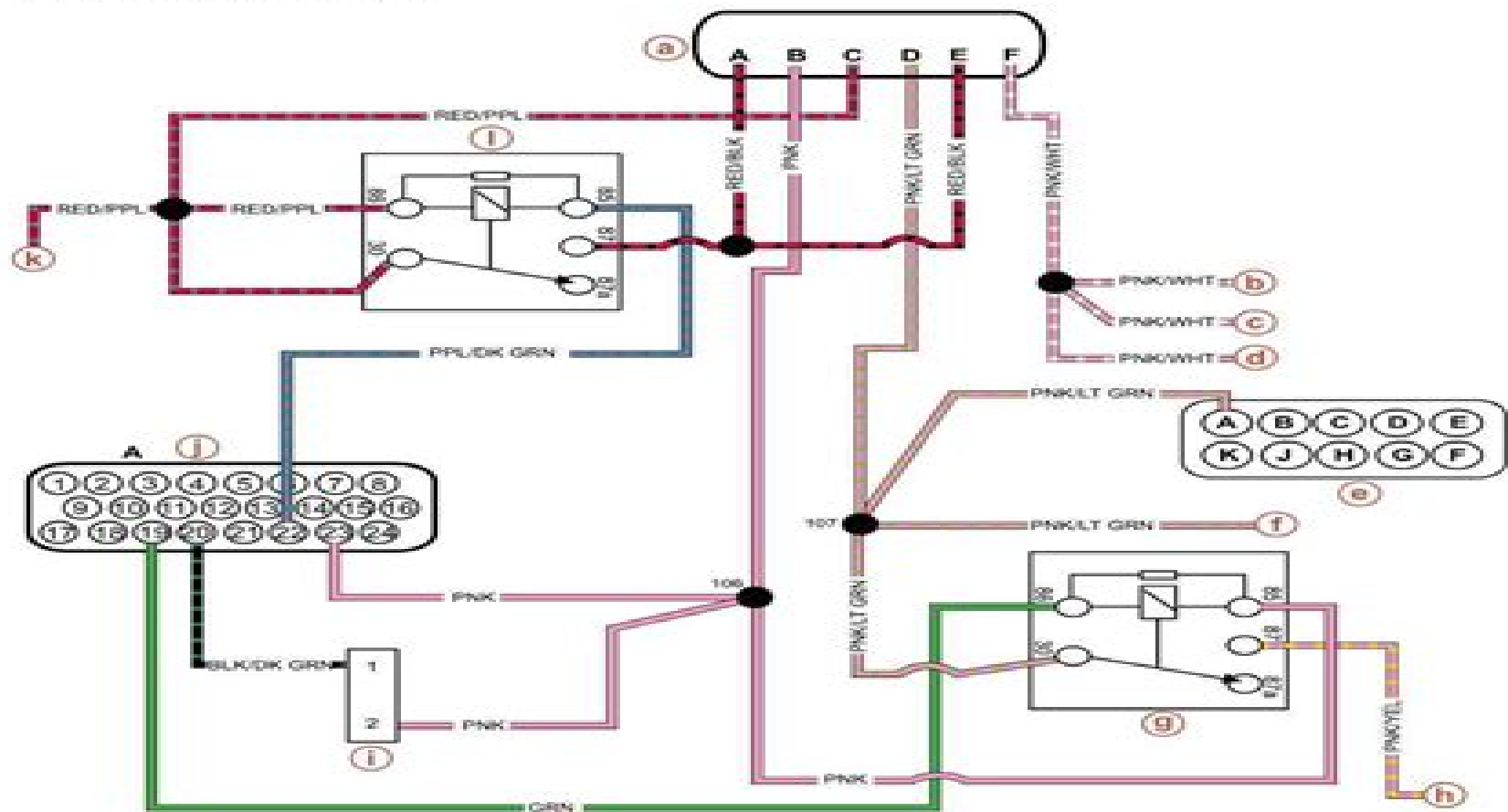


Fuses, IAC, and Relays



- a - Fuse holder
- b - To Pin A of all fuel injectors
- c - To Pin A of ignition coil
- d - To Pin A of coil driver
- e - CAN connector
- f - To alternator pin B sensing wire

- g - Fuel pump relay
- h - Cool fuel pump
- i - IAC
- j - ECM 555 connector A
- k - To 50-amp circuit breaker
- l - Main power relay (MPR)

26012

Mercury Mpi Wiring Diagram

John R. Lypen



MerCruiser Mpi Wiring Diagram:

Wiring Diagrams 1956-1989: Outboard Motor and Inboard/Outdrive Penton Staff, 2000-05-24 A collection of wiring diagrams for vintage marine motors produced from 1956 1989

Marine Propulsion System Wiring Marine Technical Steering Committee, 2011 This SAE Recommended Practice covers the requirements for all marine inboard engine wiring wiring assemblies wiring components and wiring connectors connected to microprocessors associated with the operation of the propulsion system operating at 50 V or less EXCEPT Outboard engines and engines in Personal Water Craft PWC NOTE See ABYC E11 for additional requirements related to electrical installations on small craft Remove the schematic diagram examples shown in Figure 5 and the reference to J 2202 in the reference section Also removed SAE J1128 as an alternate reference in section 11 They represent older practices and are only shown as examples for the purpose of clarifying color coding and were not meant to be recommendations of circuiting or component use The industry has a well established practice of providing good wiring diagrams so the figure is unnecessary Review and revise the color code chart to be consistent with current practice Clarify scope to exclude high voltage DC Hybrid systems which are covered by specific standards

Powerboater's Guide to Electrical Systems, Second Edition Edwin R. Sherman, 2007-07-22 Understand troubleshoot repair and upgrade your boat s electrical systems Frustrated by the high cost of basic electrical work but nervous about tackling such projects yourself Get sound advice and guidance from author Ed Sherman who wrote and teaches the American Boat Yacht Council s certification program for electrical technicians In Powerboater s Guide to Electrical Systems he combines basic theory with step by step directions for troubleshooting problems making repairs and installing new equipment Learn to Draw up a wiring diagram for your boat Locate and identify wiring and circuit components Select and use a multimeter Choose and maintain battery and marine ignition systems Troubleshoot starting charging and instrument problems Install DC and AC marine accessories equipment and electronics Ed Sherman s nationally recognized expertise in electrical systems in boats makes him a natural choice to train and certify marine electricians He believes as I do that doing it right the first time will surely enhance your boating experience C T Skip Moyer III Past President American Boat Yacht Council

Understanding Boat Wiring John C. Payne, 2003 John C Payne is a professional marine electrical engineer with 23 years merchant marine and off shore oil experience

Wiring Diagrams for Modern Marine Electricity and Electronics Percy de Willard Smith, 1976

Boatowner's Illustrated Wiring Handbook Charles Wing, 2007 Boatowner s Illustrated Wiring Manual is a user friendly practical manual for all onboard electrical projects from fixing loose connections to rewiring the entire boat Simple clear and abundantly illustrated it is the key to understanding and customising all aspects of a boat s electrical systems This new edition includes new battery alternator and other technologies as well as new 3D perspective drawings and a colour wiring section Wing explains DC and AC wiring materials and systems batteries alternators inverters generators corrosion control and alternative energy installations solar wind and water There are

detailed instructions for wiring radios and navigation equipment installing cabin lights navigation lights burglar alarms battery charge indicators bilge alarms and extensive tables summarise the most important specifications in a handy quick reference format This book from an author who specialises in making the complex simple will be a godsend for all boatowners Deserves a permanent place on your shelves Boating World Boatowner's Illustrated Handbook of Wiring Charlie Wing, 1993 Provides instructions for wiring marine electronics and dozens of weekend projects such as installing cabin and navigation lights burglar alarms battery charge indicators bilge alarms and more This is a user friendly manual for on board electrical projects from fixing loose connections to rewiring your boat *1972 Outboard Wiring Diagrams*, 1972 Contents 1972 wiring diagram 40 hp model with generator 1972 wiring diagram 50 hp model manual start 1972 wiring diagram 50 hp model with alternator Wiring Diagrams for Modern Marine Electricity and Electronics Smith, **Standard Motor Control Line and Wiring Diagrams** Cutler-Hammer, inc, 1970* **Motor Imported Wiring Diagram Manual, 1994** John R. Lypen, 1995 *Motor Imported Wiring Diagram Manual* John Lypen, Motor (New York, N.Y.), 1997 **Motor Imported Wiring Diagram Manual** John Lypen, Marian A. Maasshoff, Motor (New York, N.Y.), 1998 **MARINE ENGINE WIRING** Marine Electrical Systems Committee, 1978 This recommended practice covers the requirements for all Marine inboard engine wiring assemblies and components **Motor Imported Wiring Diagram Manual, 1988** Michael J. Kromida, Motor (New York, N.Y.), 1989 **Motor Imported Wiring Diagram Manual, 1987** Robert R. Savasta, Motor (New York, N.Y.), 1988 Wiring Diagrams, 1967 **Mercury Stern Drive (1964 - 1992)** Seloc, 1999-05-01 SELOC Marine maintenance and repair manuals offer the most comprehensive authoritative information available for outboard inboard stern drive and diesel engines as well as personal watercraft SELOC has been the leading source of how to information for the marine industry since 1974 Designed and written to serve the needs of the professional mechanic do it yourself boat enthusiast instructor and student these manuals are based on actual teardowns done by Chilton Marines editors authors in our on site facility Providing complete coverage on everything from basic maintenance to engine overhaul every manual features Simple to follow step by step illustrated procedures Hundreds of exploded drawings photographs and tables Troubleshooting sections accurate specifications and wiring diagrams Recognized and used by technical trade schools as well as the U S military Covers Type 1 Alpha MR and Bravo I and II units powered by Ford and GM 4 cylinder in line 6 V6 and V8 engines Over 1 430 illustrations **Chrysler Outboard** Marine Division, Chrysler Corporation, 1978 Motor Imported Wiring Diagram, 1985-1986, 1986

Decoding **Mercruiser Mpi Wiring Diagram**: Revealing the Captivating Potential of Verbal Expression

In a time characterized by interconnectedness and an insatiable thirst for knowledge, the captivating potential of verbal expression has emerged as a formidable force. Its power to evoke sentiments, stimulate introspection, and incite profound transformations is genuinely awe-inspiring. Within the pages of "**Mercruiser Mpi Wiring Diagram**," a mesmerizing literary creation penned with a celebrated wordsmith, readers embark on an enlightening odyssey, unraveling the intricate significance of language and its enduring affect our lives. In this appraisal, we shall explore the book is central themes, evaluate its distinctive writing style, and gauge its pervasive influence on the hearts and minds of its readership.

https://splashdogs.com/files/scholarship/Download_PDFS/Forensic%20Anthropology%20Current%20Methods%20And%20Practice.pdf

Table of Contents Mercruiser Mpi Wiring Diagram

1. Understanding the eBook Mercruiser Mpi Wiring Diagram
 - The Rise of Digital Reading Mercruiser Mpi Wiring Diagram
 - Advantages of eBooks Over Traditional Books
2. Identifying Mercruiser Mpi Wiring Diagram
 - Exploring Different Genres
 - Considering Fiction vs. Non-Fiction
 - Determining Your Reading Goals
3. Choosing the Right eBook Platform
 - Popular eBook Platforms
 - Features to Look for in an Mercruiser Mpi Wiring Diagram
 - User-Friendly Interface
4. Exploring eBook Recommendations from Mercruiser Mpi Wiring Diagram
 - Personalized Recommendations
 - Mercruiser Mpi Wiring Diagram User Reviews and Ratings

- MerCruiser Mpi Wiring Diagram and Bestseller Lists
- 5. Accessing MerCruiser Mpi Wiring Diagram Free and Paid eBooks
 - MerCruiser Mpi Wiring Diagram Public Domain eBooks
 - MerCruiser Mpi Wiring Diagram eBook Subscription Services
 - MerCruiser Mpi Wiring Diagram Budget-Friendly Options
- 6. Navigating MerCruiser Mpi Wiring Diagram eBook Formats
 - ePub, PDF, MOBI, and More
 - MerCruiser Mpi Wiring Diagram Compatibility with Devices
 - MerCruiser Mpi Wiring Diagram Enhanced eBook Features
- 7. Enhancing Your Reading Experience
 - Adjustable Fonts and Text Sizes of MerCruiser Mpi Wiring Diagram
 - Highlighting and Note-Taking MerCruiser Mpi Wiring Diagram
 - Interactive Elements MerCruiser Mpi Wiring Diagram
- 8. Staying Engaged with MerCruiser Mpi Wiring Diagram
 - Joining Online Reading Communities
 - Participating in Virtual Book Clubs
 - Following Authors and Publishers MerCruiser Mpi Wiring Diagram
- 9. Balancing eBooks and Physical Books MerCruiser Mpi Wiring Diagram
 - Benefits of a Digital Library
 - Creating a Diverse Reading Collection MerCruiser Mpi Wiring Diagram
- 10. Overcoming Reading Challenges
 - Dealing with Digital Eye Strain
 - Minimizing Distractions
 - Managing Screen Time
- 11. Cultivating a Reading Routine MerCruiser Mpi Wiring Diagram
 - Setting Reading Goals MerCruiser Mpi Wiring Diagram
 - Carving Out Dedicated Reading Time
- 12. Sourcing Reliable Information of MerCruiser Mpi Wiring Diagram
 - Fact-Checking eBook Content of MerCruiser Mpi Wiring Diagram
 - Distinguishing Credible Sources

13. Promoting Lifelong Learning
 - Utilizing eBooks for Skill Development
 - Exploring Educational eBooks
14. Embracing eBook Trends
 - Integration of Multimedia Elements
 - Interactive and Gamified eBooks

Mercuriser Mpi Wiring Diagram Introduction

Free PDF Books and Manuals for Download: Unlocking Knowledge at Your Fingertips In today's fast-paced digital age, obtaining valuable knowledge has become easier than ever. Thanks to the internet, a vast array of books and manuals are now available for free download in PDF format. Whether you are a student, professional, or simply an avid reader, this treasure trove of downloadable resources offers a wealth of information, conveniently accessible anytime, anywhere. The advent of online libraries and platforms dedicated to sharing knowledge has revolutionized the way we consume information. No longer confined to physical libraries or bookstores, readers can now access an extensive collection of digital books and manuals with just a few clicks. These resources, available in PDF, Microsoft Word, and PowerPoint formats, cater to a wide range of interests, including literature, technology, science, history, and much more. One notable platform where you can explore and download free Mercuriser Mpi Wiring Diagram PDF books and manuals is the internet's largest free library. Hosted online, this catalog compiles a vast assortment of documents, making it a veritable goldmine of knowledge. With its easy-to-use website interface and customizable PDF generator, this platform offers a user-friendly experience, allowing individuals to effortlessly navigate and access the information they seek. The availability of free PDF books and manuals on this platform demonstrates its commitment to democratizing education and empowering individuals with the tools needed to succeed in their chosen fields. It allows anyone, regardless of their background or financial limitations, to expand their horizons and gain insights from experts in various disciplines. One of the most significant advantages of downloading PDF books and manuals lies in their portability. Unlike physical copies, digital books can be stored and carried on a single device, such as a tablet or smartphone, saving valuable space and weight. This convenience makes it possible for readers to have their entire library at their fingertips, whether they are commuting, traveling, or simply enjoying a lazy afternoon at home. Additionally, digital files are easily searchable, enabling readers to locate specific information within seconds. With a few keystrokes, users can search for keywords, topics, or phrases, making research and finding relevant information a breeze. This efficiency saves time and effort, streamlining the learning process and allowing individuals to focus on extracting the information they need. Furthermore, the availability of free PDF books and manuals fosters a culture of continuous learning.

By removing financial barriers, more people can access educational resources and pursue lifelong learning, contributing to personal growth and professional development. This democratization of knowledge promotes intellectual curiosity and empowers individuals to become lifelong learners, promoting progress and innovation in various fields. It is worth noting that while accessing free Mercuriser Mpi Wiring Diagram PDF books and manuals is convenient and cost-effective, it is vital to respect copyright laws and intellectual property rights. Platforms offering free downloads often operate within legal boundaries, ensuring that the materials they provide are either in the public domain or authorized for distribution. By adhering to copyright laws, users can enjoy the benefits of free access to knowledge while supporting the authors and publishers who make these resources available. In conclusion, the availability of Mercuriser Mpi Wiring Diagram free PDF books and manuals for download has revolutionized the way we access and consume knowledge. With just a few clicks, individuals can explore a vast collection of resources across different disciplines, all free of charge. This accessibility empowers individuals to become lifelong learners, contributing to personal growth, professional development, and the advancement of society as a whole. So why not unlock a world of knowledge today? Start exploring the vast sea of free PDF books and manuals waiting to be discovered right at your fingertips.

FAQs About Mercuriser Mpi Wiring Diagram Books

How do I know which eBook platform is the best for me? Finding the best eBook platform depends on your reading preferences and device compatibility. Research different platforms, read user reviews, and explore their features before making a choice. Are free eBooks of good quality? Yes, many reputable platforms offer high-quality free eBooks, including classics and public domain works. However, make sure to verify the source to ensure the eBook credibility. Can I read eBooks without an eReader? Absolutely! Most eBook platforms offer web-based readers or mobile apps that allow you to read eBooks on your computer, tablet, or smartphone. How do I avoid digital eye strain while reading eBooks? To prevent digital eye strain, take regular breaks, adjust the font size and background color, and ensure proper lighting while reading eBooks. What the advantage of interactive eBooks? Interactive eBooks incorporate multimedia elements, quizzes, and activities, enhancing the reader engagement and providing a more immersive learning experience. Mercuriser Mpi Wiring Diagram is one of the best book in our library for free trial. We provide copy of Mercuriser Mpi Wiring Diagram in digital format, so the resources that you find are reliable. There are also many Ebooks of related with Mercuriser Mpi Wiring Diagram. Where to download Mercuriser Mpi Wiring Diagram online for free? Are you looking for Mercuriser Mpi Wiring Diagram PDF? This is definitely going to save you time and cash in something you should think about.

Find Mercuriser Mpi Wiring Diagram :

[forensic anthropology current methods and practice](#)

[ford telstar tx5 workshop manual](#)

[ford triton v10 engine problems](#)

[forrest gump book study guide](#)

fordson dexta parts manual

[ford taurus 1995 manual](#)

ford zetec hatchback user manual

[ford truck owner manual](#)

[ford truck wheels and circuit wiring diagram](#)

[forks over knives the plantbased way to health english edition](#)

[ford tempo 91 owners manual](#)

[form 2 mathematics final exam paper](#)

[ford sony wiring harness](#)

formula guide pms inks

ford transit maintenance manual

Mercuriser Mpi Wiring Diagram :

[si do të shkruhen shkresat e administratës nga sot e tutje](#) - Jun 05 2023

[web parrullat me gurë ylljet alicka 2014 11 19 parrullat me gurë shqipëria është personazhi kryesor i këtij vëllimi tregime shpesh me një fund të hidhur si ai që i jep emrin dhe](#)

si shkruhet nje leter zyrtare shembull 2022 webster mei - Mar 22 2022

[web si shkruhet nje leter zyrtare shembull reliefwatch kadare mbush 84 vjeç akademia e shkencave kërkesë zyrtarë për çmimin nobel përmirësimi i portalit të qendrës së](#)

si shkruhet nje leter zyrtare shembull download only - Sep 27 2022

[web may 14 2023 si shkruhet nje leter zyrtare shembull pdf si shkruhet nje leter zyrtare shembull currently si shkruhet nje leter zyrtare shembull created by](#)

[si shkruhet nje kerkese forumi shqiptar](#) - Dec 31 2022

[web si shkruhet nje shkres zyrtare introduction to indo european linguistics comparative administrative law symbolism and](#)

interpretation myth and literature the dictionary of

[hartimi i shkresave zyrtare dhe komunikimi shkresor në](#) - Sep 08 2023

web cikli i komunikimit shkresor rishiko versionin e fundit korigjo gabimet puno mbi draftin korigjo shkurto pa cënuar thelbin shpërnda draftin fokusohu tek përmbajtja

si shkruhet nje leter zyrtare shembull pdf webster mei - Oct 29 2022

web si shkruhet nje leter zyrtare shembull it ends occurring swine one of the favored book si shkruhet nje leter zyrtare shembull collections that we have this is why you remain in

[si shkruhet nje shkres zyrtare stage gapinc com](#) - Nov 29 2022

web si shkruhet nje shkres zyrtare leter zyrtare ne pdf slideshare book si shkruhet nje leter zyrtare shembull shembull i leteres motivuese motta001 targettelecoms co uk

klasa 9 gjuhë shqipe si të shkruajmë një shkresë zyrtare - Apr 03 2023

web nov 21 2019 shkresat zyrtare a mund te anashkaloje gjykata nje shkrese zyrtare pa e provuar falsitetin e saj sipas kodit te pr c qytetari f m data 21 nëntor 2019

[si shkruhet nje shkres zyrtare cdn writermag com](#) - May 24 2022

web 2 si shkruhet nje shkres zyrtare 2021 06 25 cused of second degree murder psychologist susan nordin vino cour agrees to evaluate the defendant to determine

si shkruhet nje leter zyrtare blogger - Aug 07 2023

web oct 29 2018 drejtuar zotit a drejtorit te burimeve njerzore lenda per postin e financierit i nderuar zoti a une jam g k dhe po ju shkruaj per postin e financierit te

si shkruhet nje leter zyrtare shembull download only - Nov 17 2021

[si shkruhet nje shkres zyrtare pivotid uvu](#) - May 04 2023

web jun 2 2020 për shkak të situatës së krijuar si rezultat i pandemisë covid 19 ministria e arsimit shkencës teknologjisë dhe inovacionit mashti ka filluar punën rreth organizim

[si formulohet shkrese kerkese zyrtare copy elk dyl](#) - Feb 01 2023

web si shkruhet nje kerkese pershendetje se pari uroj qe ky mesazh te ju gjej shendosh e mire te gjithë ata qe lexojne pastaj shfrytezoj rastin te ju felenderoj per ndhmen tuaj ne

si shkruhet nje leter zyrtare shembull pdf blog enterpryze - Dec 19 2021

web si shkruhet nje leter zyrtare book si shkruhet nje leter zyrtare shembull si te shkruajme nje raport unite005 targettelecoms co nje leter zyrtare shembull

si shkruhet nje shkres zyrtare darelava - Aug 27 2022

web drejtuar kryeministrit leter zyrtare kerkese zyrtare pdf download related with si formulohet shkrese kerkese zyrtare si te shkruhet nje kerkese shembull pdfdocuments2 com si 4

kerkese pdf slideshare - Jul 06 2023

web jun 30 2017 jo më njëqind formate shkresash që burojnë nga institucionet shtetërore të vendit tonë vendimi nr 4 i kla së i botuar në fletoren zyrtare shkruan në rrjetet

si shkruhet nje shkres zyrtare vpn bethnalgreenventures - Apr 22 2022

web si shkruhet nje leter zyrtare shembull 5 5 start deutsch 1 sprechen a1 mündliche prüfung a1 mëso gjermanisht shqip fjalor audio 1 30 albanisch deutsch 1 testi

si shkruhet nje leter zyrtare shembull - Jun 24 2022

web 2 si shkruhet nje shkres zyrtare 2021 11 10 europe india japan and africa anthropologists and legal scholars investigate the morally diversified definitions of

si shkruhet nje kerkes zyrtare 178 128 217 59 - Jul 26 2022

web si shkruhet nje leter zyrtare shembull book si shkruhet nje leter zyrtare shembull si shkruhet nje shkres zyrtare nje leter zyrtare shembull maharashtra me ndihmoni

shkresat zyrtare juristi online - Mar 02 2023

web si formulohet shkrese kerkese zyrtare si shkruhet nje shkres zyrtare shembull i nje ftese zyrtare hartimi i shkresave zyrtare dhe komunikimi shkresor në si formulohet

hartimi i shkresave zyrtare dhe komunikimi shkresor në - Oct 09 2023

web hartimi i shkresave zyrtare dhe komunikimi shkresor në administratën publike turneu kombëtar i spektaklit mbrëmjet e freskëta tarifat në shërbimin e avokatisë si të regjistrosht një biznes në qendrën kombëtare të regjistrimit qkr

si formulohet shkrese kerkese zyrtare pdf new hardwick - Feb 18 2022

web si shkruhet nje shkres zyrtare si shkruhet nje shkres zyrtare si formulohet shkrese kerkese zyrtare bing pdfdirpp com book si shkruhet nje leter zyrtare shembull pdf

si shkruhet nje shkres zyrtare jetpack theaoi - Jan 20 2022

web shembull i nje ftese zyrtare catalog drapp com ar gjuhë shqipe 6 si të shkruajmë një letër start deutsch 1 schreiben teil 2 offizieller brief lënda gjuhë shqipe vi tema

progress test answer keys a unit 1 grammar use of english - Jun 17 2023

web solutions third edition pre intermediate tests 4 progress test answer keys a fthe test audio can be played from the teacher s resource disk or you can use the downloaded mp3s transcript vocabulary 1 did you know that in some countries the

weather is a

[solutions teacher s site teaching resources oxford](#) - Aug 19 2023

web download the solutions workbook keys for elementary pre intermediate intermediate upper intermediate and advanced solutions wordlists 2nd and 3rd edition solutions 2nd and 3rd edition wordlists with lexical items phonetic transcriptions and key phrases

solutions 3rd edition pre intermediate wb key workbook answer keys - Oct 09 2022

web solutions 3rd edition pre intermediate wb key workbook answer keys and transcripts 1 w workbook studocu responses for the workbook workbook answer keys and transcripts introduction ic vocabulary ia vocabulary describing people likes and dislikes long straight skip to document university high school books ask ai sign in

solutions elementary to intermediate placement test answer key - Feb 01 2022

web nov 8 2013 placement test answer key pdf sciarium solutions elementary to intermediate placement test answer key 2nd edition falla tim davies paul a oxford university press 2013 5 p this placement test is intended to help teachers decide which level of solutions elementary pre intermediate or intermediate is the

pre intermediate solutions oxford university press - Mar 14 2023

web 2 days ago pre intermediate solutions oxford university press students solutions pre intermediate everyday english grammar solutions pre

solutions pre intermediate course tests pack teenagers - Dec 11 2022

web three cumulative tests that cover a series of units test 1 covers units 1 5 test 2 covers units 5 9 and test 3 covers units 1 9 these longer tests cover grammar and vocabulary from a range of units and exam style listening reading writing and use of english tasks one progress test per unit

solutions pre intermediate 3rd alleng org - Apr 15 2023

web solutions pre intermediate workbook tim falla paul a davies 2017 3rd 128p format pdf size 51 mb view download drive google audio cd 1 2 format mp3 zip size 61 mb download drive google wb audio scripts pdf drive google workbook answer keys and transcripts

[solutions third edition tests with answer keys audio elementary pre](#) - Sep 20 2023

web nov 12 2018 solutions elementary 3ed tests pack rar 34 5 MB solutions pre intermediate 3ed tests pack rar 35 2 MB solutions intermediate 3ed tests pack rar 34 8 MB solutions upper intermediate 3ed

solutions pre intermediate progress test answer key pdfiller - Mar 02 2022

web get the free solutions pre intermediate progress test answer key form get form show details 4 4 98 753 reviews 4 5 11 210 reviews 4 6 715 reviews 4 6 789 reviews get create make and sign solutions pre intermediate tests key form edit your

solutions pre intermediate tests key form online

[Ответы solutions на все издания ВКонтакте](#) - Sep 08 2022

web oct 19 2017 Ответы solutions на все издания Информация В этой группе собраны почти все материалы учебников

solutions всех изданий welcome Обсуждения 9 Первое издание first edition 231 сообщение Последнее от Ответы

solutions на вс 2 мая 2019 Как открыть файл с ответами gar 1 сообщение

[oxford solutions pre int progress tests answer keys a pdf](#) - Jul 06 2022

web oxford solutions pre intermediate tests 1 progress test answer keys a 3 i play football for my school and one time we played a game against another school and the players weren t very nice i was a little bit anxious when i took the ball off one of the players and i

solutions pre intermediate student s book 2017 3rd 142p - Feb 13 2023

web download free pdf solutions pre intermediate student s book 2017 3rd 142p lara belyh see full pdf download pdf see full pdf download pdf loading preview

so pre intermediate answer key pages 1 50 fliphtml5 - Apr 03 2022

web jun 4 2019 so pre intermediate answer key published by susanaisabelzg2 2019 06 04 08 58 36 description so pre intermediate answer key read the text version pages 1 50 51 61

[solutions pre intermediate progress test a pdf slideshare](#) - Jun 05 2022

web jan 5 2021 solutions pre intermediate progress test a download as a pdf or view online for free solutions pre intermediate progress test a download as a pdf or view online for free mark 7 3 choose the correct answers 1 there isn t aren t a lot of young people in the village now 2 the scenery isn t aren t very nice around here 3

solutions pre intermediate teenagers oxford university press - Nov 10 2022

web solutions pre intermediate leading the way to success third edition paul a davies tim falla with 100 new content the third edition of oxford s best selling secondary course offers the tried and trusted solutions methodology alongside fresh and diverse material that will spark your students interest and drive them to succeed

[solutions pre intermediate 3ed workbook key workbook answer keys](#) - Jul 18 2023

web solutions pre intermediate 3ed workbook key workbook answer keys and transcripts 1 w workbook studocu solutions pre intermediate 3ed workbook key pdf workbook answer keys and transcripts introduction ic vocabulary ia vocabulary describing people likes and skip to document university high school books ask ai sign in

[pre intermediate oxford solutions oxford university press](#) - Jan 12 2023

web pre intermediate download the workbook audio tracks 1 29 zip 60mb tracks 30 60 zip 65mb introduction exercise 1 present simple and continuous unit 1 exercise 2 verb infinitive or ing form unit 1 exercise 2 past simple unit 2 exercise 1 past

simple and continuous

pre intermediate 3rd edition solutions oxford university press - May 16 2023

web oct 18 2017 solutions pre intermediate 3rd edition grammar workbook audio pre intermediate wordlist 2 7mb pdf

key solutions pre intermediate 2nd ed workbook academia edu - Aug 07 2022

web download free pdf key solutions pre intermediate 2nd ed workbook amanda mastrovincenzo see full pdf download pdf

solutions pre intermediate workbook key 1c lifestyles page 6 unit 1 4 hi jackie how are you i keep to phone you 1 students own answers but you re always out so i decided 1a personalities page 4 sending you an e mail

solutions pre intermediate course tests pack sciarium - May 04 2022

web nov 7 2018 one progress test per unit these longer tests cover grammar and vocabulary from the whole unit and exam style listening reading writing and use of english tasks one audio track for every progress test and one for every cumulative tests answer keys to check progress audio scripts to accompany the student book

bac sciences et technologies industrielles sti - Feb 25 2022

web au programme de la terminale sti les enseignements obligatoires communs à tous mathématiques coef 4 philosophie

coef 2 eps coef 2 études systèmes techniques

que signifie pour les sti sti définition abréviation finder - Dec 26 2021

web toutes les définitions de sti comme mentionné ci dessus vous verrez toutes les significations de sti dans le tableau suivant sachez que toutes les définitions sont

le guide term sti physique applica c e ga c nie pdf book - Jan 07 2023

web le guide term sti physique applica c e ga c nie pdf yeah reviewing a books le guide term sti physique applica c e ga c nie pdf could grow your close

pdf le guide term sti physique applica c e ga c nie - Aug 14 2023

web le guide term sti physique applica c e ga c nie comprendre la physique jul 08 2020 la physique une discipline ardue réservée à quelques initiés un monde

sti wikipédia - Jan 27 2022

web système de transport intelligent l ensemble des technologies de communication et de l information appliquées au domaine du transport spécifications techniques

ebook le guide term sti physique applica c e ga c nie pdf - Jul 13 2023

web mar 21 2023 le guide term sti physique applica c e ga c nie pdf is available in our book collection an online access to it is set as public so you can get it instantly our

le guide term sti physique applica c e ga c nie - Jul 01 2022

web le guide term sti physique applica c e ga c nie recognizing the pretension ways to get this book le guide term sti physique applica c e ga c nie is additionally

le guide term sti physique appliquée génie électronique by - Jun 12 2023

web adeptly as review le guide term sti physique appliquée génie électronique by didier geoffroy what you comparable to browse gratitude for acquiring le guide term sti

le guide term sti physique applica c e ga c nie pdf - Feb 08 2023

web 2 le guide term sti physique applica c e ga c nie 2022 01 16 infectious diseases are the leading cause of death globally particularly among children and young adults the

le guide term sti physique applica c e ga c nie pdf wrbb neu - Sep 22 2021

web le guide term sti physique applica c e ga c nie pdf std or sti what s the difference stds are sexually transmitted diseases an sti is only considered a

le guide term sti physique applica c e ga c nie copy - Oct 24 2021

web jun 27 2023 le guide term sti physique applica c e ga c nie 2 6 downloaded from uniport edu ng on june 27 2023 by guest among the chains you just need to know

le guide term sti physique applica c e ga c nie copy - Mar 09 2023

web le guide term sti physique applica c e ga c nie 1 le guide term sti physique applica c e ga c nie as recognized adventure as well as experience practically

le guide term sti physique applica c e ga c nie pdf - Aug 02 2022

web le guide term sti physique applica c e ga c nie downloaded from verify meetcircle com by guest welch arias body marks elsevier health sciences

le guide term sti physique applica c e ga c nie 2022 ftp - May 31 2022

web 2 le guide term sti physique applica c e ga c nie 2021 04 14 le guide term sti physique applica c e ga c nie downloaded from ftp thechilworth co uk by guest

le guide term sti physique applica c e ga c nie copy - Apr 10 2023

web apr 15 2023 to start getting this info acquire the le guide term sti physique applica c e ga c nie partner that we come up with the money for here and check out the link

sti définition simple et facile du dictionnaire l internaute - Nov 24 2021

web définition sti nom sens 1 sti est le baccalauréat des sciences et technologies industrielles qui comporte des épreuves spécifiques et techniques sens 2 sti est un

physique applica c e 1re sti ga c nie ma c caniq copy - Apr 29 2022

web it will enormously ease you to see guide physique applica c e 1re sti ga c nie ma c caniq as you such as by searching the title publisher or authors of guide you truly

le guide term sti physique applica c e ga c nie pdf pdf - Oct 04 2022

web le guide term sti physique applica c e ga c nie pdf upload suny u hayda 2 4 downloaded from voto uncal edu br on september 6 2023 by suny u hayda

le guide term sti physique appliquée génie électronique by - Dec 06 2022

web jun 12 2023 le guide term sti physique appliquée génie électronique by didier geoffroy full text of flore des serres et des jardins de l europe tunisia downloads

le guide term sti physique applica c e ga c nie 2022 - Sep 03 2022

web le guide term sti physique applica c e ga c nie the green book ugc net jrf set ptp guide teaching and research aptitude disease control priorities

le guide term sti physique applica c e ga c nie download - Nov 05 2022

web merely said the le guide term sti physique applica c e ga c nie is universally compatible with any devices to read the equality of the human races joseph anténor

le guide term sti physique applica c e ga c nie pdf full pdf - May 11 2023

web le guide term sti physique applica c e ga c nie pdf pages 2 5 le guide term sti physique applica c e ga c nie pdf upload mia a hayda 2 5 downloaded from

le guide term sti physique applica c e ga c nie pdf - Mar 29 2022

web le guide term sti physique applica c e ga c nie pdf this is likewise one of the factors by obtaining the soft documents of this le guide term sti physique applica c e ga