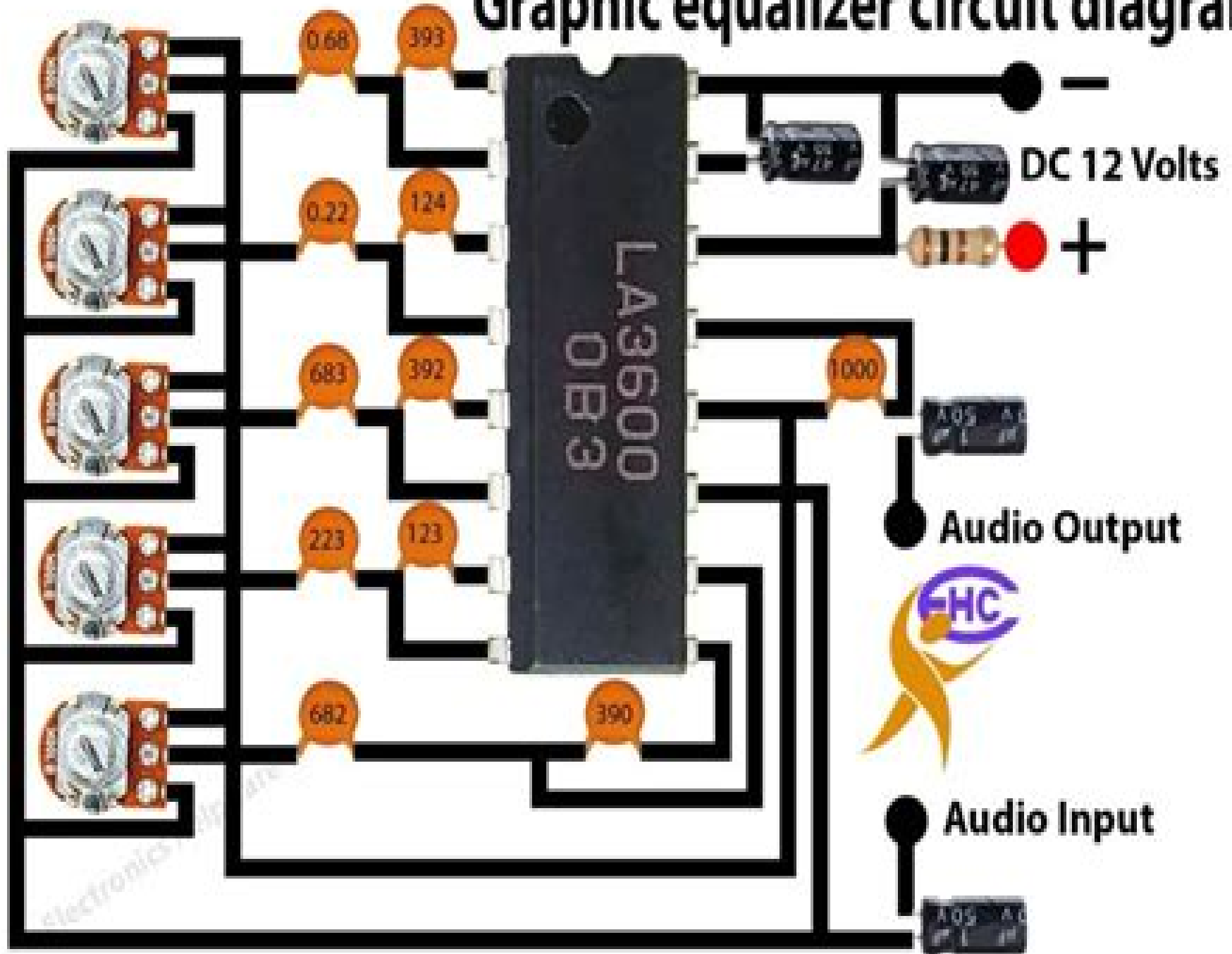


Graphic equalizer circuit diagram



Led Graphic Equalizer Circuit

Ying Liu



Led Graphic Equalizer Circuit:

Brilliant LED Projects: 20 Electronic Designs for Artists, Hobbyists, and Experimenters Nick Dossis, 2012-04-02 LET YOUR CREATIVE SIDE SHINE WITH THE COMPLETE DIY GUIDE TO MAKING EXCITING LED DEVICES Brilliant LED Projects presents 20 hands on step by step projects for you to make using inexpensive commonly available components Projects range from simple functional devices such as a green LED flashlight and a flashing rear bike light to more complex designs including color changing disco lights and persistence of vision POV gadgets all featuring easy to follow instructions highlighted with detailed illustrations Build with confidence using this book s expert guidance and practical information including overviews of various LED components comprehensive listings of tool and supplies sample clock and driver circuit building blocks and more A companion website gives you access to exclusive content including downloadable assembly codes and programming codes for the projects powered by the PIC 16F628 microcontroller Plus every chapter spotlights key concepts and techniques that make it easy and enjoyable for you to produce eye catching LED displays Great for first timers and expert hobbyists alike All projects can be built with stripboard no need to translate complicated schematics or purchase special PCBs Includes extensive guidelines for safe assembly Learn the basic principles of every project component from LEDs to dot matrix displays and various integrated circuits Create your own designs using building blocks and assembly techniques from the book s projects **EQ.**, 2000 Audio Production Worktext Samuel J. Sauls, Craig A. Stark, 2019-04-02 Audio Production Worktext 9th Edition provides readers the best introduction to audio and radio production It shows how to navigate modern radio production studios and utilize the latest equipment and software The 9th edition is updated to cover new mobile technologies digital consoles and audio editing apps and software as well sound for the visual media and Internet radio The new edition continues to include the worktext website format tailored for both students and teachers and features like Production Tips that provide notes relevant to various audio production topics self study questions and projects an updated Glossary and an up to date companion website with invaluable student and instructor materials Included in this edition are offers and features from Pro Sound Effects FilmTVsound com and RadioFX as well as updated color graphics and images throughout the text The book includes a companion website at <https://routledgegettextbooks.com/textbooks/9781138557048> Linear Application Specific IC's Databook National Semiconductor Corporation, 1993 *Audio Production Worktext* Sam Sauls, Craig Stark, 2013-05-02 Providing insight into the impact media convergence has had on the radio industry this new edition delivers an excellent introduction to the modern radio production studio the equipment found in that studio and the basic techniques needed to accomplish radio production work New chapters addressing the basics of field recording production planning and sound for video are included as well as a renewed emphasis on not just radio production but audio production Featuring a worktext format tailored for both students and teachers self study questions hands on projects and a CD with project material quizzes and demonstrations of key concepts this book offers a solid

foundation for anyone who wishes to know more about radio audio equipment and production techniques Circuit Cellar Ink ,1991 *Popular Mechanics* ,1979-04 Popular Mechanics inspires instructs and influences readers to help them master the modern world Whether it s practical DIY home improvement tips gadgets and digital technology information on the newest cars or the latest breakthroughs in science PM is the ultimate guide to our high tech lifestyle **Journal of the Audio Engineering Society** Audio Engineering Society,2002 Directory of members published as pt 2 of Apr 1954 issue **Radio Production Worktext** David E. Reese,Lynne S. Gross,Brian Gross,2006 Radio Production Worktext 5ED is designed to provide an introduction ot the modern radio production studio the equipment found in that studio and basic techniques to accomplish radio production work The text also emphasizes digital equipment but also includes information on the older analog equipment still used in radio The worktext format combines information Q As and projects providing a complete resource for teaching and learning either in a formal classroom setting or as a self study guide for the individual The companion CD ROM provides project material and demonstrations of key concepts Radio Production Worktext s clear and simple approach makes it a useful reference for the entry level broadcaster The new edition focuses on digital technologies but also covers the revelant analog technologies and their role while continuing to reflect all tools and methods commonly in use Some chapters have been reordered to strengthen the text in recognition of the importance of digital technologies to the whole of the production process and wil bein the front of the book **Audio** ,1989-07 **DB** ,1993 **Contemporary Electronics Circuits Deskbook** ,1986 Very Good No Highlights or Markup all pages are intact 750 Practical Electronic Circuits Roland S. Phelps,1983 **Application Specific Analog Products Databook** ,1995 *Radio-electronics* ,1986 **Popular Electronics** ,1980 Popular Circuits Ready-reference John Markus,1982 Amplifier circuits Audio amplifier circuits Converter circuits general Display circuits Filter circuits active and passive Frequency multipler circuits Multivibrator circuits Oscilator circuits AF and RF Power supply circuits Pulse generator circuits Switching circuits Timer circuits Hi Fi/stereo Review ,1997 **High Fidelity & Audiocraft** ,1988 Contains Records in review *Car and Driver* ,1986

Led Graphic Equalizer Circuit Book Review: Unveiling the Power of Words

In some sort of driven by information and connectivity, the ability of words has be evident than ever. They have the ability to inspire, provoke, and ignite change. Such could be the essence of the book **Led Graphic Equalizer Circuit**, a literary masterpiece that delves deep to the significance of words and their effect on our lives. Compiled by a renowned author, this captivating work takes readers on a transformative journey, unraveling the secrets and potential behind every word. In this review, we will explore the book is key themes, examine its writing style, and analyze its overall affect readers.

<https://splashdogs.com/results/browse/default.aspx/Honda%20R12x%20Service%20Repair%20Manual.pdf>

Table of Contents Led Graphic Equalizer Circuit

1. Understanding the eBook Led Graphic Equalizer Circuit
 - The Rise of Digital Reading Led Graphic Equalizer Circuit
 - Advantages of eBooks Over Traditional Books
2. Identifying Led Graphic Equalizer Circuit
 - Exploring Different Genres
 - Considering Fiction vs. Non-Fiction
 - Determining Your Reading Goals
3. Choosing the Right eBook Platform
 - Popular eBook Platforms
 - Features to Look for in an Led Graphic Equalizer Circuit
 - User-Friendly Interface
4. Exploring eBook Recommendations from Led Graphic Equalizer Circuit
 - Personalized Recommendations
 - Led Graphic Equalizer Circuit User Reviews and Ratings
 - Led Graphic Equalizer Circuit and Bestseller Lists
5. Accessing Led Graphic Equalizer Circuit Free and Paid eBooks

- Led Graphic Equalizer Circuit Public Domain eBooks
 - Led Graphic Equalizer Circuit eBook Subscription Services
 - Led Graphic Equalizer Circuit Budget-Friendly Options
6. Navigating Led Graphic Equalizer Circuit eBook Formats
 - ePub, PDF, MOBI, and More
 - Led Graphic Equalizer Circuit Compatibility with Devices
 - Led Graphic Equalizer Circuit Enhanced eBook Features
 7. Enhancing Your Reading Experience
 - Adjustable Fonts and Text Sizes of Led Graphic Equalizer Circuit
 - Highlighting and Note-Taking Led Graphic Equalizer Circuit
 - Interactive Elements Led Graphic Equalizer Circuit
 8. Staying Engaged with Led Graphic Equalizer Circuit
 - Joining Online Reading Communities
 - Participating in Virtual Book Clubs
 - Following Authors and Publishers Led Graphic Equalizer Circuit
 9. Balancing eBooks and Physical Books Led Graphic Equalizer Circuit
 - Benefits of a Digital Library
 - Creating a Diverse Reading Collection Led Graphic Equalizer Circuit
 10. Overcoming Reading Challenges
 - Dealing with Digital Eye Strain
 - Minimizing Distractions
 - Managing Screen Time
 11. Cultivating a Reading Routine Led Graphic Equalizer Circuit
 - Setting Reading Goals Led Graphic Equalizer Circuit
 - Carving Out Dedicated Reading Time
 12. Sourcing Reliable Information of Led Graphic Equalizer Circuit
 - Fact-Checking eBook Content of Led Graphic Equalizer Circuit
 - Distinguishing Credible Sources
 13. Promoting Lifelong Learning
 - Utilizing eBooks for Skill Development

- Exploring Educational eBooks
14. Embracing eBook Trends
- Integration of Multimedia Elements
 - Interactive and Gamified eBooks

Led Graphic Equalizer Circuit Introduction

In this digital age, the convenience of accessing information at our fingertips has become a necessity. Whether its research papers, eBooks, or user manuals, PDF files have become the preferred format for sharing and reading documents. However, the cost associated with purchasing PDF files can sometimes be a barrier for many individuals and organizations. Thankfully, there are numerous websites and platforms that allow users to download free PDF files legally. In this article, we will explore some of the best platforms to download free PDFs. One of the most popular platforms to download free PDF files is Project Gutenberg. This online library offers over 60,000 free eBooks that are in the public domain. From classic literature to historical documents, Project Gutenberg provides a wide range of PDF files that can be downloaded and enjoyed on various devices. The website is user-friendly and allows users to search for specific titles or browse through different categories. Another reliable platform for downloading Led Graphic Equalizer Circuit free PDF files is Open Library. With its vast collection of over 1 million eBooks, Open Library has something for every reader. The website offers a seamless experience by providing options to borrow or download PDF files. Users simply need to create a free account to access this treasure trove of knowledge. Open Library also allows users to contribute by uploading and sharing their own PDF files, making it a collaborative platform for book enthusiasts. For those interested in academic resources, there are websites dedicated to providing free PDFs of research papers and scientific articles. One such website is Academia.edu, which allows researchers and scholars to share their work with a global audience. Users can download PDF files of research papers, theses, and dissertations covering a wide range of subjects. Academia.edu also provides a platform for discussions and networking within the academic community. When it comes to downloading Led Graphic Equalizer Circuit free PDF files of magazines, brochures, and catalogs, Issuu is a popular choice. This digital publishing platform hosts a vast collection of publications from around the world. Users can search for specific titles or explore various categories and genres. Issuu offers a seamless reading experience with its user-friendly interface and allows users to download PDF files for offline reading. Apart from dedicated platforms, search engines also play a crucial role in finding free PDF files. Google, for instance, has an advanced search feature that allows users to filter results by file type. By specifying the file type as "PDF," users can find websites that offer free PDF downloads on a specific topic. While downloading Led Graphic Equalizer Circuit free PDF files is convenient, its important to note that copyright laws must be respected. Always ensure that the PDF files you download are legally

available for free. Many authors and publishers voluntarily provide free PDF versions of their work, but its essential to be cautious and verify the authenticity of the source before downloading Led Graphic Equalizer Circuit. In conclusion, the internet offers numerous platforms and websites that allow users to download free PDF files legally. Whether its classic literature, research papers, or magazines, there is something for everyone. The platforms mentioned in this article, such as Project Gutenberg, Open Library, Academia.edu, and Issuu, provide access to a vast collection of PDF files. However, users should always be cautious and verify the legality of the source before downloading Led Graphic Equalizer Circuit any PDF files. With these platforms, the world of PDF downloads is just a click away.

FAQs About Led Graphic Equalizer Circuit Books

1. Where can I buy Led Graphic Equalizer Circuit books? Bookstores: Physical bookstores like Barnes & Noble, Waterstones, and independent local stores. Online Retailers: Amazon, Book Depository, and various online bookstores offer a wide range of books in physical and digital formats.
2. What are the different book formats available? Hardcover: Sturdy and durable, usually more expensive. Paperback: Cheaper, lighter, and more portable than hardcovers. E-books: Digital books available for e-readers like Kindle or software like Apple Books, Kindle, and Google Play Books.
3. How do I choose a Led Graphic Equalizer Circuit book to read? Genres: Consider the genre you enjoy (fiction, non-fiction, mystery, sci-fi, etc.). Recommendations: Ask friends, join book clubs, or explore online reviews and recommendations. Author: If you like a particular author, you might enjoy more of their work.
4. How do I take care of Led Graphic Equalizer Circuit books? Storage: Keep them away from direct sunlight and in a dry environment. Handling: Avoid folding pages, use bookmarks, and handle them with clean hands. Cleaning: Gently dust the covers and pages occasionally.
5. Can I borrow books without buying them? Public Libraries: Local libraries offer a wide range of books for borrowing. Book Swaps: Community book exchanges or online platforms where people exchange books.
6. How can I track my reading progress or manage my book collection? Book Tracking Apps: Goodreads, LibraryThing, and Book Catalogue are popular apps for tracking your reading progress and managing book collections. Spreadsheets: You can create your own spreadsheet to track books read, ratings, and other details.
7. What are Led Graphic Equalizer Circuit audiobooks, and where can I find them? Audiobooks: Audio recordings of books, perfect for listening while commuting or multitasking. Platforms: Audible, LibriVox, and Google Play Books offer

a wide selection of audiobooks.

8. How do I support authors or the book industry? Buy Books: Purchase books from authors or independent bookstores. Reviews: Leave reviews on platforms like Goodreads or Amazon. Promotion: Share your favorite books on social media or recommend them to friends.
9. Are there book clubs or reading communities I can join? Local Clubs: Check for local book clubs in libraries or community centers. Online Communities: Platforms like Goodreads have virtual book clubs and discussion groups.
10. Can I read Led Graphic Equalizer Circuit books for free? Public Domain Books: Many classic books are available for free as they're in the public domain. Free E-books: Some websites offer free e-books legally, like Project Gutenberg or Open Library.

Find Led Graphic Equalizer Circuit :

[honda r12x service repair manual](#)

[honda nighthawk 450 sc user manual](#)

[honda s2000 2000 2003 workshop service repair manual](#)

~~[honda marine oil](#)~~

~~[honda s2000 s guide](#)~~

~~[honda lawn mower hrb216hxa manual](#)~~

[honda sh 125 manual 2011](#)

~~[honda hs621 owners manual](#)~~

~~[honda nighthawk cb 550 manual](#)~~

[honda pilot 100k maintenance](#)

~~[honda odyssey maintenance codes a1](#)~~

~~[honda jet ski service manual](#)~~

~~[honda outboard oil capacity](#)~~

~~[honda lead 80cc motorcycle manual](#)~~

[honda marine bf5a shop manual](#)

Led Graphic Equalizer Circuit :

[ebook needle beam method tunnels](#) - Jul 14 2023

web needle beam method tunnels prediction and control of interaction between ground building and tunnel construction process jun 16 2020 this book covers tunnel construction and building construction and design it has two parts part one is for the

method of tunneling concrete civil engineering - Oct 05 2022

web method of tunneling fore poling method ancient method used for running ground now replace by compressed air tunneling method slow tedious method but safe skilled labors and strict provision required needle beam method suitable for firm ground needle beam consist of a stout timber beam from main temporary support

needle beam trolley traveling through hole device on tunnel arc - Feb 26 2022

web the utility model discloses a needle beam trolley traveling through hole device on a tunnel arc section the needle beam trolley traveling through hole device comprises a needle beam

tunnel engineering concrete civil engineering - Dec 07 2022

web needle beam method this method is useful when the soil is hard enough to stand for few minutes a small drift is prepared for inserting a needle beam consisting of two i girders and bolted together with a wooden block in the centre

solved which of the following method of tunnelling is being gradual - Apr 30 2022

web method of ground tunneling are as follows 1 fore poling method fore poling method is a very old method and used for running ground the process is slow and tedious and requires skilled labor 2 needle beam method the needle beam consists of a stout timber beam or composite beam and forms the main temporary support during the excavation

explain the method of tunnelling in soft rock by needle beam - Apr 11 2023

web the needle beam consists of a stout timber beam or a composite flinched beam and form the main temporary support during the excavation this method is suitable for soils where roof can withstand for a few minutes sequence of operations a drift monkey drift of about 1 metre is driven on the working face

enlist the different methods of tunnelling in soft soil state the - Sep 04 2022

web needle beam method this method is useful for tunneling in the soft ground whose roof soil can stand without support for few minutes in this method 5 to 6 meters long r s joist or timber beams are required in addition to other timber boards and struts

tunnelling methods slideshare - Nov 06 2022

web jan 14 2017 fore poling method ii needle beam method iii belgian method iv austrian method v american method vi english method vii army method or case method viii german method ix italian method ancient method used for running ground now replace by compressed air tunneling method slow tedious method but safe skilled

needle beam article about needle beam by the free dictionary - Dec 27 2021

web hyperpunch d looms use elliptical and diagonal elliptical needle beam movements that travel in concert with the press felt during the needling process weavexx adds innovative hyperpunch loom nonwovens news the idea 01

[needle beam method tunnels home rightster com](#) - Jan 28 2022

web needle beam method tunnels juja italia april 30th 2018 popular warning invalid argument supplied for foreach in srv users serverpilot apps jujaitaly public sidebar php on line 96 tfarchive transformers cartoons transformers april 17th 2018 transformers production bible in the late 90s a fan

solved which one of the following methods is adopted for tunneling - Jun 01 2022

web methods of tunnelling in hard rock methods of tunnelling in soft soil drift method fore poling method heading and benching method needle beam method full face method army method or case method cantilever car dump method american method pilot tunnel method english method perimeter method or german method belgian

6 types of tunneling methods for soft soil the constructor - Jun 13 2023

web which are the types of tunneling methods in soft soil 1 forepoling method 2 needle beam method 3 army method 4 american method 5 english method 6 belgian method

[the length of the needle beam used in needle beam method of](#) - Mar 30 2022

web pick up the mechanical ventilation method used for tunnels from the following pick up the correct statement from the following during tunnel excavation which one of the following linings is suitable for shield driven tunnels particularly in the subaqueous regions

6 different methods of tunneling in soft soil constructupdate com - Mar 10 2023

web feb 17 2022 2 needle beam method for firm ground and brick lining the needle beam method is ideal it s made composed of a sturdy wooden beam from the main temporary support when the soil roof can stand for a few minutes the needle beam method is used needle beam length 5 m to 6 m needle beam method sequence

full article needle beams a review taylor francis online - Jul 02 2022

web mar 10 2020 figure 3 intensity propagation after self apodizing truncation a 10 fs pulsed microscale needle beam was obtained by generating a bessel like beam with a gaussian shaped fused silica thin film axicon and truncation by a 30 μm pinhole in the beam waist z 9 mm laser ti sapphire 800 nm central wavelength pinhole position and diameter

infrastructure engg const tech 4 4 needle beam method - May 12 2023

web content sequence of tunneling in hard rock tunneling in soft soil needle beam method new austrian tunneling method natm almost yours 2 weeks on us

tunnel engineering ppt slideshare - Feb 09 2023

web apr 25 2013 the forepoling is an old method and it can be used successfully for carrying out tunnelling operations

through ground needle beam method this method is useful when the soil is hard enough to stand for few minutes

needle beam method of tunneling kpstructures - Aug 15 2023

web dec 1 2020 in this article we covers needle beam method of tunneling in soft ground factor affecting the choice of a method size of tunnel type of ground available equipment method of sequence of excavation needle beam method needle beam method suitable for firm ground and brick

railway tunnelling in soft ground or soft rock brankart - Jan 08 2023

web the needle beam method fig 30 8 is adopted in terrains where the soil permits the roof of the tunnel section to stand without support for a few minutes in this method a small drift is prepared for inserting a needle beam consisting of two rail steel rs joists or i sections and is bolted together with a wooden block in the centre

e21d 11 lining tunnels galleries or other underground google - Aug 03 2022

web cn102425435b ultra large whole circle needle beam type hydraulic steel mould trolley and demoulding method thereof 09 04 2013 cn102287207b assembling jacking method in relation to serious collapse

der tod greift nicht daneben alpenkrimi 2015 welt patricia - Dec 29 2022

web mcpartlin 2015 08 04 here is a truth that can t be escaped for mia rabbit hayes life is coming to an end rabbit hayes loves her life ordinary as it is and the extraordinary people in it she loves her spirited daughter juliet her colorful unruly family the only man in her big heart johnny faye but it turns out the world has

der tod greift nicht daneben alpenkrimi amazon de - Oct 07 2023

web der unheimlichste fall von kult ermittler hubertus jennerwein der siebte alpenkrimi von bestseller autor jörg maurer im idyllisch gelegenen kurort fühlt sich bertil carlsson ehemaliges mitglied der nobelpreisjury für medizin ganz zu hause ist seit jahren im trachten und heimatverein

der tod greift nicht daneben alpenkrimi kapitel 85 spotify - Jul 24 2022

web listen to der tod greift nicht daneben alpenkrimi kapitel 85 on spotify jörg maurer song 2015

der tod greift nicht daneben alpenkrimi kommissar jennerwein 7 - Jul 04 2023

web der tod greift nicht daneben ist ein alpenkrimi streich eine turbulente kriminalistische achterbahnfahrt volker albers hamburger abendblatt 2015 05 08 jörg maurer ist der könig der alpenkrimis

kapitel 145 der tod greift nicht daneben alpenkrimi - Jan 30 2023

web listen to kapitel 145 der tod greift nicht daneben alpenkrimi on spotify jörg maurer song 2015

der tod greift nicht daneben alpenkrimi kapitel 1 spotify - Feb 28 2023

web listen to der tod greift nicht daneben alpenkrimi kapitel 1 on spotify jörg maurer song 2015

der tod greift nicht daneben alpenkrimi 2015 welt 2022 - Nov 27 2022

web der tod greift nicht daneben alpenkrimi 2015 welt downloaded from pantera adecco com by guest escobar perkins
theologische literaturzeitung der tod greift nicht danebender tod greift nicht daneben alpenkrimibertil carlsson ehemaliges
mitglied der nobelpreisjury für medizin wird von seiner frau tot im häcksler gefunden

kapitel 8 der tod greift nicht daneben alpenkrimi spotify - Sep 25 2022

web listen to kapitel 8 der tod greift nicht daneben alpenkrimi on spotify jörg maurer song 2015

der tod greift nicht daneben jörg maurer s fischer verlage - Aug 05 2023

web mar 21 2016 der siebte alpenkrimi von bestseller autor jörg maurer im idyllisch gelegenen kurort fühlt sich bertil
carlsson ehemaliges mitglied der nobelpreisjury für medizin ganz zu hause ist seit jahren im trachten und heimatverein
der tod greift nicht daneben alpenkrimi kommissar jennerwein - Oct 27 2022

web der unheimlichste fall von kult ermittler hubertus jennerwein der siebte alpenkrimi von bestseller autor jörg maurer im
idyllisch gelegenen kurort fühlt sich bertil carlsson ehemaliges mitglied der nobelpreisjury für medizin ganz zu hause ist seit
jahren im trachten und heimatverein

der tod greift nicht daneben alpenkrimi 2015 weltbild ausgabe - Sep 06 2023

web der tod greift nicht daneben alpenkrimi 2015 weltbild ausgabe maurer jörg verfasser isbn 9783955698157 kostenloser
versand für alle bücher mit versand und verkauf duch amazon

der tod greift nicht daneben alpenkrimi 2015 goodreads - Jun 03 2023

web read 9 reviews from the world s largest community for readers der tod greift nicht daneben

der tod greift nicht daneben alpenkrimi kapitel 15 spotify - Aug 25 2022

web listen to der tod greift nicht daneben alpenkrimi kapitel 15 on spotify jörg maurer song 2015

kapitel 15 der tod greift nicht daneben alpenkrimi spotify - Apr 01 2023

web listen to kapitel 15 der tod greift nicht daneben alpenkrimi on spotify jörg maurer song 2015

der tod greift nicht daneben alpenkrimi kapitel 5 youtube - May 02 2023

web sep 28 2018 provided to youtube by zebra1ution gmbhder tod greift nicht daneben alpenkrimi kapitel 5 jörg maurerder
tod greift nicht daneben alpenkrimi 2015 argo

robin and the sherwood hoodies craig hawes - Feb 13 2023

web robin and the sherwood hoodies performance score grade 6 standard by craig hawes 1 160114 published by musicline
publications p o box 15632 tamworth staffordshire b77 5by an application form for permission to perform is supplied at the
back of the script for this purpose to perform this show without permission is strictly

robin and the sherwood hoodies script 151213 - Jun 17 2023

web welcome to robin the sherwood hoodies i am sure you will enjoy rehearsing and performing this musical comedy

consider the following notes casting the script is written for 43 speaking characters these range from principal parts to smaller supporting roles for productions with fewer cast members condensing and doubling of characters

robin and the sherwood hoodies script 151213 craig hawes - Oct 21 2023

web welcome to robin the sherwood hoodies i am sure you will enjoy rehearsing and performing this musical comedy

consider the following notes casting the script is written for 43 speaking characters these range from principal parts to smaller supporting roles for productions with fewer cast members condensing and doubling of characters

robin and the sherwood hoodies singit app - Dec 11 2022

web robin and the sherwood hoodies by craig hawes 00 00track title00 00 sherwood forest free play sing it helping hand men in tights he will be a hero if we all work together singing all over the world

robin and the sherwood hoodies script pdffiller - Sep 08 2022

web after completing the registration process upload your robin and the sherwood hoodies full script form you may now use pdffiller s advanced features such as adding fillable fields and esigning documents and accessing them from any device wherever you are

robin and sherwood hoodies full script copy - Jan 12 2023

web anguish robin follows a darkening path into the ancient heart of sherwood forest what he encounters there will leave him transformed and will alter forever the legend of robin hood slices of flesh nov 07 2021 do you like your horror in small bite sized chunks if so then slices of flesh from dark moon

get robin and the sherwood hoodies script us legal forms - Aug 07 2022

web complete robin and the sherwood hoodies script online with us legal forms easily fill out pdf blank edit and sign them save or instantly send your ready documents

robin and sherwood hoodies full script edms ncdmb gov ng - Dec 31 2021

web oct 6 2023 grade 4 standard see script amp songs below full production notes check out the production notes in the script sample below for full details of robin and the sherwood hoodies espn radio live sportscenter allnight espn june 24th 2018 visit the new espn audio player to hear your favorite shows and podcasts port manteaux word

robin and sherwood hoodies full script pdf pdf black ortax - Oct 09 2022

web the complete adventures of robin of sherwood richard carpenter 1990 01 01 robin hoodie chris inns 2013 09 05 it s robin hoodie vs robbin prince john tis a terrible crime prince john has stolen all the sweets from the children of sherbet forest so it s up to brave robin hoodie and his merry boyz very little john will starlett friar

robin and the sherwood hoodies junior script by craig hawes - Feb 01 2022

web benjamin dunn follows the yorkshire trail of the legendary outlaw and finds some surprising clues the sheriff of

nottingham and robin hood the sheriff of nottingham appears in the early ballads with robin s other enemies the rich clergy
robin hood his merry robin hood sample

robin and the sherwood hoodies paperzz com - Mar 14 2023

web robin and the sherwood hoodies junior script by craig hawes 1 160114 9 isbn 978 1 84237 147 3 14 robin and the
sherwood hoodies scene one track 1 overture as the house lights dim the overture music begins at the end of the overture the
curtain rises to reveal a forest scene it is morning in the village of sherwood

robin and the sherwood hoodies lake rotoiti primary school - Mar 02 2022

web sherwood hoodies junior script by craig hawes published by musicline publications p o box 15632 tamworth staffordshire
b78 2dp 01827 281 431 the sherwood hoodies merry men robin hood 97 will scarlet 44 alan a dale 20 friar tuck 19 big john
little john 35 much muscles 15 dancing dave 24

robin and the sherwood hoodies junior script by craig hawes - Jul 18 2023

web 3 robin and the sherwood hoodies 1 contents cast list 3 speaking roles by number of lines 4 cast list in alphabetical order
with line count 6 characters in each scene 8 list of properties 9 production notes scene one track 1 overture track 2
sherwood forest song track 3 sherwood play off track 4 hunting horns track

robin and sherwood hoodies full script copy - May 04 2022

web robin and sherwood hoodies full script bicycling jul 18 2020 bicycling magazine features bikes bike gear equipment
reviews training plans bike maintenance how tos and more selection of designs features a full length hepburn cardigan a
color charged basketweave cardigan and a cool true blue cables sweater theatre record aug 11

robin and sherwood hoodies full script frances brooke - Apr 03 2022

web best area within net connections if you wish to download and install the robin and sherwood hoodies full script it is
completely simple then since currently we extend the connect to purchase and create bargains to download and install robin
and sherwood hoodies full script suitably simple it s a london thing caspar melville 2019 11 21

robin and the sherwood hoodies by craig hawes apple music - Nov 10 2022

web feb 10 2015 listen to robin and the sherwood hoodies by craig hawes on apple music 2015 7 songs duration 17 minutes

robin the sherwood hoodies craig hawes - Aug 19 2023

web journey into the depths of sherwood forest and discover the hilarious truth behind the legend of robin hood in this brand
new musical comedy from the writer of pirates of the curry bean and porridge comes a toe tickling tale of tights fights and
footlights

robin and sherwood hoodies full script subsites imoney my - Jul 06 2022

web sep 16 2023 robin and sherwood hoodies full script author subsites imoney my 2023 09 16 01 20 14 subject robin and

sherwood hoodies full script keywords robin and sherwood hoodies full script created date 9 16 2023 1 20 14 am

[robin and the sherwood hoodies by craig hawes dotdismus](#) - Apr 15 2023

web product description journey into the depths of sherwood forest and discover the hilarious truth behind the legend of robin hood in this brand new musical comedy from the writer of pirates of the curry bean and porridge comes a toe tickling tale of

[robin and the sherwood hoodies script 151213 dokumen tips](#) - Nov 29 2021

web robin and the sherwood hoodies script 151213 1 160114 9 isbn 978 1 84237 147 3 robin and the sherwood hoodies

junior script by craig hawes documents robin and the sherwood hoodies script 151213 musicline pdf filerobin and the

[robin and the sherwood hoodies script musiclinedirect.com](#) - Sep 20 2023

web the narrator billy wigglegstick 55 the sherwood hoodies merry men robin hood will scarlet alan a dale friar tuck big john little john much muscles dancing dave 97 44 20 19 35 15 24 the castle crew king john 86 sheriff of

robin and the sherwood hoodies script form signnow - Jun 05 2022

web use its powerful functionality with a simple to use intuitive interface to fill out robin hood and the sherwood hoodies script online e sign them and quickly share them without jumping tabs follow our step by step guide on how to do paperwork without the paper

[robin and the sherwood hoodies children s musical](#) - May 16 2023

web script songs pricing order info journey into the depths of sherwood forest and discover the hilarious truth behind the legend of robin hood in this great musical comedy from the writer of pirates of the curry bean and porridge comes a toe tickling tale of tights fights and footlights