

1.4 Exploded view - glove box

1 - Insert

- For glove box
- For correct version, refer to ⇒ Electronic parts catalogue

2 - Bolt

- 3x
- 3 Nm

3 - Glove box

- For correct version, refer to ⇒ Electronic parts catalogue
- Removing and installing ⇒ [page 25](#)

4 - Dummy cover/vent

- For correct version, refer to ⇒ Electronic parts catalogue

5 - Dummy cover

- For correct version, refer to ⇒ Electronic parts catalogue

6 - Key operated switch to deactivate airbag on front passenger side - E224-

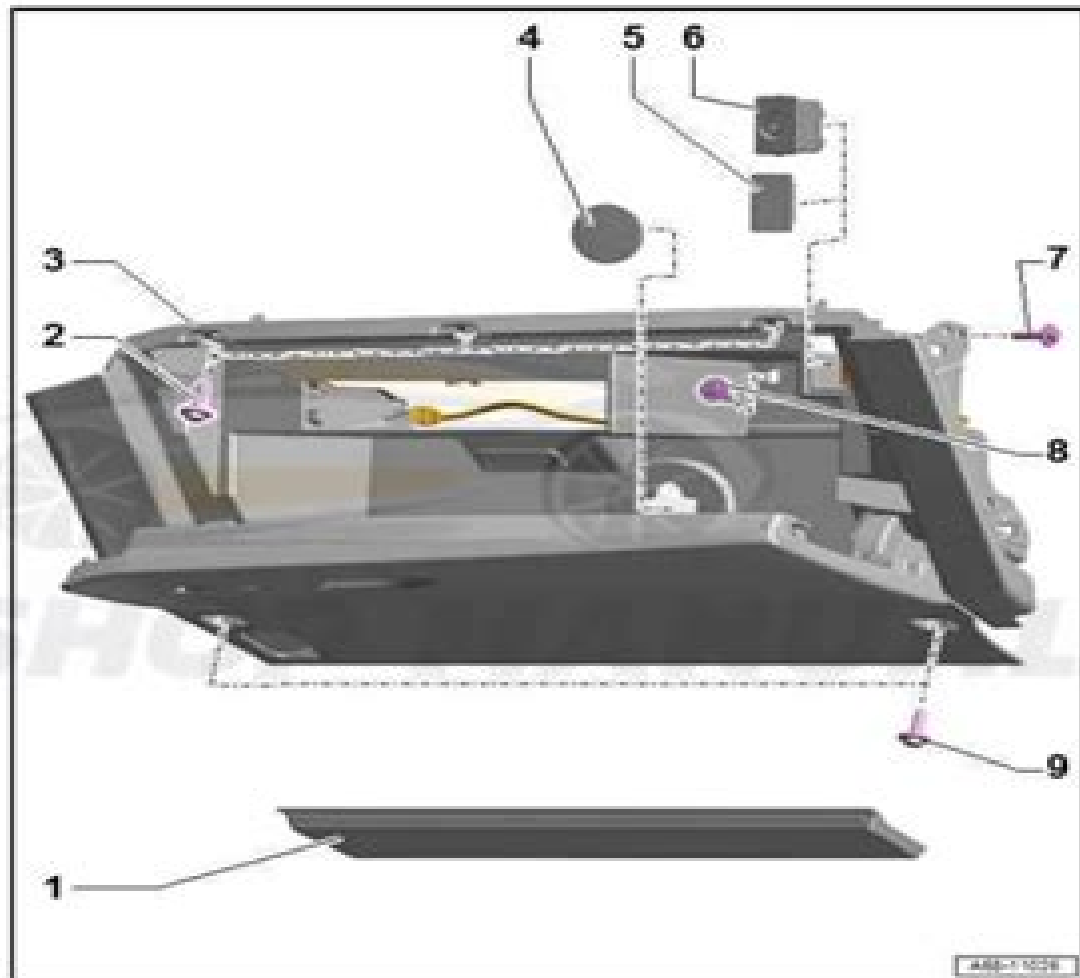
- Rest-of-world vehicles/ equipment version
- For correct version, refer to ⇒ Electronic parts catalogue
- Removing and installing ⇒ [page 125](#)
- Press into opening until it engages audibly

7 - Bolt

- 3 Nm

8 - Bolt

- 3 Nm



Manual K Audi A6

Camilla Rothe



Manual K Audi A6:

Handbook of Human-Machine Systems Giancarlo Fortino, David Kaber, Andreas Nürnberger, David

Mendonça, 2023-07-04 Handbook of Human Machine Systems Insightful and cutting edge discussions of recent developments in human machine systems In Handbook of Human Machine Systems a team of distinguished researchers delivers a comprehensive exploration of human machine systems HMS research and development from a variety of illuminating perspectives The book offers a big picture look at state of the art research and technology in the area of HMS Contributing authors cover Brain Machine Interfaces and Systems including assistive technologies like devices used to improve locomotion They also discuss advances in the scientific and engineering foundations of Collaborative Intelligent Systems and Applications Companion technology which combines trans disciplinary research in fields like computer science AI and cognitive science is explored alongside the applications of human cognition in intelligent and artificially intelligent system designs human factors engineering and various aspects of interactive and wearable computers and systems The book also includes A thorough introduction to human machine systems via the use of emblematic use cases as well as discussions of potential future research challenges Comprehensive explorations of hybrid technologies which focus on transversal aspects of human machine systems Practical discussions of human machine cooperation principles and methods for the design and evaluation of a brain computer interface Perfect for academic and technical researchers with an interest in HMS Handbook of Human Machine Systems will also earn a place in the libraries of technical professionals practicing in areas including computer science artificial intelligence cognitive science engineering psychology and neurobiology [Autocar](#), 1997 [VW Polo Petrol & Diesel Service & Repair Manual](#) R. M. Jex, 2007 Hatchback including special limited editions Does NOT cover features specific to Dune models or facelifted Polo range introduced June 2005 Petrol 1 2 litre 1198cc 3 cyl 1 4 litre 1390cc non FSI 4 cyl Does NOT cover 1 4 litre FSI engines Diesel 1 4 litre 1422cc 3 cyl 1 9 litre 1896cc 4 cyl inc PD TDI turbo

[Snow Country](#), 1994-12 In the 87 issues of Snow Country published between 1988 and 1999 the reader can find the defining coverage of mountain resorts ski technique and equipment racing cross country touring and the growing sport of snowboarding during a period of radical change The award winning magazine of mountain sports and living tracks the environmental impact of ski area development and people moving to the mountains to work and live [Selected Issues in Experimental Economics](#) Kesra Nermend, Małgorzata Łatuszyńska, 2016-03-24 The aim of this volume is to provide deep insights and the latest scientific developments and trends in experimental economics Derived from the 2015 Computational Methods in Experimental Economics CMEE conference this book features papers containing research and analysis of economic experiments concerning research in such areas as management science decision theory game theory marketing and political science The goal is to present possibilities for using various computer methods in the scope of experimental economics to further provide researchers with a wide variety of tools The field of experimental economics is rapidly evolving

Modern use of experimental economics requires the integration of knowledge in the domains of economic sciences computer science psychology and neuroscience Recent research includes experiments conducted both in the laboratory and in the field and the results are used for testing and a better understanding of economic theories Researchers working in this field use mainly a set of well established methods and computer tools that support the experiments Methods such as artificial intelligence computer simulation and computer graphics however are not represented enough in experimental economics studies and most experimenters do not consider their usage The goal of the conference and the enclosed papers is to allow for an exchange of experiences and to promote joint initiatives to insight change in this trend *Sustainable Automotive Technologies 2013* Jörg Wellnitz,Aleksandar Subic,Ramona Trufin,2013-09-24 This book captures selected peer reviewed papers presented at the 5th International Conference on Sustainable Automotive Technologies ICSAT 2013 held in Ingolstadt Germany ICSAT is the state of the art conference in the field of new technologies for transportation The book brings together the work of international researchers and practitioners under the following interrelated headings fuel transportation and storage material recycling manufacturing and management costs engines and emission reduction The book provides a very good overview of research and development activities focused on new technologies and approaches capable of meeting the challenges to sustainable mobility Moody's International Manual ,1998 *Black Enterprise* ,1998-11 BLACK ENTERPRISE is the ultimate source for wealth creation for African American professionals entrepreneurs and corporate executives Every month BLACK ENTERPRISE delivers timely useful information on careers small business and personal finance *Chilton's Import Auto Service Manual* ,2000 Contains general information for technicians on the specifications MIL resetting and DTC retrieval accessory drive belts timing belts brakes oxygen sensors electric cooling fans and heater cores of twenty one types of import cars Official Manual, State of Missouri Missouri. Office of the Secretary of State,1985 Perpetual Trouble Shooter's Manual John Francis Rider,1940 **Autocar & Motor** ,1994-06 *Transport Transitions: Advancing Sustainable and Inclusive Mobility* Ciaran McNally,Páraic Carroll,Beatriz Martinez-Pastor,Bidisha Ghosh,Marina Efthymiou,Nikolaos Valantasis-Kanellos,2025-10-04 This is an open access book It gathers the proceedings of the 10th edition of Transport Research Arena TRA 2024 held on 15 18 April 2024 in Dublin Ireland Contributions cover a wide range of research findings methodological aspects technologies and policy issues that are currently reshaping the transport and mobility system in different parts of Europe Bridging between academic research industrial developments and regulations this book offers a comprehensive review of the state of the art in transportation with a special emphasis on topics concerning digital transition in transport and inclusive and sustainable mobility alike This is the first volume of a 6 volume set **Audi 100 & A6 (91-97) Service and Repair Manual** Andrew Legg,Mark Coombs,1998 Saloon Estate inc special limited editions Does NOT cover Quattro S4 or S6 Petrol 1 8 litre 1781cc 2 0 litre 1984cc 2 3 litre 2309cc Does NOT cover V6 petrol engine Turbo Diesel 1 9 litre 1896cc 2 5 litre 2460cc **Cincinnati Magazine** ,1998-12 Cincinnati Magazine taps into the DNA of

the city exploring shopping dining living and culture and giving readers a ringside seat on the issues shaping the region
Kiplinger's Personal Finance ,1998-12 The most trustworthy source of information available today on savings and investments taxes money management home ownership and many other personal finance topics Health Education Index and Guide to Voluntary Social Welfare Organisations ,1970 **Consumers Digest** ,2001 U.K. Vet ,1999 Tempo ,2000

Getting the books **Manual K Audi A6** now is not type of inspiring means. You could not isolated going subsequent to book increase or library or borrowing from your friends to admission them. This is an extremely easy means to specifically acquire lead by on-line. This online declaration Manual K Audi A6 can be one of the options to accompany you taking into account having further time.

It will not waste your time. allow me, the e-book will certainly spread you further concern to read. Just invest tiny times to open this on-line notice **Manual K Audi A6** as without difficulty as evaluation them wherever you are now.

https://splashdogs.com/book/publication/Documents/June_Mathematics_Exampler_2014_Paper_1.pdf

Table of Contents Manual K Audi A6

1. Understanding the eBook Manual K Audi A6
 - The Rise of Digital Reading Manual K Audi A6
 - Advantages of eBooks Over Traditional Books
2. Identifying Manual K Audi A6
 - Exploring Different Genres
 - Considering Fiction vs. Non-Fiction
 - Determining Your Reading Goals
3. Choosing the Right eBook Platform
 - Popular eBook Platforms
 - Features to Look for in an Manual K Audi A6
 - User-Friendly Interface
4. Exploring eBook Recommendations from Manual K Audi A6
 - Personalized Recommendations
 - Manual K Audi A6 User Reviews and Ratings
 - Manual K Audi A6 and Bestseller Lists
5. Accessing Manual K Audi A6 Free and Paid eBooks

- Manual K Audi A6 Public Domain eBooks
 - Manual K Audi A6 eBook Subscription Services
 - Manual K Audi A6 Budget-Friendly Options
6. Navigating Manual K Audi A6 eBook Formats
- ePub, PDF, MOBI, and More
 - Manual K Audi A6 Compatibility with Devices
 - Manual K Audi A6 Enhanced eBook Features
7. Enhancing Your Reading Experience
- Adjustable Fonts and Text Sizes of Manual K Audi A6
 - Highlighting and Note-Taking Manual K Audi A6
 - Interactive Elements Manual K Audi A6
8. Staying Engaged with Manual K Audi A6
- Joining Online Reading Communities
 - Participating in Virtual Book Clubs
 - Following Authors and Publishers Manual K Audi A6
9. Balancing eBooks and Physical Books Manual K Audi A6
- Benefits of a Digital Library
 - Creating a Diverse Reading Collection Manual K Audi A6
10. Overcoming Reading Challenges
- Dealing with Digital Eye Strain
 - Minimizing Distractions
 - Managing Screen Time
11. Cultivating a Reading Routine Manual K Audi A6
- Setting Reading Goals Manual K Audi A6
 - Carving Out Dedicated Reading Time
12. Sourcing Reliable Information of Manual K Audi A6
- Fact-Checking eBook Content of Manual K Audi A6
 - Distinguishing Credible Sources
13. Promoting Lifelong Learning
- Utilizing eBooks for Skill Development

-
- Exploring Educational eBooks
14. Embracing eBook Trends
- Integration of Multimedia Elements
 - Interactive and Gamified eBooks

Manual K Audi A6 Introduction

Manual K Audi A6 Offers over 60,000 free eBooks, including many classics that are in the public domain. Open Library: Provides access to over 1 million free eBooks, including classic literature and contemporary works. Manual K Audi A6 Offers a vast collection of books, some of which are available for free as PDF downloads, particularly older books in the public domain. Manual K Audi A6 : This website hosts a vast collection of scientific articles, books, and textbooks. While it operates in a legal gray area due to copyright issues, its a popular resource for finding various publications. Internet Archive for Manual K Audi A6 : Has an extensive collection of digital content, including books, articles, videos, and more. It has a massive library of free downloadable books. Free-eBooks Manual K Audi A6 Offers a diverse range of free eBooks across various genres. Manual K Audi A6 Focuses mainly on educational books, textbooks, and business books. It offers free PDF downloads for educational purposes. Manual K Audi A6 Provides a large selection of free eBooks in different genres, which are available for download in various formats, including PDF. Finding specific Manual K Audi A6, especially related to Manual K Audi A6, might be challenging as theyre often artistic creations rather than practical blueprints. However, you can explore the following steps to search for or create your own Online Searches: Look for websites, forums, or blogs dedicated to Manual K Audi A6, Sometimes enthusiasts share their designs or concepts in PDF format. Books and Magazines Some Manual K Audi A6 books or magazines might include. Look for these in online stores or libraries. Remember that while Manual K Audi A6, sharing copyrighted material without permission is not legal. Always ensure youre either creating your own or obtaining them from legitimate sources that allow sharing and downloading. Library Check if your local library offers eBook lending services. Many libraries have digital catalogs where you can borrow Manual K Audi A6 eBooks for free, including popular titles. Online Retailers: Websites like Amazon, Google Books, or Apple Books often sell eBooks. Sometimes, authors or publishers offer promotions or free periods for certain books. Authors Website Occasionally, authors provide excerpts or short stories for free on their websites. While this might not be the Manual K Audi A6 full book , it can give you a taste of the authors writing style. Subscription Services Platforms like Kindle Unlimited or Scribd offer subscription-based access to a wide range of Manual K Audi A6 eBooks, including some popular titles.

FAQs About Manual K Audi A6 Books

What is a Manual K Audi A6 PDF? A PDF (Portable Document Format) is a file format developed by Adobe that preserves the layout and formatting of a document, regardless of the software, hardware, or operating system used to view or print it.

How do I create a Manual K Audi A6 PDF? There are several ways to create a PDF: Use software like Adobe Acrobat, Microsoft Word, or Google Docs, which often have built-in PDF creation tools. Print to PDF: Many applications and operating systems have a "Print to PDF" option that allows you to save a document as a PDF file instead of printing it on paper. Online converters: There are various online tools that can convert different file types to PDF.

How do I edit a Manual K Audi A6 PDF? Editing a PDF can be done with software like Adobe Acrobat, which allows direct editing of text, images, and other elements within the PDF. Some free tools, like PDFescape or Smallpdf, also offer basic editing capabilities.

How do I convert a Manual K Audi A6 PDF to another file format? There are multiple ways to convert a PDF to another format: Use online converters like Smallpdf, Zamzar, or Adobe Acrobat's export feature to convert PDFs to formats like Word, Excel, JPEG, etc. Software like Adobe Acrobat, Microsoft Word, or other PDF editors may have options to export or save PDFs in different formats.

How do I password-protect a Manual K Audi A6 PDF? Most PDF editing software allows you to add password protection. In Adobe Acrobat, for instance, you can go to "File" -> "Properties" -> "Security" to set a password to restrict access or editing capabilities. Are there any free alternatives to Adobe Acrobat for working with PDFs? Yes, there are many free alternatives for working with PDFs, such as: LibreOffice: Offers PDF editing features. PDFsam: Allows splitting, merging, and editing PDFs. Foxit Reader: Provides basic PDF viewing and editing capabilities. How do I compress a PDF file?

You can use online tools like Smallpdf, ILovePDF, or desktop software like Adobe Acrobat to compress PDF files without significant quality loss. Compression reduces the file size, making it easier to share and download. Can I fill out forms in a PDF file? Yes, most PDF viewers/editors like Adobe Acrobat, Preview (on Mac), or various online tools allow you to fill out forms in PDF files by selecting text fields and entering information. Are there any restrictions when working with PDFs?

Some PDFs might have restrictions set by their creator, such as password protection, editing restrictions, or print restrictions. Breaking these restrictions might require specific software or tools, which may or may not be legal depending on the circumstances and local laws.

Find Manual K Audi A6 :

june mathematics exemplar 2014 paper 1

just cause trophy guide

just work more than a job fulfilment

jvc model owner39s manual

june 2014 kingdom ministry

juvenile delinquency siegel 5th edition

~~june 2014 6663 question paper~~

~~june 2predicted paper higher~~

jungle lust english edition

june common exam 2013 question paper

~~jvc gr dvp3u digital camera repair manual~~

june 20c3 grade boundaries edexcel

just desserts a collection of bitesized delights english edition

jvc hr dd949ee service manual user guide

june 2physics paper grade 11

Manual K Audi A6 :

better atul gawande - Jul 22 2023

web atul gawande md mph is a surgeon writer and public health researcher he practices general and endocrine surgery at brigham and women s hospital and is professor in both the department of health policy and management at the harvard school of public health and the department of surgery at harvard medical school

better a surgeon s notes on performance new york university - Feb 17 2023

web this collection of essays by surgeon writer atul gawande author of complications a surgeon s notes on an imperfect science see annotation is organized into three parts diligence doing right and ingenuity and includes an introduction an afterword entitled suggestions for becoming a positive deviant and reference notes

better a surgeon s notes on performance paperback - Jan 16 2023

web the struggle to perform well is universal but nowhere is this drive to do better more important than in medicine in his new book atul gawande explores how doctors strive to close the gap between best intentions and best performance in the face of obstacles that sometimes seem insurmountable

better atul gawande free download borrow and streaming - Nov 14 2022

web apr 3 2007 better bookreader item preview better by atul gawande publication date 2007 04 03 topics essays health care issues medical essays medical medical nursing case studies internal medicine medicine miscellanea publisher metropolitan books collection

better read online free without download readanybook - Feb 05 2022

web better read free ebook by atul gawande in online reader directly on the web page select files or add your book in reader

better a surgeon s notes on performance by atul gawande - Mar 18 2023

web jan 22 2008 atul gawande is the author of four bestselling books complications a finalist for the national book award better the checklist manifesto and being mortal he is also a surgeon at brigham and women s hospital in boston a staff writer for the new yorker and a professor at harvard medical school and the harvard school of public

better a surgeon s notes on performance amazon com - May 20 2023

web jan 22 2008 atul gawande is the author of four bestselling books complications a finalist for the national book award better the checklist manifesto and being mortal he is also a surgeon at brigham and women s hospital in boston a staff writer for the new yorker and a professor at harvard medical school and the harvard school of public

atul gawande speaker ted - Dec 15 2022

web atul gawande is author of several best selling books including complications a surgeon s notes on an imperfect science better a surgeon s notes on performance being mortal medicine and what matters in the end and the checklist manifesto

better book summary by atul gawande allen cheng - Jun 09 2022

web nov 23 2020 his book better a surgeon s notes on performance explores how situations of risk really work because for dr gawande the difference between 99 success rate and 99.9 success rate can mean lives saved or lost this book is about the practice of medicine but it also discusses how to live a full and meaningful life

[atul gawande wikipedia](#) - Apr 07 2022

web gawande published his first book complications a surgeon s notes on an imperfect science containing revised versions of 14 of his articles for slate and the new yorker in 2002 it was a national book award finalist his second book better a surgeon s notes on performance was released in april 2007 it discusses three virtues that gawande

full article better taylor francis online - Apr 19 2023

web nov 13 2017 atul gawande better a surgeon s notes on performance atul gawande is a surgeon and writer most of his writing is about the practice of medicine from the training of doctors to the broader organization of health care

[better a surgeon s notes on performance amazon com](#) - Aug 11 2022

web in his new audiobook atul gawande explores how doctors strive to close the gap between best intentions and best performance in the face of obstacles that sometimes seem insurmountable his vivid stories take us to battlefield surgical tents in iraq to a polio outbreak in india and to malpractice courtrooms around the country

[atul gawande author of being mortal goodreads](#) - Oct 13 2022

web atul gawande is author of three bestselling books complications a finalist for the national book award better selected by

amazon.com as one of the ten best books of 2007 and the checklist manifesto his latest book is being mortal medicine and what matters in

[better summary and study guide supersummary](#) - Sep 12 2022

web harvard educated dr atul gawande is a staff writer for the new yorker a surgeon at brigham and women's hospital and founder of two nonprofits aimed at innovating surgical practices around the world he wrote better a surgeon's notes on performance to explore the attributes that make a good doctor

[better by atul gawande youtube](#) - May 08 2022

web aug 25 2023 in better a surgeon's notes on performance atul gawande invites readers into the intricate world of medicine using his experiences as a surgeon to explore the complex interplay between

better excerpt read free excerpt of better by atul gawande - Mar 06 2022

web excerpt from better by atul gawande plus links to reviews author biography more summary excerpt reviews beyond the book readalikes genres themes author bio

better a surgeon's notes on performance by atul gawande goodreads - Sep 24 2023

web apr 3 2007 but nowhere is this drive to do better more important than in medicine where lives are on the line with every decision in his new book atul gawande explores how doctors strive to close the gap between best intentions and best performance in the face of obstacles that sometimes seem insurmountable

better by atul gawande audiobook audible.com - Jul 10 2022

web in being mortal best selling author atul gawande tackles the hardest challenge of his profession how medicine can not only improve life but also the process of its ending medicine has triumphed in modern times transforming birth injury and infectious disease from harrowing to manageable

better a surgeon's notes on performance gawande atul - Aug 23 2023

web jan 22 2008 atul gawande is the author of several bestselling books complications a finalist for the national book award better the checklist manifesto and being mortal he is also a surgeon at brigham and women's hospital in boston a staff writer for the new yorker and a professor at harvard medical school and the harvard school of public

better a surgeon's notes on performance atul gawande - Jun 21 2023

web jan 22 2008 atul gawande macmillan jan 22 2008 health fitness 273 pages national bestseller the new york times bestselling author of being mortal and complications examines in riveting accounts of medical failure and triumph how success is achieved in a complex and risk filled profession

📖 📖 📖 📖 📖 📖 📖 📖 📖 📖 📖 📖 📖 📖 📖 - Jul 25 2022

web about press copyright contact us creators advertise developers terms privacy policy safety how youtube works test new

features press copyright contact us creators

Oct 08 2023

web nov 20 2019

aurat photos poster images photos wallpapers hd images - Apr 02 2023

web browse getty images premium collection of high quality authentic chut stock photos royalty free images and pictures
chut stock photos are available in a variety of sizes

chuda chuda photos hd images pictures stills - Jul 05 2023

web sep 11 2023 aurat photo gallery check out aurat latest photos poster and images download free aurat hd wallpapers hd images get the latest aurat photo gallery

lund - Nov 28 2022

web aug 12 2021 chut me land daal diya girl crying bf bhabhi ka doodh bur mein land devar ne

chut ke photo bal ke sat copy admin store motogp - Jan 19 2022

chut me bal ke photo pdf uniport edu - Feb 17 2022

web last update 2020 06 10 usage frequency 1 quality reference anonymous add a translation contextual translation of chut ke lambe bal into english human

chut ke photo in english with contextual examples mymemory - Mar 01 2023

web mar 27 2018 lund bada karne ke liye purush ko yaniki mard ladke ko apne lund ki dekhbal karne ki jarurat hai male ka lund ko purush ka ling aisa bolte

boor wala photos - Sep 26 2022

web boor wala photos page brings you a collection of photos from boor wala in firozpur district if you have any interesting images from boor wala please share with the rest of

chut ke lambe bal in english with contextual examples mymemory - Nov 16 2021

chut me land - Aug 26 2022

web jan 6 2023 hindi chutkule by funky life last updated 06 01 2023 hindi chutkule

chut photos and premium high res pictures getty - Dec 30 2022

web abhi to meri body jesi h lekin mujhe breast nippels body pe kyuki is ladke ki body me mera dam h

butt size [\[link\]](#) h [\[link\]](#) isme help kar

[\[link\]](#) **ladkiyo ki** - Aug 06 2023

web jun 28 2020 contextual translation of chut ke lambe bal photo into english human translations with examples hindi [\[link\]](#)

[\[link\]](#) pussy hair chut ke bal chut ke photo

[\[link\]](#) **gand ke baal kaise kaate jayen ask me fast** - Dec 18 2021

ladka ladki photos poster images photos wallpapers hd - Jun 04 2023

web jun 6 2017 add a translation contextual translation of chut ke photo into english human translations with examples hindi chut ke bal bur ke photo chut ke photo cut

chut ke bal youtube - Apr 21 2022

web chut ke photo bal ke sat sex studies index sex religion media selling sex on screen sex studies index 1980 radical history review volume 59 the lady s magazine or

[\[link\]](#) - Oct 28 2022

web jun 23 2018 apni biwi ka doodh or chut ka pani pi sakta hnu reply pappu on november 6 2019 10 51 pm haan bhai piyo aur sabko pilao reply abhi thakur on june 13 2021

boor wala photos gallery of boor wala pictures and images - Jun 23 2022

web aug 13 2017 new born photo channel 5 41 larki ne apne kapray utaar diye dekhien kia kar rhi hai couples resort 10 18 nangi larki ki video call us k boyfriend k sath 008

hindi chutkule 200 [\[link\]](#) **funky life** - May 23 2022

web aug 18 2023 if you plan to download and install the chut me bal ke photo it is entirely simple then previously currently we extend the colleague to purchase and make

chut image photos and premium high res pictures - Sep 07 2023

web aug 11 2023 download free ladka ladki hd wallpapers hd images get the latest ladka ladki photo gallery party photos and movie stills also stay updated on ladka ladki

nanhi larki apne boyfriend k sath kya kar rhi hai dailymotion - Mar 21 2022

web aapko relax hona chaye or ye sab nai sochna chaye hai agar hona hoga toh samay k saath saath sab theek se ho jayega relax kijiye aur apni suhagrat apni patni k saath enjoy

chut ke lambe bal photo in english with examples mymemory - May 03 2023

web contextual translation of girl ki chut ke bal cutting video into english human translations with examples chut ke bal girl cut wall girl cut image girl ki chut image english

[girl ki chut ke bal cutting vi in english with examples mymemory](#) - Jan 31 2023

web apr 15 2018 [new product and brand management marketing engineering applications arvind rangaswamy making things happen a report on the implementation of government efficiency scrutinies report to the prime minister andrew stott the optical rotating power of organic substances and its practical applications h landolt virginia sol](#)

new product and brand management marketing engineering - Dec 27 2021

web new product and brand management marketing engineering applications arvind rangaswamy making things happen a report on the implementation of government efficiency scrutinies report to the prime minister andrew stott the optical rotating power of organic substances and its practical applications h landolt virginia sol

new product and brand management marketing engineering - Feb 09 2023

web jan 1 1998 there is a newer edition of this item new product and brand management marketing engineering applications 49 03 1 usually ships within 4 to 6 weeks designed to supplement a course in new product or brand management includes selections from the text marketing engineering

new product and brand management marketing enginee pdf - Jan 28 2022

web apr 22 2023 new product and brand management marketing enginee below marketing management simultaneous engineering for new product development jack ribbens 2000 02 14 an integrated highly practical approach to product development using simultaneous engineering industrial engineers and designers as well as managers

[new product and brand management marketing engineering](#) - Mar 10 2023

web abebooks com new product and brand management marketing engineering applications 9780130084644 by lilien gary l rangaswamy arvind and a great selection of similar new used and collectible books available now at great prices

brand new wikipedia - Apr 30 2022

web brand new in marketing brand new products or services are created and promoted under a new brand this is a brand strategy alongside the brand stretching line extension and multi brands strategies 1 the brand new strategy is focused on creating and introducing new products effectively it involves researching a market to discover

[new product and brand management marketing engineering](#) - Oct 05 2022

web buy new product and brand management marketing engineering applications 1 by lilien gary l rangaswamy arvind isbn 9780321046437 from amazon s book store everyday low prices and free delivery on eligible orders

new product and brand management open library - Jan 08 2023

web oct 9 2002 new product and brand management marketing engineering applications second edition

[innovation management and new product development 4e](#) - Mar 30 2022

web the subject of innovation management is often treated as a series of separate specialisms rather than an integrated task the main aim of this book however is to bring together the areas of innovation management and new product development and to keep a strong emphasis on innovation as a management process

2023 product management trends pentalog - Aug 03 2022

web dec 26 2022 leading businesses are adopting new technologies faster creating innovative products against the clock in a race to stay relevant and keep customers engaged with so much at stake the role of the product manager or product owner has become more important than ever before let s take a look at the top trends in product

new product and brand management marketing engineering - Sep 04 2022

web buy new product and brand management marketing engineering applications by gary l lilien arvind rangaswamy online at alibris we have new and used copies available in 1 editions starting at 1 36

new product and brand management marketing enginee pdf - Jun 01 2022

web new product and brand management marketing enginee strategic retail management and brand management feb 28 2020 in this book a comprehensive coverage of major retailing topics and contemporary issues in retailing and branding is given including many cases and practical examples besides introducing the topic strategic

new product and brand management marketing engineering applications - Jul 14 2023

web new products management brand name products management brand name products management new products management marketing merken reclame productontwikkeling management markenartikel markenpolitiek neues produkt produktmanagement

new product and brand management marketing engineering - Aug 15 2023

web 1 0 1 değerlendirme tüm biçimleri ve sürümleri görün ciltsiz focusing on marketing analytics this popular series moves beyond conceptual marketing toward marketing engineering the use of interactive computer decision

new product and brand management marketing engineering - May 12 2023

web new product and brand management marketing engineering applications item preview remove circle share or embed this item share to twitter share to facebook share to reddit share to tumblr share to pinterest share via email

new product and brand management marketing engineering - Nov 06 2022

web buy new product and brand management marketing engineering applications 2nd edition 9780130084644 by gary l lilien and arvind rangaswamy for up to 90 off at textbooks com

new product and brand managment marketing engineering - Dec 07 2022

web oct 7 1998 new product and brand managment marketing engineering applications arvind rangaswamy 4 50 2 ratings0 reviews for undergraduate and graduate level marketing courses in market research marketing management and new product development and brand strategy this title focuses on marketing analytics

new products management irwin marketing amazon in - Feb 26 2022

web amazon in buy new products management irwin marketing book online at best prices in india on amazon in read new

products management irwin marketing book reviews author details and more at amazon in free delivery on qualified orders
brand management v s product management know key - Jul 02 2022

web nov 18 2022 effective brand management boosts brand awareness guides initiatives that support a constant brand statement measures and handles brand equity recognises and acclimates new brand products and effectively

new product and brand management marketing engineering applications - Jun 13 2023

web according to most new product and brand management texts the most common analytic problems correspond to segmentation targeting and positioning product design and new product forecasting we have selected the material in this book to meet those needs

new product and brand management google books - Apr 11 2023

web focusing on marketing analytics this popular series moves beyond conceptual marketing toward marketing engineering the use of interactive computer decision models to help support marketing decisions