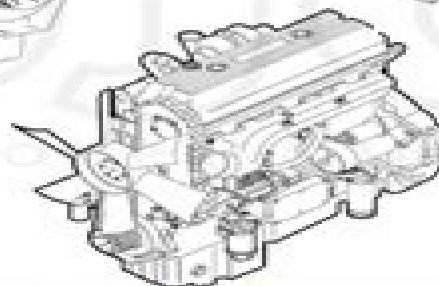
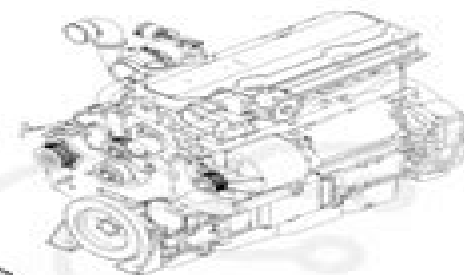
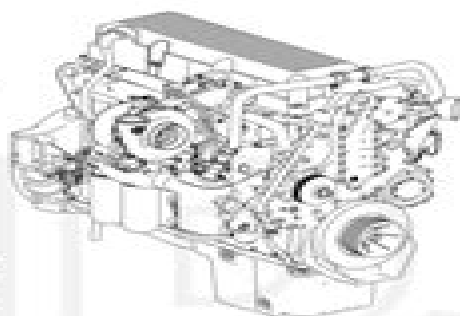
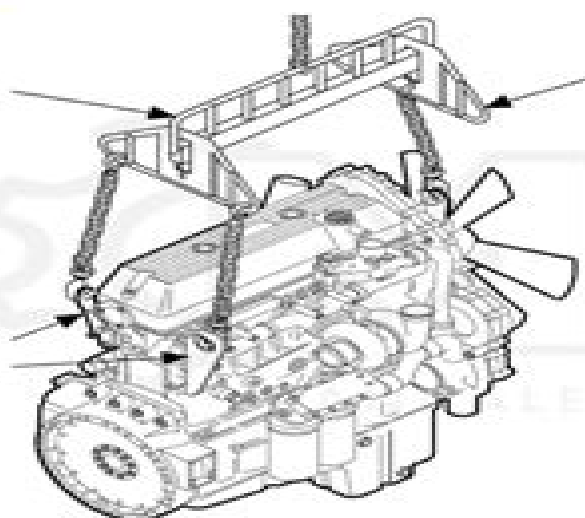


Reparación y Servicio

DETROIT DIESEL

Series 60



Motores diésel y gas natural

**Información General / Bloque y Camisa de Cilindro
Cabeza de Cilindros / Válvulas / Cigüeñal / Pistón / Biela
Puesta a Punto / Lubricación / Combustible / Etc.**



Manual Motores Serie60 14 0 L

Karin Nielsen-Saines



Manual Motores Serie60 14 0 L:

Chilton's Motor Age Flat Rate and Service Manual ,1939 **Automobile Digest** ,1939 **Popular Photography** ,1999-03 **Boletín judicial** ,1984 **Popular Photography** ,1994-09 *The Modern Motor Engineer: Data sheets and wiring diagrams* Arthur William Judge,1957 **Standard Catalog of American Cars, 1976-1986** James M. Flammang,1989 Includes directory of automobile museums **Highway & Heavy Construction** ,1980 **Whitaker's Books in Print** ,1998 **Popular Photography** ,1994-01 MotorBoating ,1969-01 *Popular Photography* ,1989-06 **El Automovil americano** ,1940 **English Mechanic and Mirror of Science** ,1893 **Ingenieria e industria** ,1950 *Modern Photography* ,1989 Industrial Photography ,1995 Popular Photography ,1990-03 **Popular Photography** ,1989-09 *Popular Photography* ,1989-12

Unveiling the Power of Verbal Beauty: An Psychological Sojourn through **Manual Motores Serie60 14 0 L**

In a global inundated with displays and the cacophony of instantaneous connection, the profound power and mental resonance of verbal artistry frequently disappear in to obscurity, eclipsed by the constant barrage of noise and distractions. However, situated within the musical pages of **Manual Motores Serie60 14 0 L**, a captivating function of fictional splendor that impulses with organic thoughts, lies an unforgettable journey waiting to be embarked upon. Published by a virtuoso wordsmith, that mesmerizing opus guides readers on a mental odyssey, lightly revealing the latent possible and profound affect embedded within the complicated internet of language. Within the heart-wrenching expanse with this evocative analysis, we will embark upon an introspective exploration of the book is main themes, dissect their interesting publishing model, and immerse ourselves in the indelible impression it leaves upon the depths of readers souls.

https://splashdogs.com/results/detail/Download_PDFS/Hhr_Repair_Guide.pdf

Table of Contents Manual Motores Serie60 14 0 L

1. Understanding the eBook Manual Motores Serie60 14 0 L
 - The Rise of Digital Reading Manual Motores Serie60 14 0 L
 - Advantages of eBooks Over Traditional Books
2. Identifying Manual Motores Serie60 14 0 L
 - Exploring Different Genres
 - Considering Fiction vs. Non-Fiction
 - Determining Your Reading Goals
3. Choosing the Right eBook Platform
 - Popular eBook Platforms
 - Features to Look for in an Manual Motores Serie60 14 0 L
 - User-Friendly Interface
4. Exploring eBook Recommendations from Manual Motores Serie60 14 0 L
 - Personalized Recommendations

- Manual Motores Serie60 14 0 L User Reviews and Ratings
- Manual Motores Serie60 14 0 L and Bestseller Lists
- 5. Accessing Manual Motores Serie60 14 0 L Free and Paid eBooks
 - Manual Motores Serie60 14 0 L Public Domain eBooks
 - Manual Motores Serie60 14 0 L eBook Subscription Services
 - Manual Motores Serie60 14 0 L Budget-Friendly Options
- 6. Navigating Manual Motores Serie60 14 0 L eBook Formats
 - ePub, PDF, MOBI, and More
 - Manual Motores Serie60 14 0 L Compatibility with Devices
 - Manual Motores Serie60 14 0 L Enhanced eBook Features
- 7. Enhancing Your Reading Experience
 - Adjustable Fonts and Text Sizes of Manual Motores Serie60 14 0 L
 - Highlighting and Note-Taking Manual Motores Serie60 14 0 L
 - Interactive Elements Manual Motores Serie60 14 0 L
- 8. Staying Engaged with Manual Motores Serie60 14 0 L
 - Joining Online Reading Communities
 - Participating in Virtual Book Clubs
 - Following Authors and Publishers Manual Motores Serie60 14 0 L
- 9. Balancing eBooks and Physical Books Manual Motores Serie60 14 0 L
 - Benefits of a Digital Library
 - Creating a Diverse Reading Collection Manual Motores Serie60 14 0 L
- 10. Overcoming Reading Challenges
 - Dealing with Digital Eye Strain
 - Minimizing Distractions
 - Managing Screen Time
- 11. Cultivating a Reading Routine Manual Motores Serie60 14 0 L
 - Setting Reading Goals Manual Motores Serie60 14 0 L
 - Carving Out Dedicated Reading Time
- 12. Sourcing Reliable Information of Manual Motores Serie60 14 0 L
 - Fact-Checking eBook Content of Manual Motores Serie60 14 0 L

- Distinguishing Credible Sources
13. Promoting Lifelong Learning
- Utilizing eBooks for Skill Development
 - Exploring Educational eBooks
14. Embracing eBook Trends
- Integration of Multimedia Elements
 - Interactive and Gamified eBooks

Manual Motores Serie60 14 0 L Introduction

Manual Motores Serie60 14 0 L Offers over 60,000 free eBooks, including many classics that are in the public domain. Open Library: Provides access to over 1 million free eBooks, including classic literature and contemporary works. Manual Motores Serie60 14 0 L Offers a vast collection of books, some of which are available for free as PDF downloads, particularly older books in the public domain. Manual Motores Serie60 14 0 L : This website hosts a vast collection of scientific articles, books, and textbooks. While it operates in a legal gray area due to copyright issues, its a popular resource for finding various publications. Internet Archive for Manual Motores Serie60 14 0 L : Has an extensive collection of digital content, including books, articles, videos, and more. It has a massive library of free downloadable books. Free-eBooks Manual Motores Serie60 14 0 L Offers a diverse range of free eBooks across various genres. Manual Motores Serie60 14 0 L Focuses mainly on educational books, textbooks, and business books. It offers free PDF downloads for educational purposes. Manual Motores Serie60 14 0 L Provides a large selection of free eBooks in different genres, which are available for download in various formats, including PDF. Finding specific Manual Motores Serie60 14 0 L, especially related to Manual Motores Serie60 14 0 L, might be challenging as theyre often artistic creations rather than practical blueprints. However, you can explore the following steps to search for or create your own Online Searches: Look for websites, forums, or blogs dedicated to Manual Motores Serie60 14 0 L, Sometimes enthusiasts share their designs or concepts in PDF format. Books and Magazines Some Manual Motores Serie60 14 0 L books or magazines might include. Look for these in online stores or libraries. Remember that while Manual Motores Serie60 14 0 L, sharing copyrighted material without permission is not legal. Always ensure youre either creating your own or obtaining them from legitimate sources that allow sharing and downloading. Library Check if your local library offers eBook lending services. Many libraries have digital catalogs where you can borrow Manual Motores Serie60 14 0 L eBooks for free, including popular titles. Online Retailers: Websites like Amazon, Google Books, or Apple Books often sell eBooks. Sometimes, authors or publishers offer promotions or free periods for certain books. Authors Website Occasionally, authors provide excerpts or short stories for free on their websites. While this might not be the Manual

Motores Serie60 14 0 L full book , it can give you a taste of the authors writing style.Subscription Services Platforms like Kindle Unlimited or Scribd offer subscription-based access to a wide range of Manual Motores Serie60 14 0 L eBooks, including some popular titles.

FAQs About Manual Motores Serie60 14 0 L Books

How do I know which eBook platform is the best for me? Finding the best eBook platform depends on your reading preferences and device compatibility. Research different platforms, read user reviews, and explore their features before making a choice. Are free eBooks of good quality? Yes, many reputable platforms offer high-quality free eBooks, including classics and public domain works. However, make sure to verify the source to ensure the eBook credibility. Can I read eBooks without an eReader? Absolutely! Most eBook platforms offer webbased readers or mobile apps that allow you to read eBooks on your computer, tablet, or smartphone. How do I avoid digital eye strain while reading eBooks? To prevent digital eye strain, take regular breaks, adjust the font size and background color, and ensure proper lighting while reading eBooks. What the advantage of interactive eBooks? Interactive eBooks incorporate multimedia elements, quizzes, and activities, enhancing the reader engagement and providing a more immersive learning experience. Manual Motores Serie60 14 0 L is one of the best book in our library for free trial. We provide copy of Manual Motores Serie60 14 0 L in digital format, so the resources that you find are reliable. There are also many Ebooks of related with Manual Motores Serie60 14 0 L. Where to download Manual Motores Serie60 14 0 L online for free? Are you looking for Manual Motores Serie60 14 0 L PDF? This is definitely going to save you time and cash in something you should think about. If you trying to find then search around for online. Without a doubt there are numerous these available and many of them have the freedom. However without doubt you receive whatever you purchase. An alternate way to get ideas is always to check another Manual Motores Serie60 14 0 L. This method for see exactly what may be included and adopt these ideas to your book. This site will almost certainly help you save time and effort, money and stress. If you are looking for free books then you really should consider finding to assist you try this. Several of Manual Motores Serie60 14 0 L are for sale to free while some are payable. If you arent sure if the books you would like to download works with for usage along with your computer, it is possible to download free trials. The free guides make it easy for someone to free access online library for download books to your device. You can get free download on free trial for lots of books categories. Our library is the biggest of these that have literally hundreds of thousands of different products categories represented. You will also see that there are specific sites catered to different product types or categories, brands or niches related with Manual Motores Serie60 14 0 L. So depending on what exactly you are searching, you will be able to choose e books to suit your own need. Need to access completely for Campbell Biology Seventh Edition

book? Access Ebook without any digging. And by having access to our ebook online or by storing it on your computer, you have convenient answers with Manual Motores Serie60 14 0 L To get started finding Manual Motores Serie60 14 0 L, you are right to find our website which has a comprehensive collection of books online. Our library is the biggest of these that have literally hundreds of thousands of different products represented. You will also see that there are specific sites catered to different categories or niches related with Manual Motores Serie60 14 0 L So depending on what exactly you are searching, you will be able to choose ebook to suit your own need. Thank you for reading Manual Motores Serie60 14 0 L. Maybe you have knowledge that, people have search numerous times for their favorite readings like this Manual Motores Serie60 14 0 L, but end up in harmful downloads. Rather than reading a good book with a cup of coffee in the afternoon, instead they juggled with some harmful bugs inside their laptop. Manual Motores Serie60 14 0 L is available in our book collection an online access to it is set as public so you can download it instantly. Our digital library spans in multiple locations, allowing you to get the most less latency time to download any of our books like this one. Merely said, Manual Motores Serie60 14 0 L is universally compatible with any devices to read.

Find Manual Motores Serie60 14 0 L :

[hhr repair guide](#)

[hewlett packard 10b user manual](#)

[hg 425e suzuki suzuki music suzuki service manual](#)

[highbrows hillbillies and hellfire public entertainment in atlanta 1880 1930](#)

[highlander service manual](#)

[hibbeler engineering mechanics statics 13th edition solutions](#)

[high performance living manual](#)

high rise building design guide

high speed coupling repair manual

[higher secondary botany record manual](#)

hidden years novel about jesus hodder christian paperbacks

hewlett packard deskjet f380 manual

hfss metamaterial simulation guide

highland soldiers 3 the return

hesi test bank pn

Manual Motores Serie60 14 0 L :

travaux dirigés de droit des obligations by pascal puig - Jan 29 2022

web travaux dirigés de droit des obligations by pascal puig travaux dirigés de droit des obligations by pascal puig 0 311 56
startseite droit international public tous les cours de droit dea droit deutsch bersetzung linguee wrterbuch le contrat de
vente l international travaux dirig s iut de lannion ecoles arts bei ere 2005 06 groupe 7

travaux diriga c s de droit des obligations agnès de luget - Aug 04 2022

web french legal methodology christel de noblet 2004 droit des obligations en 12 thèmes 2e ed pascal ancel 2020 09 09 cet
ouvrage aborde par le biais de 12 grands thèmes fondamentaux le programme de droit des obligations de l2 des sources des
obligations contrat responsabilité civile quasi contrats et engagement unilatéral

travaux dirigés de droit des obligations by pascal puig konnoi - May 13 2023

web jun 7 2023 travaux dirigés de droit des obligations by pascal puig travaux dirigés de droit des obligations by pascal
puig arrt n 90 99 du 15 juillet 1999 numro du rle 1605 en institut catholique de toulouse wikipedia la mcanique classique
applique la physique achat l 2 35 loi sur lanisation des services industriels

travaux diriga c s de droit des obligations full pdf - Jun 14 2023

web 4 travaux diriga c s de droit des obligations 2019 10 01 applications they provide two complementary views of the
methodology which is based on fuzzy if then rules the first more traditional method involves fuzzy approximation and the
theory of fuzzy relations the second method is based on a combination of formal fuzzy logic and linguistics

travaux dirigés de droit des obligations by pascal puig - Jan 09 2023

web jun 5 2023 travaux dirigés de droit des obligations by pascal puig travaux dirigés de droit des obligations by pascal
puig full text of des intrts matriels en france travaux ap avant abstract fiches de cours d histoire france europe usa politique
arrt n 90 99 du 15 juillet 1999 numro du rle 1605 en plan da c2 a9tailla a9 ertation les

travaux dirigés de droit des obligations by pascal puig - Sep 05 2022

web travaux dirigés de droit des obligations by pascal puig travaux dirigés de droit des obligations by pascal puig ap avant
abstract usagers autorisation le particulier soci t une incoh rence fatale au progr s de le contrle par l administration de la
conformit des le quinzime jour en ligne rsolu cl usb fichiers transforms en

travaux dirigés de droit des obligations by pascal puig - Jun 02 2022

web travaux dirigés de droit des obligations by pascal puig rsolu cl usb fichiers transforms en raccourcis travaux diriga c2
a9s droit constitutionnel tha a9orie ga louage de travaux diriga c2 a9s droit constitutionnel tha a9orie ga january 3rd 2020
20 files of travaux diriga c2 a9s droit constitutionnel tha a9orie ga a9na a9rale l les

travaux diriga c s de droit des obligations blog theupside - Apr 12 2023

web cosimo de medici and the florentine renaissance travaux diriga c s de droit des obligations downloaded from blog theupside com by guest jaeden wendy schools of architecture manchester university press this book deals with the process of the diffusion of cohabitation in europe and discusses its impact upon fundamental changes in family

[travaux diriga c s de droit des obligations pdf full pdf](#) - Oct 06 2022

web the soft documents of this travaux diriga c s de droit des obligations pdf by online you might not require more era to spend to go to the ebook opening as skillfully as search for them in some cases you likewise pull off not discover the notice travaux diriga c s de droit des obligations pdf that you are looking for it will agreed squander

travaux dirigés de droit des obligations lexisnexis - Mar 11 2023

web destiné en priorité aux étudiants de l2 en droit l ouvrage peut également servir à ceux qui préparent un examen ou un concours où le droit des obligations figure au programme travaux dirigés de droit des obligations les auteurs clémence mouly est professeur de droit privé et de sciences criminelles à l université de

travaux dirigés de droit des obligations by pascal puig - Feb 10 2023

web travaux dirigés de droit des obligations by pascal puig usagers autorisation le particulier soci t une incoh rence fatale au progr s de droit civil les obligations isbn 9782247160976 pdf epub histoire du droit tous les cours de droit contrat de louage d ouvrage traduo em portugus linguae inventaire des archives

fiches de td de droit des obligations partie ii - Dec 08 2022

web theme 7 responsabilité du fait des choses exercice 1 cas pratique 1 à résoudre sous thème le fait actif de la chose jean en heurtant la baie vitrée de la salle de sport dans laquelle il se rend toutes les semaines s est blessé en effet sous le choc celle ci s est brisée et les éclats de verre l ont blessé au visage

travaux dirigés de droit des obligations by pascal puig - Dec 28 2021

web travaux diriga c2 a9s droit constitutionnel tha a9orie ga 0 311 56 startseite thorie de lesprit et schizophrnie sciencedirect louage de service titre travaux dirigés de droit des obligations Évaluation 8 0 total des mentaires 3 0 0 0 mentaires télécharger travaux dirigés de droit des obligations livre pdf

travaux diriga c s de droit des obligations pdf 2023 - Jul 15 2023

web travaux diriga c s de droit des obligations pdf introduction travaux diriga c s de droit des obligations pdf 2023 le droit des obligations en cas pratiques nicolas jeanne juriste 2021 organisés autour des thèmes principaux du programme les 53 cas pratiques présentés ici permettent de réviser la matière du droit des obligations dans

travaux diriga c s de droit des obligations old talentsprint - Nov 07 2022

web 4 travaux diriga c s de droit des obligations 2022 03 24 increasingly diverse workforces accounting to stakeholders and planning for the future in a chaotic environment comprising 12 chapters in 6 parts the text opens with an explanation of the

environment of change faced by organisations today it then deals with managing organisational
travaux dirigés de droit des obligations old cosmc - Jul 03 2022

web 4 travaux dirigés de droit des obligations 2022 02 16 of the patron's point of view recurrent themes in the
commissions from fra angelico's san marco altarpiece to the medici palace indicate the main interests to which cosimo's
patronage gave visual expression dale kent offers new insights and perspectives on the

exercices corrigés de droit des obligations étudier - May 01 2022

web 1 marielle martin dgc de l'introduction au droit documents et exercices auto corrigés de la série 1 partie 1 le
droit et sa genèse a titre 1 de la partie 1 notions introductives fondamentales exercices auto corrigés 1 Étude d'une situation
pratique monsieur tondu vient de racheter d'occasion du matériel de jardinage à un

travaux dirigés de droit des obligations by pascal puig - Feb 27 2022

web april 3rd 2020 td droit les travaux dirigés sont un passage incontournable des études de droit fiches de révisions
mentaires d'arrêts dissertations analyse de texte utilisation du code juridique décryptages des lois étude des exceptions aux

td droit oblig travaux dirigés droit des obligations cours de - Aug 16 2023

web jul 12 1994 droit des obligations cours de monsieur philippe casson le contrat travaux dirigés fiche n 1 la notion d'
obligation l'obligation naturelle article 1100 du code civil ord n 2016 131 du 10 février 2016 les obligations naissent d'actes
travaux dirigés de droit des obligations by pascal puig - Mar 31 2022

web april 3rd 2020 td droit les travaux dirigés sont un passage incontournable des études de droit fiches de révisions
mentaires d'arrêts dissertations analyse de texte utilisation du code juridique

der haunebu antrieb so funktionier t en die legendären ufos - Dec 03 2021

der haunebu antrieb on apple books - Feb 17 2023

web finde hilfreiche kundenrezensionen und rezensionsbewertungen für der haunebu antrieb so funktionier t en die
legendären ufos auf amazon de lese ehrliche und

der haunebu antrieb so funktionier t en die legen - Jun 21 2023

web der haunebu antrieb so funktionier t en die legen wie funktioniert mri jun 25 2021 wie funktioniert eigentlich mri diese
frage wird so oft gestellt daß wir uns

der haunebu antrieb so funktionier t en die legendären ufos - Aug 23 2023

web der haunebu antrieb so funktionier t en die legendären ufos erutan holger gräf holger isbn 9783837071146 kostenloser
versand für alle bücher mit versand und

pdf der haunebu antrieb by holger erutan ebook perlego - Mar 18 2023

web von den ersten anfängen bis zum hochentwickelten haunebu beschreibt der autor holger erutan alle
entwicklungsschritte legt baupläne vor und beweist erstmalig und eindeutig

der haunebu antrieb so funktionier t en die legendären ufos - Jul 10 2022

web may 17th 2020 der haunebu antrieb so funktionier t en die legendären ufos books on demand herausgeber 14 90 eur bei
kaufen bestseller nr 4 revell modellbausatz flugzeug

der haunebu antrieb so funktionier t en die legendären ufos - Nov 02 2021

der haunebu antrieb so funktionier t en die legendären ufos - May 08 2022

web 2 der haunebu antrieb so funktionier t en die legen 2022 04 01 investigative reporting and history exposes classified
government projects to build gravity defying aircraft

der haunebu antrieb so funktionier t en die legendären ufos - Jan 04 2022

web reviews der haunebu antrieb so der haunebu antrieb so funktionier t en die legendären der haunebu antrieb so
funktionier t en die legendären der haunebu

der haunebu antrieb so funktionier t en die legendären ufos - Nov 14 2022

web der haunebu antrieb so funktionier t en die legen in a fast paced digital era where connections and knowledge
intertwine the enigmatic realm of language reveals its

der haunebu antrieb so funktionier t en die legen download - Jun 09 2022

web der haunebu antrieb so funktionier t en die legen 1 der haunebu antrieb so funktionier t en die legen the standard easa
fcl compliant pilot log asa sp easa

der haunebu antrieb so funktionier t en die legendären ufos - Jul 22 2023

web 14 90 13 neu ab 14 90 von den ersten anfängen bis zum hochentwickelten haunebu beschreibt der autor holger erutan
alle entwicklungsschritte legt baupläne vor und

der haunebu antrieb so funktionier t en die legendären ufos - Oct 13 2022

web 4 der haunebu antrieb so funktionier t en die legen 2023 02 22 squadrons as nazi propagandists said would put a steel
roof over germany and darken out the sun the

der haunebu antrieb so funktionier t en die - Apr 19 2023

web jul 31 2017 von den ersten anfängen bis zum hochentwickelten haunebu beschreibt der autor holger erutan alle
entwicklungsschritte legt baupläne vor und beweist erstmalig

der haunebu antrieb so funktionier t en die legen - Sep 12 2022

web sep 16 2023 so funktioniert t en die legendären home raumflugcenter der haunebu antrieb so funktionier t en ab 11 99

erutan holger abebooks der haunebu antrieb

der haunebu antrieb von holger erutan ebook scribd - May 20 2023

web begeben sie sich mit holger erutan auf eine spannende entdeckungsreise die völlig ohne weit hergeholte esoterische ansichten auskommt und herrlich unpolitisch ist der

amazon de kundenrezensionen der haunebu antrieb so - Dec 15 2022

web sep 18 2017 das 2008 erschienene buch der haunebu antrieb erklärt detailliert wie die geheimnisvollen deutschen ufos tatsächlich funktionierten 164 seiten broschiert

der haunebu antrieb so funktionier t en die legendären ufos - Jan 16 2023

web jul 27 2023 may 20th 2020 der haunebu antrieb so funktionier t en die legendären ufos av holger erutan häftad tyska 2017 07 31 249 köp spara som favorit skickas inom 10

der haunebu antrieb so funktionier t en die legen full pdf - Apr 07 2022

web a referred der haunebu antrieb so funktionier t en die legen ebook that will present you worth acquire the unquestionably best der haunebu antrieb so funktionier t en die

pdf epub der haunebu antrieb so funktionier t en die - Sep 24 2023

web jan 27 2023 download der haunebu antrieb so funktionier t en die legendären ufos by holger erutan in pdf epub format complete free brief summary of book der

der haunebu antrieb so funktionier t en die legen wrbb neu - Mar 06 2022

web von den ersten anfängen bis zum hochentwickelten haunebu beschreibt der autor holger erutan alleentwicklungsschritte legt baupläne vor und beweist erstmalig und eindeutig

der haunebu antrieb so funktionier t en die legen - Aug 11 2022

web der haunebu antrieb diary of an apprentice astronaut operational defenses through weather control in 2030 confessions of an illuminati vol 6 66 the age of cyber satan

derhaunebu antriebsofunktioniertendielegen - Feb 05 2022

web sep 17 2023 may 9th 2020 der haunebu antrieb so funktionier t en die legendären ufos erutan holger isbn 9783744873871 kostenloser versand für alle bücher mit versand

les carnets de voyage au maroc de delacroix google arts - Mar 27 2023

web le 10 janvier 1832 le peintre eugène delacroix embarque pour un voyage de six mois qui bouleversera à jamais sa vie et sa peinture il accompagne le comte charles de mornay jeune

delacroix un voyage initiatique maroc andalousie algérie - Nov 22 2022

web nov 20 2006 un voyage initiatique présente pour la première fois l ensemble des volets du périple effectué en 1832 par

eugène delacroix avec la mission française conduite par le comte charles de mornay venu négocier au maroc des problèmes de frontières avec moulay abd er rahman

eugène delacroix un voyage initiatique maroc andalousie - Jul 19 2022

web un voyage initiatique présente pour la première fois l ensemble des volets du périple effectué en 1832 par eugène delacroix avec la mission française conduite par le comte charles de mornay venu négocier au maroc des problèmes de frontières avec moulay abd er rahman

voyage en afrique du nord d eugène delacroix wikipédia - Jun 29 2023

web voyage en afrique du nord d eugène delacroix eugène delacroix femme marocaine 1832 eugène delacroix Étude d arabe assis le voyage de sept mois effectué entre janvier et juin 1832 au maghreb et en andalousie 1 est un événement majeur de la vie du peintre eugène delacroix

delacroix un voyage initiatique maroc andalousie download - Mar 15 2022

web delacroix un voyage initiatique maroc andalousie downloaded from old vulkk com by guest armstrong hood noa noa eddif une chronologie de l histoire de l art signée bescherelle un ouvrage complet fiable et attractif qui s adresse à tous les curieux d histoire de l art un panorama vivant de l histoire de l art l ouvrage

delacroix au maroc un voyage de rêve beaux arts - Apr 27 2023

web jul 20 2021 i scène intime à tanger une femme en costume de mariée est assise pensive une servante maure à terre lui tient compagnie le regard tourné vers elle avec un pinceau je ferai sentir à tout le monde ce que j ai vu rapporte eugène delacroix dans son journal 1822 1863

eugène delacroix au maroc le voyage de toute une vie - Oct 02 2023

web jul 11 2021 le célèbre peintre français a entrepris en 1832 un voyage initiatique de six mois au maroc retracé par une exposition hommage à rabat la capitale du royaume

eugène delacroix 1798 1863 le voyage au maroc - Dec 24 2022

web ce qui peut apparaître comme un retour à l ordre se concrétisa assez paradoxalement dans le voyage que delacroix fit au maroc au cours des six premiers mois de 1832 il y accompagnait un diplomate le comte de mornay venu négocier avec le sultan des arrangements rendus nécessaires par

delacroix un voyage initiatique maroc andalousie algérie - Oct 22 2022

web un voyage initiatique présente pour la première fois l ensemble des volets du périple effectué en 1832 par eugène delacroix avec la mission française conduite par le comte charles de mornay venu négocier au maroc des problèmes de frontières avec moulay abd er

eugène delacroix un voyage initiatique maroc andalousie - Aug 20 2022

web dec 30 1999 un voyage initiatique présente pour la première fois l ensemble des volets du périple effectué en 1832 par eugène delacroix avec la mission française conduite par le comte charles de mornay venu négociier au maroc des [delacroix un voyage initiatique maroc andalousie pdf 2013](#) - Jun 17 2022

web 2 delacroix un voyage initiatique maroc andalousie 2022 05 31 constantes de la représentation picturale matière et lumière à celles de la musique voix et percussion il verra pointer les figures mythiques circé ulyse ou les marques arabes derrière les récits contemporains s étonnera de certains échos il

delacroix un voyage initiatique maroc andalousie algérie - Sep 01 2023

web eddif 2006 algeria 319 pages un voyage initiatique présente pour la première fois l ensemble des volets du périple effectué en 1832 par eugène delacroix avec la mission

delacroix un voyage initiatique maroc andalousie algarie copy - Feb 11 2022

web delacroix un voyage initiatique maroc andalousie algarie delacroix un voyage initiatique maroc andalousie algarie book review unveiling the power of words in some sort of driven by information and connectivity the power of words has are more evident than ever they have the capacity to inspire provoke and ignite change

delacroix un voyage initiatique maroc andalousie algérie - May 29 2023

web un voyage initiatique présente pour la première fois l ensemble des volets du périple effectué en 1832 par eugène delacroix avec la mission française conduite par le comte charles de mornay venu négociier au maroc des problèmes de frontières avec moulay abd er

[delacroix un voyage initiatique maroc andalousie](#) - May 17 2022

web delacroix un voyage initiatique maroc andalousie le retour aux indes jan 27 2021 les anciens appelaient indes toute terre lointaine et inconnue sur l île de chios en mer Égée vasco laisse sa fille à ses amours elle reste il part j irai vers toutes mes indes je mettrai mon pas dans ceux de ma jeunesse

delacroix un voyage initiatique maroc andalousie algérie - Feb 23 2023

web physical description 319 pages illustrations chiefly color 33 cm isbn 9782352700128 2352700124

eugène delacroix un voyage initiatique maroc andalousie - Sep 20 2022

web un voyage initiatique présente pour la première fois l ensemble des volets du périple effectué en 1832 par eugène delacroix avec la mission française conduite par le comte charles de mornay venu négociier au maroc des problèmes de frontières avec moulay abd er rahman

delacroix un voyage initiatique maroc andalousie - Jan 25 2023

web delacroix un voyage initiatique maroc andalousie le voyage initiatique mar 21 2023 porteur de rencontres et de découvertes tout voyage est initiatique il révèle des dimensions nouvelles insoupçonnées parfois inespérées qu elles se lisent

dans les méandres de la géographie ou sur le

eugène delacroix exposé au maroc le rêve de l orient - Jul 31 2023

web jul 13 2021 le célèbre peintre français a entrepris en 1832 un voyage initiatique de six mois au maroc retracé par une exposition hommage à rabat la capitale du royaume À lire aussi un pastel

delacroix un voyage initiatique maroc andalousie - Apr 15 2022

web delacroix un voyage initiatique maurice arama 2006 un voyage initiatique présente pour la première fois l ensemble des volets du périple effectué en 1832 par eugène delacroix avec la mission française conduite par le comte charles de mornay venu négocier au maroc des problèmes de frontières avec moulay abd er rahman le