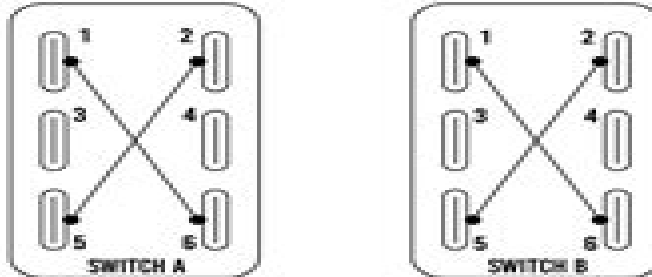


STEP 1: CONNECT TERMINAL 1 TO TERMINAL 6, AND TERMINAL 2 TO TERMINAL 5 ON BOTH SWITCHES

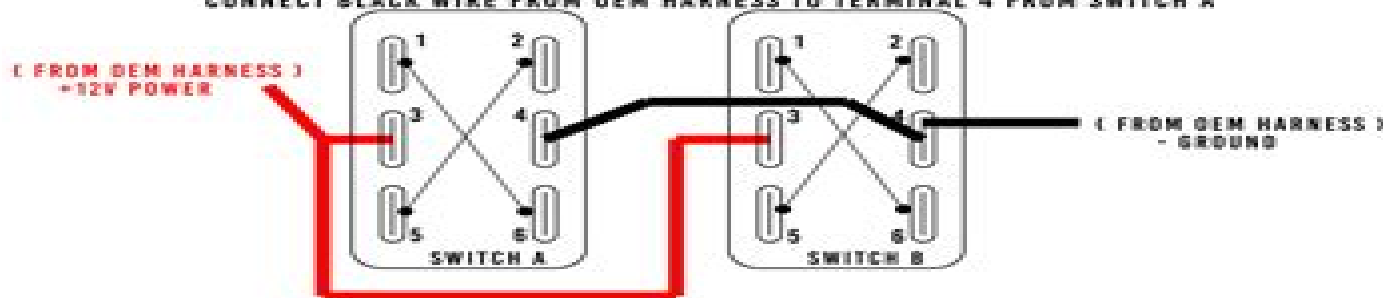


NA MIATA POWER WINDOW WIRING DIAGRAM

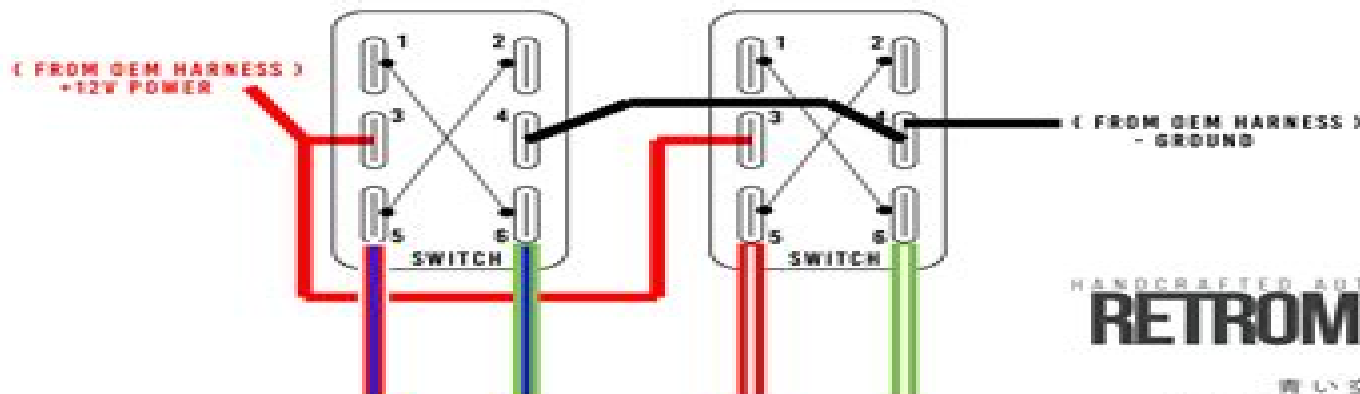
FOR RETRO-INSPIRED TOGGLE SWITCH MODIFICATION

INFORMATION PROVIDED ON AN "AS-IS" BASIS. RETROMODERN USA IS NOT LIABLE FOR ANY DAMAGES THAT MAY OCCUR FROM THE USE OF THIS INFORMATION.

STEP 2: CONNECT TERMINAL 3 FROM SWITCH A TO TERMINAL 3 FROM SWITCH B.
CONNECT TERMINAL 4 FROM SWITCH A TO TERMINAL 4 FROM SWITCH B.
CONNECT RED WIRE FROM DEM HARNESS TO TERMINAL 3 FROM SWITCH A
CONNECT BLACK WIRE FROM DEM HARNESS TO TERMINAL 4 FROM SWITCH A



STEP 3: CONNECT TERMINAL 5 FROM SWITCH A TO RED/BLUE STRIPE WIRE
CONNECT TERMINAL 6 FROM SWITCH A TO GREEN/BLUE STRIPE WIRE
CONNECT TERMINAL 5 FROM SWITCH B TO RED/WHITE STRIPE WIRE
CONNECT TERMINAL 6 FROM SWITCH B TO GREEN/WHITE STRIPE WIRE



HANDCRAFTED AUTOMOTIVE PARTS
RETROMODERN USA
EST. 2011 • CALIFORNIA

新しい空を愛する
ENJOYING THE ROADSTER LIFESTYLE

Miata Power Window Switch Wiring

Rod Grainger



Miata Power Window Switch Wiring:

Mazda MX-5 Miata 1.6 Enthusiast's Workshop Manual Rod Grainger, 2017 Superbly detailed text with over 1500 photographs covering every detail of important jobs without resorting to special tools [Mazda MX-5 Miata 1.8 Enthusiast's Workshop Manual](#) Rod Grainger, 2017 This is a phenomenally detailed book which covers the car from bumper to bumper Every detail of important repair and maintenance jobs is covered Covers all Mk1 cars with pop up headlights 1.8 litre models 1994-98 the only aftermarket workshop manual available for the MX-5 written in an easy to use friendly step by step procedures supported by hundreds of photos covers all aspects of maintenance and repair and applies equally to Eunos Roadster Japanese market model and Mazda Miata US market model [How to Build a High-Performance Mazda Miata MX-5, 2nd Edition](#) Keith Tanner, 2025-06-03 Build the Miata of your dreams with this all encompassing photo illustrated modification guide Across four generations and for more than three decades Mazda's Miata MX-5 has proven itself one of the most popular and versatile sports cars ever created Its ability to fulfill any goal from street cruising to on track competition has spawned an extensive performance aftermarket making it possible for owners to build their dream Miata In fact the selection of parts is so broad that it can be difficult for many would be builders to select and tune the proper combination to achieve their MX-5 goals Enter author MX-5 expert and Flyin Miata co owner Keith Tanner and [How to Build a High Performance Mazda Miata MX-5](#) This thorough manual revised and updated throughout to cover the fourth generation Miata will guide you through how to best modify your car to suit your goals Key chapters in the book cover Engine management systems intake exhaust and forced induction Clutch and transmission Suspension and handling Braking wheels and tires Body and chassis Engine swaps Beginning with a modification philosophy Tanner then discusses which upgrades will help you reach your goals and how to tune your MX-5 to maximize its potential From cross country touring to autocross to track racing the Miata can do it all and [How to Build a High Performance Mazda Miata MX-5](#) ensures you know how to make it happen [Chilton's Import Auto Service Manual](#), 2000 Contains general information for technicians on the specifications MIL resetting and DTC retrieval accessory drive belts timing belts brakes oxygen sensors electric cooling fans and heater cores of twenty one types of import cars **The 2002 Used Car and Truck Guide** Consumer Guide, Consumer Guide Editors, 2002-03 From picking out the right vehicle to signing on the dotted line this guide helps the used car or truck buyer every step of the way Includes evaluations of cars trucks SUVs and minivans Illustrations [Used Car Buying Guide 1995](#) Consumer Reports, 1995-05 With the average price of a new car now exceeding 18 000 this is the guide used car buyers wait for the one the New York Daily News called the most useful guide on the market This guide will steer consumers to the makes and models most likely to provide reliable and practical transportation and help minimize the chance of making an expensive mistake

Discover tales of courage and bravery in Explore Bravery with is empowering ebook, Stories of Fearlessness: **Miata Power Window Switch Wiring** . In a downloadable PDF format (*), this collection inspires and motivates. Download now to witness the indomitable spirit of those who dared to be brave.

<https://splashdogs.com/data/browse/Documents/Fundations%20Bonus%20Words.pdf>

Table of Contents Miata Power Window Switch Wiring

1. Understanding the eBook Miata Power Window Switch Wiring
 - The Rise of Digital Reading Miata Power Window Switch Wiring
 - Advantages of eBooks Over Traditional Books
2. Identifying Miata Power Window Switch Wiring
 - Exploring Different Genres
 - Considering Fiction vs. Non-Fiction
 - Determining Your Reading Goals
3. Choosing the Right eBook Platform
 - Popular eBook Platforms
 - Features to Look for in an Miata Power Window Switch Wiring
 - User-Friendly Interface
4. Exploring eBook Recommendations from Miata Power Window Switch Wiring
 - Personalized Recommendations
 - Miata Power Window Switch Wiring User Reviews and Ratings
 - Miata Power Window Switch Wiring and Bestseller Lists
5. Accessing Miata Power Window Switch Wiring Free and Paid eBooks
 - Miata Power Window Switch Wiring Public Domain eBooks
 - Miata Power Window Switch Wiring eBook Subscription Services
 - Miata Power Window Switch Wiring Budget-Friendly Options
6. Navigating Miata Power Window Switch Wiring eBook Formats

- ePub, PDF, MOBI, and More
 - Miata Power Window Switch Wiring Compatibility with Devices
 - Miata Power Window Switch Wiring Enhanced eBook Features
7. Enhancing Your Reading Experience
 - Adjustable Fonts and Text Sizes of Miata Power Window Switch Wiring
 - Highlighting and Note-Taking Miata Power Window Switch Wiring
 - Interactive Elements Miata Power Window Switch Wiring
 8. Staying Engaged with Miata Power Window Switch Wiring
 - Joining Online Reading Communities
 - Participating in Virtual Book Clubs
 - Following Authors and Publishers Miata Power Window Switch Wiring
 9. Balancing eBooks and Physical Books Miata Power Window Switch Wiring
 - Benefits of a Digital Library
 - Creating a Diverse Reading Collection Miata Power Window Switch Wiring
 10. Overcoming Reading Challenges
 - Dealing with Digital Eye Strain
 - Minimizing Distractions
 - Managing Screen Time
 11. Cultivating a Reading Routine Miata Power Window Switch Wiring
 - Setting Reading Goals Miata Power Window Switch Wiring
 - Carving Out Dedicated Reading Time
 12. Sourcing Reliable Information of Miata Power Window Switch Wiring
 - Fact-Checking eBook Content of Miata Power Window Switch Wiring
 - Distinguishing Credible Sources
 13. Promoting Lifelong Learning
 - Utilizing eBooks for Skill Development
 - Exploring Educational eBooks
 14. Embracing eBook Trends
 - Integration of Multimedia Elements
 - Interactive and Gamified eBooks

Miata Power Window Switch Wiring Introduction

Free PDF Books and Manuals for Download: Unlocking Knowledge at Your Fingertips In today's fast-paced digital age, obtaining valuable knowledge has become easier than ever. Thanks to the internet, a vast array of books and manuals are now available for free download in PDF format. Whether you are a student, professional, or simply an avid reader, this treasure trove of downloadable resources offers a wealth of information, conveniently accessible anytime, anywhere. The advent of online libraries and platforms dedicated to sharing knowledge has revolutionized the way we consume information. No longer confined to physical libraries or bookstores, readers can now access an extensive collection of digital books and manuals with just a few clicks. These resources, available in PDF, Microsoft Word, and PowerPoint formats, cater to a wide range of interests, including literature, technology, science, history, and much more. One notable platform where you can explore and download free Miata Power Window Switch Wiring PDF books and manuals is the internet's largest free library. Hosted online, this catalog compiles a vast assortment of documents, making it a veritable goldmine of knowledge. With its easy-to-use website interface and customizable PDF generator, this platform offers a user-friendly experience, allowing individuals to effortlessly navigate and access the information they seek. The availability of free PDF books and manuals on this platform demonstrates its commitment to democratizing education and empowering individuals with the tools needed to succeed in their chosen fields. It allows anyone, regardless of their background or financial limitations, to expand their horizons and gain insights from experts in various disciplines. One of the most significant advantages of downloading PDF books and manuals lies in their portability. Unlike physical copies, digital books can be stored and carried on a single device, such as a tablet or smartphone, saving valuable space and weight. This convenience makes it possible for readers to have their entire library at their fingertips, whether they are commuting, traveling, or simply enjoying a lazy afternoon at home. Additionally, digital files are easily searchable, enabling readers to locate specific information within seconds. With a few keystrokes, users can search for keywords, topics, or phrases, making research and finding relevant information a breeze. This efficiency saves time and effort, streamlining the learning process and allowing individuals to focus on extracting the information they need. Furthermore, the availability of free PDF books and manuals fosters a culture of continuous learning. By removing financial barriers, more people can access educational resources and pursue lifelong learning, contributing to personal growth and professional development. This democratization of knowledge promotes intellectual curiosity and empowers individuals to become lifelong learners, promoting progress and innovation in various fields. It is worth noting that while accessing free Miata Power Window Switch Wiring PDF books and manuals is convenient and cost-effective, it is vital to respect copyright laws and intellectual property rights. Platforms offering free downloads often operate within legal boundaries, ensuring that the materials they provide are either in the public domain or authorized for distribution. By adhering to copyright laws, users can enjoy the benefits of free access to knowledge while supporting the authors and

publishers who make these resources available. In conclusion, the availability of Miata Power Window Switch Wiring free PDF books and manuals for download has revolutionized the way we access and consume knowledge. With just a few clicks, individuals can explore a vast collection of resources across different disciplines, all free of charge. This accessibility empowers individuals to become lifelong learners, contributing to personal growth, professional development, and the advancement of society as a whole. So why not unlock a world of knowledge today? Start exploring the vast sea of free PDF books and manuals waiting to be discovered right at your fingertips.

FAQs About Miata Power Window Switch Wiring Books

What is a Miata Power Window Switch Wiring PDF? A PDF (Portable Document Format) is a file format developed by Adobe that preserves the layout and formatting of a document, regardless of the software, hardware, or operating system used to view or print it. **How do I create a Miata Power Window Switch Wiring PDF?** There are several ways to create a PDF: Use software like Adobe Acrobat, Microsoft Word, or Google Docs, which often have built-in PDF creation tools. Print to PDF: Many applications and operating systems have a "Print to PDF" option that allows you to save a document as a PDF file instead of printing it on paper. Online converters: There are various online tools that can convert different file types to PDF. **How do I edit a Miata Power Window Switch Wiring PDF?** Editing a PDF can be done with software like Adobe Acrobat, which allows direct editing of text, images, and other elements within the PDF. Some free tools, like PDFescape or Smallpdf, also offer basic editing capabilities. **How do I convert a Miata Power Window Switch Wiring PDF to another file format?** There are multiple ways to convert a PDF to another format: Use online converters like Smallpdf, Zamzar, or Adobe Acrobat's export feature to convert PDFs to formats like Word, Excel, JPEG, etc. Software like Adobe Acrobat, Microsoft Word, or other PDF editors may have options to export or save PDFs in different formats. **How do I password-protect a Miata Power Window Switch Wiring PDF?** Most PDF editing software allows you to add password protection. In Adobe Acrobat, for instance, you can go to "File" -> "Properties" -> "Security" to set a password to restrict access or editing capabilities. Are there any free alternatives to Adobe Acrobat for working with PDFs? Yes, there are many free alternatives for working with PDFs, such as: LibreOffice: Offers PDF editing features. PDFsam: Allows splitting, merging, and editing PDFs. Foxit Reader: Provides basic PDF viewing and editing capabilities. How do I compress a PDF file? You can use online tools like Smallpdf, ILovePDF, or desktop software like Adobe Acrobat to compress PDF files without significant quality loss. Compression reduces the file size, making it easier to share and download. Can I fill out forms in a PDF file? Yes, most PDF viewers/editors like Adobe Acrobat, Preview (on Mac), or various online tools allow you to fill out forms in PDF files by selecting text fields and entering information. Are there any restrictions when working with PDFs? Some PDFs might have

restrictions set by their creator, such as password protection, editing restrictions, or print restrictions. Breaking these restrictions might require specific software or tools, which may or may not be legal depending on the circumstances and local laws.

Find Miata Power Window Switch Wiring :

[foundations bonus words](#)

[funny bones topic planning](#)

[funza-lushaka-nsfas-similarities](#)

[fuse box diagram buick](#)

[fundamentals of nursing study guide answers](#)

[functional english guide golden class 12](#)

fundamentals of thermal fluid sciences 4th edition solution manual

fuse a c mitsubishi canter wiring

[fuse box 2005 hyundai elantra](#)

fundamentals of phonetics answer key chapter8

fundamentals of fluid mechanics 4th edition solutions manual

fundamentals of corporate finance solution manual

fundamentals of biochemistry 4th edition solution manual

[fundamentals of digital communication solution manual](#)

[fundamental concept edition nursing test answer](#)

Miata Power Window Switch Wiring :

amazon com customer reviews the parents we mean to be - Jan 11 2023

amazon in buy the parents we mean to be how well intentioned adults undermine children s moral and emotional development book online at best prices in india on amazon in

the parents we mean to be how well intentioned adults - Apr 14 2023

the parents we mean to be how well intentioned adults undermine children s moral and emotional development read more 4 people found this helpful read more 9 people found this

the parents we mean to be how well intentioned adults - Dec 30 2021

the parents we mean to be how well intentioned adults - Nov 09 2022

the parents we mean to be how well intentioned adults undermine children s moral and emotional development by richard weissbourd 2010 09 03 richard weissbourd on

the parents we mean to be how well intentioned adults - Mar 01 2022

the parents we mean to be how well intentioned adults - Aug 06 2022

the parents we mean to be how well intentioned adults undermine children s rick weissbourd google books a wake up call for a national crisis in parenting and a deeply

the parents we mean to be how well intentioned ad pdf - May 03 2022

mar 13 2009 parents intense focus on their children s happiness is turning many children into self involved fragile

conformists the suddenly widespread desire of parents to be closer to

the parents we mean to be how well intentioned adults - Jan 31 2022

the parents we mean to be how well intentioned adults - Feb 12 2023

kindly say the the parents we mean to be how well intentioned ad is universally compatible with any devices to read the golden cord kristin a vargas 2022 08 10 the golden cord

the parents we mean to be how well intentioned adults - Jul 05 2022

the parents we mean to be how well intentioned adults undermine children s moral and emotional development ebook weissbourd richard amazon com au kindle store

[the parents we mean to be how well intentioned ad ml](#) - Oct 08 2022

parents intense focus on their children s happiness is turning many children into self involved fragile conformists the suddenly widespread desire of parents to be closer to their children a

the parents we mean to be how well intentioned adults - Mar 13 2023

xii 241 pages 22 cm through the author s own original field research a surprising picture of the moral development of children emerges to confirm that parents intense focus on their

the parents we mean to be harvard graduate school of - Jul 17 2023

the parents we mean to be how well intentioned adults undermine children s rick weissbourd google books harvard psychologist richard weissbourd argues incisively that

buy the parents we mean to be how well intentioned adults - Sep 07 2022

mean tofor families the parents we mean to be book richard weissbourd s book the parents we mean to be how well

intentioned adults undermine children s moral and

the parents we mean to be how well intentioned - Aug 18 2023

oct 10 2018 richard weissbourd s book the parents we mean to be how well intentioned adults undermine children s moral and emotional development is a wake up call for a

the parents we mean to be how well intentioned - May 15 2023

buy the parents we mean to be how well intentioned adults undermine children s moral and emotional development by weissbourd richard isbn 0046442626170 from amazon s

the parents we mean to be how well intentioned - Dec 10 2022

oct 5 2023 the parents we mean to be how well intentioned adults undermine children s moral and emotional development harvard psychologist richard weissbourd argues incisively

the parents we mean to be how well intentioned adults - Sep 19 2023

mar 11 2009 in the parents we mean to be how well intentioned adults undermine children s moral and emotional development weissbourd examines how despite parents

the parents we mean to be book making caring common - Jun 16 2023

the parents we mean to be how well intentioned adults undermine children s moral and emotional development responsibility richard weissbourd imprint boston houghton mifflin

the parents we mean to be how well intentioned adults - Jun 04 2022

the parents we mean to be how well intentioned adults undermine children s moral and emotional development weissbourd richard 9780547248035 books amazon ca

the parents we mean to be how well intentioned adults - Apr 02 2022

intermediate microeconomics 8th edition a utamu library pdf - Apr 07 2022

web apr 2 2023 intermediate microeconomics 8th edition a utamu library 1 4 downloaded from uniport edu ng on april 2 2023 by guest intermediate microeconomics 8th edition a utamu library thank you extremely much for downloading intermediate microeconomics 8th edition a utamu

intermediate microeconomics 8th edition a utamu library copy - Jun 09 2022

web intermediate microeconomics 8th edition a utamu library downloaded from ncf ec2 west 02 xconvert com by guest yaretzi braiden intermediate microeconomics a modern approach 7th edition intermediate microeconomics 8th edition aintermediate microeconomics 8th eighth edition hal r varian on amazon com free

intermediate microeconomics 8th edition a utamu library pdf - Feb 17 2023

web may 28 2023 intermediate microeconomics 8th edition a utamu library 2 4 downloaded from uniport edu ng on may 28 2023 by guest a textbook of electronic circuits r s sedha 2014 10 the foremost and primary aim of the book is to meant the requirements of students of anna university bharathidasan university mumbai

intermediate microeconomics 8th edition a utamu library pdf - Jan 04 2022

web may 6 2023 intermediate microeconomics 8th edition a utamu library 2 4 downloaded from uniport edu ng on may 6 2023 by guest a textbook of electronic circuits r s sedha 2014 10 the foremost and primary aim of the book is to meant the requirements of students of anna university bharathidasan university mumbai university as

intermediate microeconomics 8th edition a utamu library pdf - Dec 03 2021

web intermediate microeconomics 8th edition a utamu library intermediate microeconomics 8th edition a utamu library 2 downloaded from accounts ceu social on 2019 06 30 by guest helps students to combine their knowledge of english with their technical knowledge develops all four skills through varied activities with

online library intermediate microeconomics 8th edition a utamu library - Feb 05 2022

web jun 10 2023 intermediate microeconomics 8th edition a utamu library is available in our digital library an online access to it is set as public so you can download it instantly our books collection hosts in multiple countries allowing you to get the most less

intermediate microeconomics 8th edition a utamu library - May 08 2022

web to see guide intermediate microeconomics 8th edition a utamu library as you such as by searching the title publisher or authors of guide you in point of fact want you can discover them rapidly

intermediate microeconomics 8th edition a utamu library 2022 - Apr 19 2023

web jan 7 2023 intermediate microeconomics 8th edition a utamu library 1 1 downloaded from 25years mitchellinstitute org on january 7 2023 by guest intermediate microeconomics 8th edition a utamu library eventually you will agreed discover a further experience and attainment by spending more cash nevertheless when complete

intermediate microeconomics 8th edition a utamu library - Sep 12 2022

web intermediate microeconomics 8th edition intermediate microeconomics pdf free download ebook handbook textbook user guide pdf files on the internet quickly and easily student edition pdf intermediate microeconomics with calculus 9th editio hal r varian intermediate microeconomics 8th edition a modern

intermediate microeconomics 8th edition solutions and answers quizlet - Nov 02 2021

web find step by step solutions and answers to intermediate microeconomics 9780393935332 as well as thousands of textbooks so you can move forward with confidence now with expert verified solutions from intermediate microeconomics 8th edition you ll learn how to solve your toughest homework problems our resource for

[intermediate microeconomics 8th edition a utamu library](#) - Nov 14 2022

web microeconomics 8th edition a utamu library is additionally useful you have remained in right site to start getting this info get the intermediate microeconomics

intermediate microeconomics 8th edition a utamu library copy - Jul 22 2023

web sep 1 2023 hand they juggled like some harmful virus inside their computer intermediate microeconomics 8th edition a utamu library is friendly in our digital library an online access to it is set as public suitably you can download it instantly our digital library saves in multiple countries allowing you to get the most less latency time to download

intermediate microeconomics a modern approach 8th edition quizlet - Jun 21 2023

web find step by step solutions and answers to intermediate microeconomics a modern approach 9780393934243 as well as thousands of textbooks so you can move forward with confidence 8th edition hal r varian isbn 9780393934243 alternate isbns hal r varian more textbook info hal r varian isbn 9780393934243 alternate isbns

[intermediate microeconomics 8th edition a utamu library](#) - Jul 10 2022

web intermediate microeconomics with calculus a modern approach schaum s outline of microeconomics 4th edition microeconomics global edition intermediate microeconomics 8th edition a utamu library downloaded from zoeykher com by guest nicholson nunez principles of macroeconomics for ap courses 2e routledge the

[intermediate microeconomics 8th edition a utamu library](#) - May 20 2023

web intermediate microeconomics 8th edition intermediate microeconomics pdf free download ebook handbook textbook user guide pdf files on the internet quickly and easily

intermediate microeconomics 8th edition a utamu library pdf - Oct 13 2022

web jan 19 2023 intermediate microeconomics 8th edition a utamu library 1 2 downloaded from eastman iwpi com on january 19 2023 by guest intermediate microeconomics 8th edition a utamu library when people should go to the ebook stores search inauguration by shop shelf by shelf it is in point of fact problematic this

intermediate microeconomics a modern approach eighth edition - Mar 18 2023

web intermediate microeconomics a modern approach eighth edition

[intermediate microeconomics 8th edition a utamu library](#) - Jan 16 2023

web microeconomics mar 13 2023 a book that provides a treatment of microeconomic theory that stresses the relevance and application to managerial and public policy decision making microeconomics oct 08 2022 for all intermediate microeconomics courses at the undergraduate or graduate level

[intermediate microeconomics 8th edition a utamu library pdf](#) - Sep 24 2023

web apr 6 2023 intermediate microeconomics 8th edition a utamu library that you are looking for it will very squander the

time however below gone you visit this web page it will be in view of that very easy to get as without difficulty as download lead intermediate microeconomics 8th edition a utamu library

intermediate microeconomics 8th edition a utamu library - Dec 15 2022

web feb 24 2023 try to download and install the intermediate microeconomics 8th edition a utamu library it is no question easy then back currently we extend the belong to to buy and create bargains to download and install

intermediate microeconomics 8th edition a utamu library pdf - Mar 06 2022

web may 21 2023 intermediate microeconomics 8th edition a utamu library is available in our digital library an online access to it is set as public so you can get it instantly

intermediate microeconomics 8th edition a modern approach - Aug 23 2023

web intermediate microeconomics 8th edition a modern approach salvo saitta the success of the first seven editions of intermediate microeconomics has pleased me very much it has confirmed my belief that the market would welcome an analytic approach to microeconomics at the undergraduate level

intermediate microeconomics 8th edition a utamu library - Aug 11 2022

web reading this intermediate microeconomics 8th edition a will come up with the money for you more than people admire it will lead to know more than the people staring at you

circular motion w3 answers 2name date pd central net force model - Jun 19 2023

web central net force model worksheet 3 circular motion examples a woman flying aerobatics executes a maneuver as illustrated below construct a quantitative force diagram of all relevant forces acting on the woman flying the airplane when upside down at the top of the loop six children run on a track with equal speeds

central net force model additional practice problems - Mar 16 2023

web central net force model 4 orbital buysms de quantum numbers ap chemistry google sites fraction multiplication word problems luftop de u8 ws 2 name date pd central net force model worksheet 2 ap problem sets physh s physics oregonsd date pd central net force model additional practice problems central net force model 4 orbital

central net force model 4 pdf cyberlab sutd edu sg - Jul 20 2023

web strategic graph rewriting interactive modeling frameworks rule based frameworks elastic composites piezoelectrics electromagnetic force models limiting distribution degenerate ito sdes induced operators subgaussian

automatic craniomaxillofacial landmarks detection in ct images - Jun 07 2022

web nov 17 2023 craniomaxillofacial cmf ct data of 80 patients with dentomaxillofacial deformities were collected for model development 77 anatomical landmarks digitized by experienced cmf surgeons in each ct image were set as the ground truth 3d ux net the cutting edge medical image segmentation network was adopted as the backbone of

physics central net force model test flashcards quizlet - Jan 14 2023

web study with quizlet and memorize flashcards containing terms like gravitational force of attraction f exists between two masses a and b when they are separated by a fixed distance

central net force model worksheet 4 orbital motion - Apr 05 2022

web oct 17 2023 central net force model worksheet 4 orbital motion printable word check details u8 ws 3 solution name date pd central net force model worksheet 3 check details 03 u7 ws1 key name date pd central net force model worksheet 1 check details science 12th grade 3 pdf gravitational constant $g = 6.67 \times 10^{-11} \text{ nm}^2/\text{kg}$

pdf central net force model 4 cyberlab sutd.edu.sg - Aug 21 2023

web central net force model 4 cirp annals feb 18 2021 unmanned driving systems for smart trains feb 01 2022 unmanned driving systems for smart trains explores the core technologies involved in unmanned driving systems for smart railways and trains from foundational theory to the latest advances the

radial net force wkst 4 studyres - Oct 23 2023

web 1 2 3 document related concepts no text concepts found transcript gravitational constant $g = 6.67 \times 10^{-11} \text{ nm}^2/\text{kg}$ 2 2 name date pd central net force model worksheet 4 orbital motion 1 suppose you are at mission control on the moon in charge of launching a moon orbiting communications satellite a

central net force model additional practice problems - Sep 10 2022

web force model additional practice problems pdf central net force model 4 orbital ankrumax de circular motion and gravitation review answers 3 central net force model worksheet 4 orbital motion central net force model additional practice problems net force particle worksheets 1 amp 2 youtube

central net force model 4 orientation sutd.edu.sg - Nov 12 2022

web central net force model 4 porter s five forces strategy skills training from may 2nd 2018 porter s five forces assess the threats to the profitability of your what is the impact of porter s company having folded in 2012 on the effectiveness of his model

central net force worksheet answers studocu - Sep 22 2023

web through the 4 meter radius curve to produce a 200 n downward normal force on the child draw a quantitative force diagram for the child modeling instruction amta 2013 1 u7 central force model review v3 f n 5000n f g 1000n f n 500n f g 600n f n 4000n f g 700n a b c d e f 2 2 2 2 40 10 400 400 200 600 600

date pd central net force model worksheet 4 orbital motion - Apr 17 2023

web modeling instruction amta 2013 1 u7 central force model ws4 v3 1 name date pd central net force model worksheet 4 orbital motion 1 suppose you are at mission control on the moon in charge of launching a moon orbiting communications

satellite a first how much would a 1500 kg satellite weigh at the surface of the moon

central net force model 4 orientation sutd edu sg - Dec 13 2022

web april 19th 2018 central net force model net $m v^2 r$ a net force causing circular motion is also called the central net force for an object in orbital motion is provided central net force model worksheet 4 orbital motion

central net force model worksheet 4 orbital motion muncysd org - May 18 2023

web central net force model worksheet 4 orbital motion pd 1 suppose you are at mission control on the moon in charge of launching a moon orbiting communications satellite moon mass 7.36×10^{22} kg moon radius 1.74×10^6 m a

what is central force equations examples fields and faqs - Oct 11 2022

web the central force in classical mechanics is defined as the force that is acting on an object which is directed along the line joining the object and the origin the magnitude of the central force depends only on the distance between the object and the centre

download free central net force model 4 cyberlab sutd edu sg - Feb 15 2023

web central net force model 4 handbook of peridynamic modeling mar 25 2022 this handbook covers the peridynamic modeling of failure and damage peridynamics is a reformulation of continuum mechanics based on integration of interactions rather than spatial differentiation of displacements the book extends the classical theory of continuum

fact sheet saf c4 command integrates c4 and cyber defence - May 06 2022

web jun 30 2017 the singapore armed forces saf c4 command is set up to coordinate and implement c4 command control communications and computers and cyber defence operations and capabilities it will operate and defend saf networks that support a full spectrum of saf operations in both peace and war

central net force particle model studyres - Jul 08 2022

web name date pd central net force particle model review sheet d a f c e b 1 amta 2013 1 u7 central force model review v3 1 fg 400n 5 exiting the loop at valley e the 2000 kg rollercoaster exerts a downward normal force on the track of 90 000 n

central net force model worksheet 4 orbital motion - Mar 04 2022

web jul 30 2023 07 u8 ws 403 u7 ws1key central net force model worksheet 4 orbital motioncentral motion forces 12 s080501m net forcesanswer key force worksheet conduction model particle newton law charging methods objects chapter forces component solved 2 design an experiment to find the relationshipsolved lab 2

net force definition and calculations study com - Aug 09 2022

web forces don't always cancel out though for example if there are two forces acting toward the right and they are both 5 n then we have 5 + 5 = 10