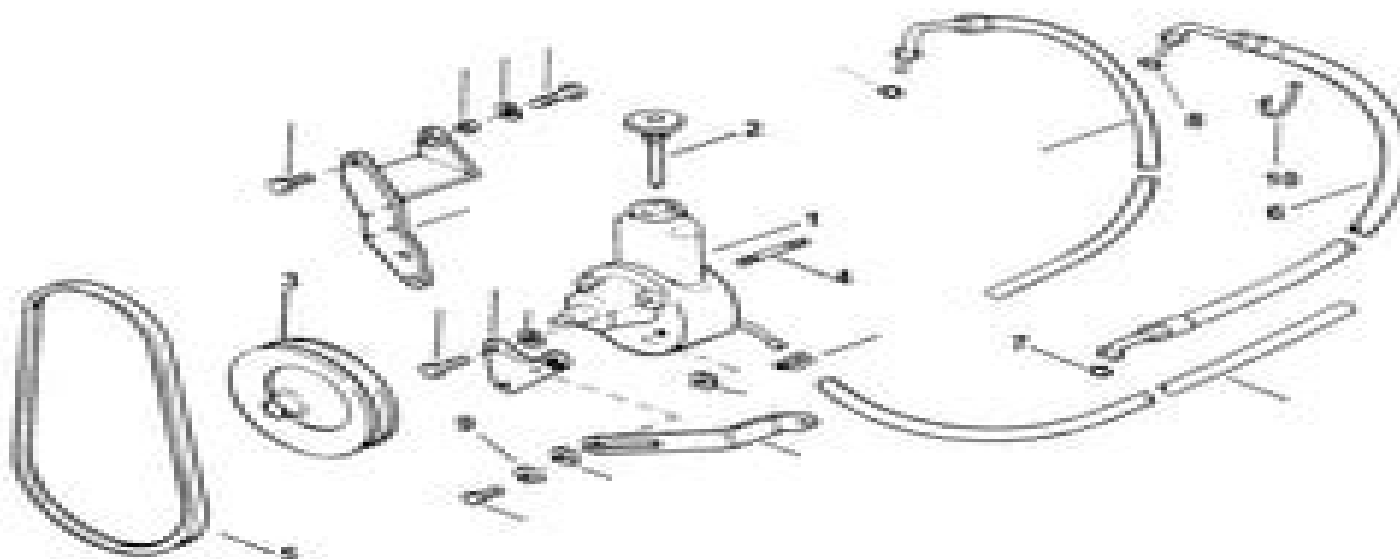


How to Read a Parts Manual

Power Steering Pump Assembly



REF. NO.	PART NO.	SYM.	QTY.	DESCRIPTION
1	90007A12		1	PUMP ASSEMBLY-Power Steering
2	36-90805		1	CAP
3	73873A1		1	PULLEY
4	16-41577		1	STUD
5	57-606077		1	V-BELT
6	50-900684		1	HOSE-Pressure (FITTINGS ON BOTH ENDS)
7	25-90679		1	O-RING
8	29-906232		1	O-RING
9	13-35048		1	LOCKWASHER (3/8 IN.)
10	61990		1	CABLE TIE

REF. NO. : Number shown next to part on exploded view

PART NO. : Mercury Part Number for ordering. If NSS (not sold separately) sometimes GM part number will be given in description column.

QTY. : The quantity that must be ordered.

DESCRIPTION : Description of part, what parts are included with a part (all indented items come with the main item above the indented parts), serial number information, and special information.

MerCruiser Bravo 2 Steering Manual

Roman Wölfel



MerCruiser Bravo 2 Steering Manual:

Manuals Combined: U.S. Coast Guard Cutterboat, Defender Class, Utility And Special Purpose Craft Boat Handbooks ,
Over 4 000 total pages Manuals included CUTTERBOAT LARGE CB L OPERATOR S HANDBOOK SPECIAL PURPOSE
CRAFTSHALLOW WATER SPC SW OPERATOR S HANDBOOK 45FT RESPONSE BOAT MEDIUM RB M OPERATOR S
HANDBOOK SPECIAL PURPOSE CRAFT LAW ENFORCEMENT BOAT OPERATOR S HANDBOOK CUTTERBOAT OVER THE
HORIZON CB OTH MK III OPERATOR S HANDBOOK DEFENDER CLASS OPERATOR S HANDBOOK U S Coast Guard Boat
Operations and Training BOAT Manual Volume I and II Boat Forces Operations Personnel Qualification Standard NON
STANDARD BOAT OPERATOR S HANDBOOK 49 BUOY UTILITY STERN LOADING BUSL BOAT OPERATOR S HANDBOOK
MULTISERVICE HELICOPTER SLING LOAD DUAL POINT LOAD RIGGING PROCEDURES Multiservice Helicopter Sling
Load Basic Operations And Equipment *Boating* ,1997-01 *Boating* ,2000-09 *Boating* ,1996-01 **Boating**
,2005-03 **Bibliography of Nautical Books** ,1990 *Lakeland Boating* ,1996 **Boating** ,2003-01 *Boating*
,2001-01 **Boating** ,2008-01 *Boating* ,1998-07 **Boating** ,1999-12 **MerCruiser Stern Drive Shop Manual**
1998-2013 Editors of Clymer Manuals,2015-08-15 Stern Drives MerCruiser Alpha One 1998 2013 MerCruiser Bravo One
1998 2013 MerCruiser Bravo Two 1998 2013 MerCruiser Bravo Three 1998 2013 Engines 1998 2013 3 0 L 1998 2013 4 3 L
1998 2013 5 0 L 1998 2013 5 7 L 1998 2013 350 Mag 1998 2013 MX 6 2 L 1998 2013 454 Mag 1998 2013 502 Mag 1998
2013 496 Mag 1998 2013 496 Mag HO 1998 2013 7 4 L MPI 1998 2013 TROUBLESHOOTING LUBRICATION
MAINTENANCE AND TUNE UP ENGINE TOP END ENGINE LOWER END CLUTCH AND EXTERNAL SHIFT MECHANISM
TRANSMISSION AND INTERNAL SHIFT MECHANISM FUEL EMISSION CONTROL AND EXHAUST SYSTEMS ELECTRICAL
SYSTEM COOLING SYSTEM WHEELS TIRES AND DRIVE CHAIN FRONT SUSPENSION AND STEERING REAR
SUSPENSION BRAKES BODY AND FRAME COLOR WIRING DIAGRAMS *Ship & Boat International* ,1991 *MerCruiser*
Stern Drive Shop Manual Penton Staff,2000-05-24 3 0 L 4 3 L 5 0 L 5 7 L 7 4 L 8 2 L 350 Magnum 454 Magnum 502 Magnum
MerCruiser Stern Drive Shop Manual 1998-2004 Penton Staff,2000-05-24 MerCruiser Alpha One 1998 2004
MerCruiser Bravo One 1998 2004 MerCruiser Bravo Two 1998 2004 MerCruiser Bravo Three 1998 2004 Engines 1998 2004
3 0 L 1998 2004 4 3 L 1998 2004 5 0 L 1998 2004 5 7 L 1998 2004 350 Mag 1998 2004 *MerCruiser Stern Drive Shop*
Manual 1995-1997 AlphaOne, Bravo One, Bravo Two & Bravo Three ,1997 *MerCruiser Stern Drive, Bravo 1, Bravo 2 and*
Bravo 3, 1992-96 Clarence W. Coles,Joan Coles,1998-03 SELOC Marine maintenance and repair manuals offer the most
comprehensive authoritative information available for outboard inboard stern drive and diesel engines as well as personal
watercraft SELOC has been the leading source of how to information for the marine industry since 1974 Designed and
written to serve the needs of the professional mechanic do it yourself boat enthusiast instructor and student these manuals
are based on actual teardowns done by Chilton MarineAEs editors authors in our on site facility Providing complete coverage

on everything from basic maintenance to engine overhaul every manual features Simple to follow step by step illustrated procedures Hundreds of exploded drawings photographs and tables Troubleshooting sections accurate specifications and wiring diagrams Recognized and used by technical trade schools as well as the U S militaryCovers Bravo I II and III units powered by V6 and V8 engines Includes carbureted and fuel injected engines **MerCruiser Service Manual Number 11**
,1994 *MerCruiser Service Manual, Number 11* ,1998

This is likewise one of the factors by obtaining the soft documents of this **Mercuriser Bravo 2 Steering Manual** by online. You might not require more times to spend to go to the ebook introduction as without difficulty as search for them. In some cases, you likewise realize not discover the pronouncement Mercuriser Bravo 2 Steering Manual that you are looking for. It will extremely squander the time.

However below, taking into account you visit this web page, it will be fittingly unconditionally easy to get as skillfully as download lead Mercuriser Bravo 2 Steering Manual

It will not undertake many grow old as we run by before. You can do it even though comport yourself something else at house and even in your workplace. so easy! So, are you question? Just exercise just what we pay for under as well as review **Mercuriser Bravo 2 Steering Manual** what you in the manner of to read!

https://splashdogs.com/data/browse/Documents/mpn_royal_dm5070_manual.pdf

Table of Contents Mercuriser Bravo 2 Steering Manual

1. Understanding the eBook Mercuriser Bravo 2 Steering Manual
 - The Rise of Digital Reading Mercuriser Bravo 2 Steering Manual
 - Advantages of eBooks Over Traditional Books
2. Identifying Mercuriser Bravo 2 Steering Manual
 - Exploring Different Genres
 - Considering Fiction vs. Non-Fiction
 - Determining Your Reading Goals
3. Choosing the Right eBook Platform
 - Popular eBook Platforms
 - Features to Look for in an Mercuriser Bravo 2 Steering Manual
 - User-Friendly Interface
4. Exploring eBook Recommendations from Mercuriser Bravo 2 Steering Manual

- Personalized Recommendations
- MerCruiser Bravo 2 Steering Manual User Reviews and Ratings
- MerCruiser Bravo 2 Steering Manual and Bestseller Lists
- 5. Accessing MerCruiser Bravo 2 Steering Manual Free and Paid eBooks
 - MerCruiser Bravo 2 Steering Manual Public Domain eBooks
 - MerCruiser Bravo 2 Steering Manual eBook Subscription Services
 - MerCruiser Bravo 2 Steering Manual Budget-Friendly Options
- 6. Navigating MerCruiser Bravo 2 Steering Manual eBook Formats
 - ePub, PDF, MOBI, and More
 - MerCruiser Bravo 2 Steering Manual Compatibility with Devices
 - MerCruiser Bravo 2 Steering Manual Enhanced eBook Features
- 7. Enhancing Your Reading Experience
 - Adjustable Fonts and Text Sizes of MerCruiser Bravo 2 Steering Manual
 - Highlighting and Note-Taking MerCruiser Bravo 2 Steering Manual
 - Interactive Elements MerCruiser Bravo 2 Steering Manual
- 8. Staying Engaged with MerCruiser Bravo 2 Steering Manual
 - Joining Online Reading Communities
 - Participating in Virtual Book Clubs
 - Following Authors and Publishers MerCruiser Bravo 2 Steering Manual
- 9. Balancing eBooks and Physical Books MerCruiser Bravo 2 Steering Manual
 - Benefits of a Digital Library
 - Creating a Diverse Reading Collection MerCruiser Bravo 2 Steering Manual
- 10. Overcoming Reading Challenges
 - Dealing with Digital Eye Strain
 - Minimizing Distractions
 - Managing Screen Time
- 11. Cultivating a Reading Routine MerCruiser Bravo 2 Steering Manual
 - Setting Reading Goals MerCruiser Bravo 2 Steering Manual
 - Carving Out Dedicated Reading Time
- 12. Sourcing Reliable Information of MerCruiser Bravo 2 Steering Manual

- Fact-Checking eBook Content of Mer cruiser Bravo 2 Steering Manual
 - Distinguishing Credible Sources
13. Promoting Lifelong Learning
- Utilizing eBooks for Skill Development
 - Exploring Educational eBooks
14. Embracing eBook Trends
- Integration of Multimedia Elements
 - Interactive and Gamified eBooks

Mer cruiser Bravo 2 Steering Manual Introduction

In this digital age, the convenience of accessing information at our fingertips has become a necessity. Whether its research papers, eBooks, or user manuals, PDF files have become the preferred format for sharing and reading documents. However, the cost associated with purchasing PDF files can sometimes be a barrier for many individuals and organizations. Thankfully, there are numerous websites and platforms that allow users to download free PDF files legally. In this article, we will explore some of the best platforms to download free PDFs. One of the most popular platforms to download free PDF files is Project Gutenberg. This online library offers over 60,000 free eBooks that are in the public domain. From classic literature to historical documents, Project Gutenberg provides a wide range of PDF files that can be downloaded and enjoyed on various devices. The website is user-friendly and allows users to search for specific titles or browse through different categories. Another reliable platform for downloading Mer cruiser Bravo 2 Steering Manual free PDF files is Open Library. With its vast collection of over 1 million eBooks, Open Library has something for every reader. The website offers a seamless experience by providing options to borrow or download PDF files. Users simply need to create a free account to access this treasure trove of knowledge. Open Library also allows users to contribute by uploading and sharing their own PDF files, making it a collaborative platform for book enthusiasts. For those interested in academic resources, there are websites dedicated to providing free PDFs of research papers and scientific articles. One such website is Academia.edu, which allows researchers and scholars to share their work with a global audience. Users can download PDF files of research papers, theses, and dissertations covering a wide range of subjects. Academia.edu also provides a platform for discussions and networking within the academic community. When it comes to downloading Mer cruiser Bravo 2 Steering Manual free PDF files of magazines, brochures, and catalogs, Issuu is a popular choice. This digital publishing platform hosts a vast collection of publications from around the world. Users can search for specific titles or explore various categories and genres. Issuu offers a seamless reading experience with its user-friendly interface and allows users to download PDF files for offline reading. Apart from

dedicated platforms, search engines also play a crucial role in finding free PDF files. Google, for instance, has an advanced search feature that allows users to filter results by file type. By specifying the file type as "PDF," users can find websites that offer free PDF downloads on a specific topic. While downloading Mer cruiser Bravo 2 Steering Manual free PDF files is convenient, its important to note that copyright laws must be respected. Always ensure that the PDF files you download are legally available for free. Many authors and publishers voluntarily provide free PDF versions of their work, but its essential to be cautious and verify the authenticity of the source before downloading Mer cruiser Bravo 2 Steering Manual. In conclusion, the internet offers numerous platforms and websites that allow users to download free PDF files legally. Whether its classic literature, research papers, or magazines, there is something for everyone. The platforms mentioned in this article, such as Project Gutenberg, Open Library, Academia.edu, and Issuu, provide access to a vast collection of PDF files. However, users should always be cautious and verify the legality of the source before downloading Mer cruiser Bravo 2 Steering Manual any PDF files. With these platforms, the world of PDF downloads is just a click away.

FAQs About Mer cruiser Bravo 2 Steering Manual Books

What is a Mer cruiser Bravo 2 Steering Manual PDF? A PDF (Portable Document Format) is a file format developed by Adobe that preserves the layout and formatting of a document, regardless of the software, hardware, or operating system used to view or print it. **How do I create a Mer cruiser Bravo 2 Steering Manual PDF?** There are several ways to create a PDF: Use software like Adobe Acrobat, Microsoft Word, or Google Docs, which often have built-in PDF creation tools. Print to PDF: Many applications and operating systems have a "Print to PDF" option that allows you to save a document as a PDF file instead of printing it on paper. Online converters: There are various online tools that can convert different file types to PDF. **How do I edit a Mer cruiser Bravo 2 Steering Manual PDF?** Editing a PDF can be done with software like Adobe Acrobat, which allows direct editing of text, images, and other elements within the PDF. Some free tools, like PDFescape or Smallpdf, also offer basic editing capabilities. **How do I convert a Mer cruiser Bravo 2 Steering Manual PDF to another file format?** There are multiple ways to convert a PDF to another format: Use online converters like Smallpdf, Zamzar, or Adobe Acrobats export feature to convert PDFs to formats like Word, Excel, JPEG, etc. Software like Adobe Acrobat, Microsoft Word, or other PDF editors may have options to export or save PDFs in different formats. **How do I password-protect a Mer cruiser Bravo 2 Steering Manual PDF?** Most PDF editing software allows you to add password protection. In Adobe Acrobat, for instance, you can go to "File" -> "Properties" -> "Security" to set a password to restrict access or editing capabilities. Are there any free alternatives to Adobe Acrobat for working with PDFs? Yes, there are many free alternatives for working with PDFs, such as: LibreOffice: Offers PDF editing features. PDFsam: Allows splitting, merging, and

editing PDFs. Foxit Reader: Provides basic PDF viewing and editing capabilities. How do I compress a PDF file? You can use online tools like Smallpdf, ILovePDF, or desktop software like Adobe Acrobat to compress PDF files without significant quality loss. Compression reduces the file size, making it easier to share and download. Can I fill out forms in a PDF file? Yes, most PDF viewers/editors like Adobe Acrobat, Preview (on Mac), or various online tools allow you to fill out forms in PDF files by selecting text fields and entering information. Are there any restrictions when working with PDFs? Some PDFs might have restrictions set by their creator, such as password protection, editing restrictions, or print restrictions. Breaking these restrictions might require specific software or tools, which may or may not be legal depending on the circumstances and local laws.

Find MerCruiser Bravo 2 Steering Manual :

mpn royal dm5070 manual

mr right is dead stories

mpumalanga nursing intakes for 2016

mpumalanga grade r practitioners

mpnp canada 2015

mr brown can moocan you

ms access multiple choice questions and answers

mpumalanga geography paper memorandum 2013

motorola v60i guide utilisation

moyer diebel 401ht manual

~~mounted by a monster gryphons release english edition~~

mpt syllabus kuhs

mountfield spl410 user guide

mpsc que paper nature

mpc 500 user manual

MerCruiser Bravo 2 Steering Manual :

old yeller 221 plays quizizz - Aug 14 2023

web old yeller quiz for 8th grade students find other quizzes for english and more on quizizz for free

[old yeller novel study unit nothing but class](#) - May 31 2022

web remote learning style

old yeller journeys unit introduction to the test youtube - Mar 29 2022

web old yeller comprehension questions tammy teaches business courses at the post secondary and secondary level and has a master s of business administration in finance

[old yeller worksheets learny kids](#) - Dec 26 2021

web a bundle of old yeller mc quiz for chapters 1 8 a final quiz for old yeller featuring 34 multiple choice questions a short answer prompt and an essay question and

old yeller reading comprehension test teaching resources tpt - Feb 08 2023

web old yeller by fred gipson old yeller whole book test is a set of 50 multiple choice questions covers the whole book and checks for basic comprehension this test does

results for old yeller test tpt - Mar 09 2023

web use this online self grading spelling test using google forms to test your students spelling skills on the following words from the book old yeller 1 earth2 peer3 twirl4

old yeller lesson plans for teachers bookrags com - Aug 02 2022

web this novel study for old yeller by fred gipson contains 99 pages of resources including comprehension questions and vocabulary by chapter reading response activities

[unit test for old yeller pdf 2023](#) - Nov 24 2021

[old yeller quizzes and tests teaching resources tpt](#) - Apr 10 2023

web 15 results sort by relevance view list old yeller tests quizzes assessments printable and self grading google forms created by a plus literature

[results for old yeller study guides tpt](#) - Sep 03 2022

web what are they 3 what advice did travis father give to him with regard to hunting deer 4 what animals does travis see at the salt licks while waiting for deer 5 how does

old yeller questions and answers enotes com - Jun 12 2023

web what are travis character traits what four solutions does the family try in order to keep old yeller at home and which solution works what is the name of the man that gave

[old yeller unit chandler unified school district](#) - Jul 01 2022

web this editable product contains multiple choice spelling tests for unit 2 lessons 6 10 for journeys 5th grade each test

contains 16 multiple choice sentence questions 4

quiz old yeller the bear proprofs quiz - Feb 25 2022

web displaying top 8 worksheets found for old y eller some of the worksheets for this concept are old yeller unit objective tests thinkingwriting prompts for old yeller

results for free old yeller unit resources tpt - May 11 2023

web this novel study for old yeller by fred gipson contains 99 pages of resources including comprehension questions vocabulary activities tests and more focus standards

results for old yeller quiz tpt - Oct 24 2021

old yeller 1 5 chapter test 2023 - Jul 13 2023

web old yeller 1 5 chapter test 2023 1 what is the setting of old yeller a texas in the 1860s b 1849 gold rush california c abilene kansas 1600s d 1902 oklahoma 2

old yeller study guide literature guide litcharts - Jan 07 2023

web full title old yeller when written 1950s where written texas when published 1956 literary period modernism genre children s novel setting texas hill country in the

old yeller tests quizzes assessments nothing - Dec 06 2022

web free old yeller study unit worksheets for teachers to print comprehension by chapter vocabulary challenges creative reading response activities and projects tests and

results for old yeller journeys test tpt - Apr 29 2022

web mar 21 2022 correct answer s a travis didn t recognize it because the whimpering was coming from a bear cub not arliss 9 in the story travis plans to a hit the bear with his

old yeller worksheets and literature unit edhelper - Oct 04 2022

web this lesson plan provides both full unit tests and mid unit tests you can choose from several tests that include differing combinations of multiple choice questions short

old yeller comprehension questions study com - Jan 27 2022

web mar 5 2023 novel unit for old yeller middle school novel units inc 2014 05 13 this is a combined literature and grammar unit that contains everything you need to teach the

old yeller whole book test by margaret whisnant tpt - Nov 05 2022

web gina kennedy no prep novel study for old yeller a standards based interactive notebook literature guide with follow up reading response questions for every chapter as

hata prfakademi com - Oct 25 2021

junior thematic anthology 2 mail4 bec systems - Dec 27 2021

junior thematic anthology 2 set a answer pdf mcf strathmore - Aug 03 2022

web feb 25 2023 junior thematic anthology 2 set a answer 1 5 downloaded from uniport edu ng on february 25 2023 by guest junior thematic anthology 2 set a

junior thematic anthology 2 set a answer pdf uniport edu - Jun 01 2022

web 2 2 junior thematic anthology 2 2022 02 10 screaming comes across the sky a few months after the germans secret v 2 rocket bombs begin falling on london british

junior secondary oxford university press china - Apr 11 2023

web may 2 2020 tutorial junior thematic anthology 2 this particular tutorial junior thematic anthology 2 pdf start subsequent to introduction brief session till the

tutorial junior thematic anthology 2 blogger - Jan 08 2023

web junior thematic anthology 2 thank you definitely much for downloading junior thematic anthology 2 maybe you have knowledge that people have look numerous period for

junior thematic anthology 2 set a answer pdf - Sep 04 2022

web apr 11 2023 junior thematic anthology 2 set a answer 2 5 downloaded from uniport edu ng on april 11 2023 by guest was already a thorough exploration of each

ta bk 2 ans unit 1 studylib net - Aug 15 2023

web new junior thematic anthology book 2 set a topics and modules unit module topic s 1 pranked teenage life food prank shopping teenage life television show 2 life safari

new junior thematic anthology 2 set b 2015 - Dec 07 2022

web sep 5 2023 junior thematic anthology 2 set a answer as recognized adventure as skillfully as experience more or less lesson amusement as with ease as deal can be

junior thematic anthology 2 set a answer full pdf wp publish - May 12 2023

web jul 14 2019 new junior thematic anthology 2 set b answer key is possibly you will certainly require a lot love this publication love the lesson and also enjoy the

junior thematic anthology - Jun 13 2023

web pages of junior thematic anthology 2 set a answer a mesmerizing literary creation penned by a celebrated wordsmith

readers set about an enlightening odyssey

njta topics and modules oupchina com hk - Jul 14 2023

web junior thematic anthology is a newly developed three level reading series that helps students deal effectively with a variety of text types and develop exam relevant reading

junior thematic anthology 2 retreat vedantaworld - Feb 26 2022

web apr 24 2023 junior thematic anthology 2 1 6 downloaded from uniport edu ng on april 24 2023 by guest junior thematic anthology 2 getting the books junior thematic

tercih akademi yayınları 2022 tyt tüm dersler konu trendyol - Nov 06 2022

web 4 junior thematic anthology 2 set a answer 2023 02 28 eighteenth century imperial speaker into the nineteenth century romance hero through a number of proto novelistic

yağmur türkçe 2 ders kitabı by nevlisan issuu - Mar 30 2022

web this junior thematic anthology 2 as one of the most functional sellers here will certainly be in the course of the best options to review junior thematic anthology 2 2021 11 20

junior thematic anthology 2 set a answer wrbb neu - Jul 02 2022

web apr 1 2019 yağmur türkçe 2 ders kitabı Örnek sayfalar nevlisan yağmur türkçe Öğretim seti türkçeyi yabancı dil olarak öğrenmek isteyen 12 18 yaş ilk ve ortaöğretim

junior thematic anthology 2 set a answer pdf uniport edu - Apr 30 2022

web jun 25 2023 junior thematic anthology set b 2 answer and numerous book collections from fictions to scientific research in any way among them is this junior thematic

ebook download new junior thematic anthology 2 set b - Mar 10 2023

web new junior thematic anthology 2 set b 2015 30 hk 144 0 hk 30 0 hk 30 0

junior thematic anthology 2 2023 - Oct 05 2022

web now is junior thematic anthology 2 set a answer below both fiction and non fiction are covered spanning different genres e g science fiction fantasy thrillers romance

ta bk 2 ans unit 1 unit 24 docx 1 answers new - Feb 09 2023

web 137 45 tl fragman yayınları 2023 hızlandırıcı tyt tempo soru bankası seti tüm dersler tamamı Çözümlü tamamı yeni nesil 900 sayfa 65 274 90 tl 261 15 tl 350 tl Üzeri

junior thematic anthology set b 2 answer pdf uniport edu - Jan 28 2022

web aradığınız sayfayı bulamadık anasayfadan devam edebilirsiniz facebook twitter instagram youtube 2023 yanıt yayincilikyanıt yayincilik

junior thematic anthology 2 uniport edu ng - Nov 25 2021

mill creek high school in hoschton ga us news best high schools - Jul 18 2023

mill creek high school is ranked 37th within georgia students have the opportunity to take advanced placement coursework and exams the ap participation rate at mill creek high school is 47

mill creek high school 2023 24 ranking hoschton ga - Mar 14 2023

mill creek high school is ranked within the top 50 of all 2 168 schools in georgia based off of combined math and reading proficiency testing data for the 2020 21 school year the diversity score of mill creek high school is 0 71 which is more
mill creek hs homepage gwinnett county school district - Sep 20 2023

mill creek high school principal jason lane school hours 7 20am 2 10pm with a seven period day 4400 braselton highway hoschton ga 30548 main 678 714 5850 fax 678 714 5863

atasehir campus gökkuşağı koleji - Oct 29 2021

atasehir campus gokkusagi schools atasehir campus reflects the dynamic spirit and energy of the vibrant istanbul province providing a conducive environment for learning offering a comprehensive educational experience with cambridge education and ib diploma programme the cap program creativity activity program focuses on students

mill creek high school wikipedia - Aug 19 2023

mill creek high school is a high school in hoschton georgia united states it serves the unincorporated area of hamilton mill gwinnett county a suburb of atlanta as well as braselton it also serves unincorporated areas not city limits such as zip codes 30548 30019 30542 30517 and 30519

school profiles mill creek high school gwinnett county school - Jan 12 2023

4400 braselton highway 124 hoschton ga 30548 online registration school highlights the following school highlights showcase how mill creek high school is fulfilling gwinnett county public school s four strategic priorities of empathy equity effectiveness and excellence

mill creek upsets buford in georgia high school football thriller - Sep 08 2022

oct 14 2023 if there were any doubts about mill creek ranked no 14 in the usa today high school sports super 25 the question marks should be erased after friday s statement win over no 6 buford now

columbia elementary school student hit by car school district - Sep 27 2021

oct 18 2023 this morning october 18 2023 a mill creek elementary school student was hit by a vehicle while walking to school the student who is a third grader at mill creek was transported to the

mill creek high school hoschton georgia ga greatschools - Jun 17 2023

sep 28 2023 mill creek high school located in hoschton georgia ga find mill creek high school test scores student teacher ratio parent reviews and teacher stats we re an independent nonprofit that provides parents with in depth school quality information

[buford mill creek georgia high school football 11alive com](#) - Apr 03 2022

oct 13 2023 hoschton ga update mill creek knocked off buford by a final of 31 24 buford qb dylan raiola drove down the field and got the wolves into the red zone but threw an incomplete pass on the

[gray s creek high school student arrested after loaded gun](#) - Nov 29 2021

oct 18 2023 fayetteville observer 0 03 1 08 a gray s creek high school student was arrested tuesday after a loaded gun was found inside a backpack the cumberland county sheriff s office said according to

[national rankings mill creek is georgia s highest rated team](#) - Jun 05 2022

oct 20 2023 here is where georgia teams stand in several national polls the numbers on the left are this week s rankings the numbers in parentheses are last week s rankings calpreps top 100 9 17 mill creek 18 19 walton 21 11 buford 22 25 colquitt county 25 31 newton 34 38 thomas

[mill creek high school in ga niche](#) - May 16 2023

jan 15 2022 from mill creek high school mill creek also is known around the county as having one of the largest and most active student leadership programs which it calls talon teaching advanced leadership and opening networks

[mill creek high school hoschton ga varsity football maxpreps](#) - Dec 11 2022

oct 17 2023 georgia high school football week 6 schedule scores mill creek to host parkview in matchup of top 10 squads see the mill creek hawks s football schedule roster rankings standings and more on maxpreps com

[baseball varsity baseball gwinnett county school district](#) - Nov 10 2022

mill creek high school hawks soar to excellence home about us academic calendar accountability report administration bell schedules business partners mill creek foundation mill creek hs varsity baseball varsity roster 2 owen rogers position of class 2024 3 nate best position c class 2023 4 daniel pierce position if class 2025

[mef international schools istanbul building bridges between](#) - Aug 27 2021

it is a great pleasure to extend a warm welcome to each and every mef international school community member as we enter into the 2023 2024 academic year at mef international school our policies procedures and day to day practices reflect the mission of our school in short our mission is at the heart of everything we do

[drop add drop add gwinnett county school district](#) - Oct 09 2022

april 14 may 26 2023 students can view their current course selections in studentvue course requests the course requests you are viewing are a list of courses you have requested it does not mean these are the courses that we will be able to

schedule for you

mill creek high school in hoschton ga schooldigger - Feb 13 2023

oct 13 2022 mill creek high school school profile performance trends and ga state ranking see how mill creek high school ranks with other hoschton schools mill creek high school profile including ga ranking test scores and more

mill creek high school - Feb 01 2022

mill creek high school is a high school website for mill creek alumni mill creek high provides school news reunion and graduation information alumni listings and more for former students and faculty of mill creek high in hoschton georgia

mill creek high school reviews niche - Apr 15 2023

sep 17 2023 5 months ago overall experience as a big high school mill creek has a lot of pros and cons mill creek high school offers various opportunities ranging from academics extracurriculars athletics and so on more resources are available regarding teachers counselors libraries courses etc

mill creek upsets buford live updates recap sports illustrated high - May 04 2022

oct 13 2023 home football boys basketball girls basketball baseball hoschton georgia mill creek outlasted rival buford on a rainy night georgia for a 31 24 victory in a match up of undefeated national

the mill creek chronicle the student news site of mill creek high school - Aug 07 2022

mill creek high school seniors attending a georgia college or university can request final transcripts after june 12 2023

henry m jackson high school wikipedia - Jul 06 2022

henry m jackson high school is a public high school in mill creek washington united states named after the late henry m jackson an everett native and former u s senator the school opened on september 7 1994 as the third high school in the everett school district

ib diploma programme nef international schools istanbul - Dec 31 2021

the international baccalaureate diploma programme ibdp is a rigorous pre university course of studies that culminates in external examinations the ibdp is designed to meet the needs of motivated secondary school students between the ages of 16 and 19 years designed as a comprehensive 2 year curriculum that allows its graduates to fulfil

mill creek hs calendar gwinnett county school district - Jul 26 2021

mill creek high school hawks soar to excellence home about us academics athletics clubs community school counseling

t c millî eğitim bakanlığı - Mar 02 2022

with the establishment of the ministry the schools were divided into three levels primary secondary and mekâtib i fûnûn i mütenevvia sıbyan rüştiye ve mekâtib i fûnûn i mütenevvia the first legal regulation on our education system is the regulation on education maarif i umumiye nizamname issued in 1869

