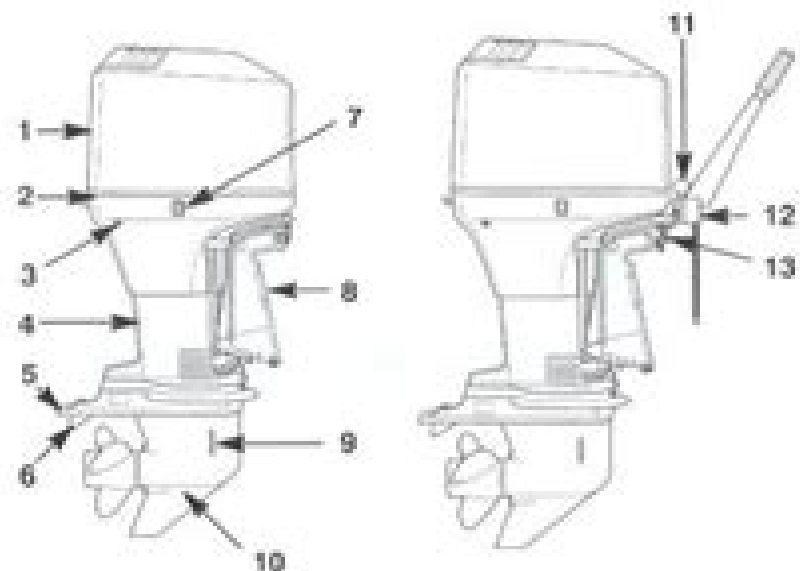


GENERAL INFORMATION

SPECIFICATIONS

Models	75	90	100	115	125
Horsepower	75	90	100	115	125
Kilowatts	56	67	75	86	93
Full Throttle RPM Range	4750-5250	5000-5500	4750-5250		
Idle Speed in Forward Gear	650-700 RPM				
Number of Cylinders	3		4		
Piston Displacement	84.57 cu. in. (1385.8cc)		112.76 cu. in. (1847.8cc)		
Cylinder Bore	3.500 in. (88.9mm)				
Stroke	2.930 in. (74mm)				
Recommended Spark Plug	NGK BLUHW-3		NGK BP6H-N-10		
Spark Plug Gap	Surface Gap		.040 in. (1.0mm)		
Gear Ratio	2.3:1		2.07:1		
Recommended Gasoline	Refer to Fuel Section				
Recommended Oil	Refer to Fuel Section				
Gear Case Lubricant Capacity	22.5 fl. oz. (666 ml)				
Battery Rating	630 Marine Cranking Amps (MCA) or 490 Cold Cranking Amps (CCA)				

GENERAL INFORMATION



COMPONENT IDENTIFICATION

- | | |
|--|---------------------------------------|
| 1. Top Cowl | 8. Transom Brackets |
| 2. Bottom Cowl | 9. Cooling Water Intake |
| 3. Water Pump Indicator Hole | 10. Gear Case |
| 4. Drive Shaft Housing | 11. Shift Handle |
| 5. Anti-Ventilation Plate | 12. Lanyard Stop Switch |
| 6. Trim Tab | 13. Steering Friction Adjustment Knob |
| 7. Auxiliary Tilt Switch (Power Trim Models) | |

Mercury 15hp 4 Stroke Owners Manual

Guillaume Favre



Mercury 15hp 4 Stroke Owners Manual:

Seloc Mercury/Mariner Outboards, 1990-00 Repair Manual Scott A. Freeman,1900 **Popular Mechanics**,1968-10 Popular Mechanics inspires instructs and influences readers to help them master the modern world Whether it s practical DIY home improvement tips gadgets and digital technology information on the newest cars or the latest breakthroughs in science PM is the ultimate guide to our high tech lifestyle **Boating** ,2000-08 **Boating** ,2000-09 *Boating* ,1962-01 **Outboard Engines** Edwin R. Sherman,1997 Outboard Engines fills the gap between owner s manuals that don t even tell you how to change a spark plug and professional shop manuals that detail how to do a complete rebuild It covers basic principles and techniques for a wide variety of outboards four stroke as well as two stroke with the emphasis on maintenance and advanced troubleshooting Ed Sherman s clear explanations and diagrams take you step by step through the basics and beyond helping you track down even the most elusive problems a modern outboard can throw in your way his methodical approach can save you a world of frustration and peril as well as time and a half weekend mechanics charges **Field & Stream** ,1978-12 FIELD STREAM America s largest outdoor sports magazine celebrates the outdoor experience with great stories compelling photography and sound advice while honoring the traditions hunters and fishermen have passed down for generations **Motor Sport** William Boddy,1960 *Boating* ,1973-07 *Popular Mechanics* ,1975-05 Popular Mechanics inspires instructs and influences readers to help them master the modern world Whether it s practical DIY home improvement tips gadgets and digital technology information on the newest cars or the latest breakthroughs in science PM is the ultimate guide to our high tech lifestyle **Iron Age** ,1961 **Automotive Industries** ,1970 Vols for 1919 include an Annual statistical issue title varies **Industrial World** ,1959 **Automatic Control** ,1954 **Popular Mechanics** ,1976-02 Popular Mechanics inspires instructs and influences readers to help them master the modern world Whether it s practical DIY home improvement tips gadgets and digital technology information on the newest cars or the latest breakthroughs in science PM is the ultimate guide to our high tech lifestyle **Chilton's Automotive Industries** ,1970 **Field & Stream** ,1988-03 FIELD STREAM America s largest outdoor sports magazine celebrates the outdoor experience with great stories compelling photography and sound advice while honoring the traditions hunters and fishermen have passed down for generations Power ,1921 **Power Farming in Australia and New Zealand Technical Manual** ,1964 **Popular Mechanics** ,1976-02 Popular Mechanics inspires instructs and influences readers to help them master the modern world Whether it s practical DIY home improvement tips gadgets and digital technology information on the newest cars or the latest breakthroughs in science PM is the ultimate guide to our high tech lifestyle

This is likewise one of the factors by obtaining the soft documents of this **Mercury 15hp 4 Stroke Owners Manual** by online. You might not require more period to spend to go to the books inauguration as capably as search for them. In some cases, you likewise complete not discover the message Mercury 15hp 4 Stroke Owners Manual that you are looking for. It will unquestionably squander the time.

However below, in the manner of you visit this web page, it will be hence certainly simple to get as without difficulty as download lead Mercury 15hp 4 Stroke Owners Manual

It will not give a positive response many become old as we explain before. You can complete it though feint something else at house and even in your workplace. appropriately easy! So, are you question? Just exercise just what we find the money for below as well as review **Mercury 15hp 4 Stroke Owners Manual** what you with to read!

<https://splashdogs.com/data/publication/default.aspx/Kpmg%20Us%20Master%20Tax%20Guide%202013.pdf>

Table of Contents Mercury 15hp 4 Stroke Owners Manual

1. Understanding the eBook Mercury 15hp 4 Stroke Owners Manual
 - The Rise of Digital Reading Mercury 15hp 4 Stroke Owners Manual
 - Advantages of eBooks Over Traditional Books
2. Identifying Mercury 15hp 4 Stroke Owners Manual
 - Exploring Different Genres
 - Considering Fiction vs. Non-Fiction
 - Determining Your Reading Goals
3. Choosing the Right eBook Platform
 - Popular eBook Platforms
 - Features to Look for in an Mercury 15hp 4 Stroke Owners Manual
 - User-Friendly Interface
4. Exploring eBook Recommendations from Mercury 15hp 4 Stroke Owners Manual

- Personalized Recommendations
 - Mercury 15hp 4 Stroke Owners Manual User Reviews and Ratings
 - Mercury 15hp 4 Stroke Owners Manual and Bestseller Lists
5. Accessing Mercury 15hp 4 Stroke Owners Manual Free and Paid eBooks
 - Mercury 15hp 4 Stroke Owners Manual Public Domain eBooks
 - Mercury 15hp 4 Stroke Owners Manual eBook Subscription Services
 - Mercury 15hp 4 Stroke Owners Manual Budget-Friendly Options
 6. Navigating Mercury 15hp 4 Stroke Owners Manual eBook Formats
 - ePub, PDF, MOBI, and More
 - Mercury 15hp 4 Stroke Owners Manual Compatibility with Devices
 - Mercury 15hp 4 Stroke Owners Manual Enhanced eBook Features
 7. Enhancing Your Reading Experience
 - Adjustable Fonts and Text Sizes of Mercury 15hp 4 Stroke Owners Manual
 - Highlighting and Note-Taking Mercury 15hp 4 Stroke Owners Manual
 - Interactive Elements Mercury 15hp 4 Stroke Owners Manual
 8. Staying Engaged with Mercury 15hp 4 Stroke Owners Manual
 - Joining Online Reading Communities
 - Participating in Virtual Book Clubs
 - Following Authors and Publishers Mercury 15hp 4 Stroke Owners Manual
 9. Balancing eBooks and Physical Books Mercury 15hp 4 Stroke Owners Manual
 - Benefits of a Digital Library
 - Creating a Diverse Reading Collection Mercury 15hp 4 Stroke Owners Manual
 10. Overcoming Reading Challenges
 - Dealing with Digital Eye Strain
 - Minimizing Distractions
 - Managing Screen Time
 11. Cultivating a Reading Routine Mercury 15hp 4 Stroke Owners Manual
 - Setting Reading Goals Mercury 15hp 4 Stroke Owners Manual
 - Carving Out Dedicated Reading Time
 12. Sourcing Reliable Information of Mercury 15hp 4 Stroke Owners Manual

- Fact-Checking eBook Content of Mercury 15hp 4 Stroke Owners Manual
 - Distinguishing Credible Sources
13. Promoting Lifelong Learning
- Utilizing eBooks for Skill Development
 - Exploring Educational eBooks
14. Embracing eBook Trends
- Integration of Multimedia Elements
 - Interactive and Gamified eBooks

Mercury 15hp 4 Stroke Owners Manual Introduction

In this digital age, the convenience of accessing information at our fingertips has become a necessity. Whether its research papers, eBooks, or user manuals, PDF files have become the preferred format for sharing and reading documents. However, the cost associated with purchasing PDF files can sometimes be a barrier for many individuals and organizations. Thankfully, there are numerous websites and platforms that allow users to download free PDF files legally. In this article, we will explore some of the best platforms to download free PDFs. One of the most popular platforms to download free PDF files is Project Gutenberg. This online library offers over 60,000 free eBooks that are in the public domain. From classic literature to historical documents, Project Gutenberg provides a wide range of PDF files that can be downloaded and enjoyed on various devices. The website is user-friendly and allows users to search for specific titles or browse through different categories. Another reliable platform for downloading Mercury 15hp 4 Stroke Owners Manual free PDF files is Open Library. With its vast collection of over 1 million eBooks, Open Library has something for every reader. The website offers a seamless experience by providing options to borrow or download PDF files. Users simply need to create a free account to access this treasure trove of knowledge. Open Library also allows users to contribute by uploading and sharing their own PDF files, making it a collaborative platform for book enthusiasts. For those interested in academic resources, there are websites dedicated to providing free PDFs of research papers and scientific articles. One such website is Academia.edu, which allows researchers and scholars to share their work with a global audience. Users can download PDF files of research papers, theses, and dissertations covering a wide range of subjects. Academia.edu also provides a platform for discussions and networking within the academic community. When it comes to downloading Mercury 15hp 4 Stroke Owners Manual free PDF files of magazines, brochures, and catalogs, Issuu is a popular choice. This digital publishing platform hosts a vast collection of publications from around the world. Users can search for specific titles or explore various categories and genres. Issuu offers a seamless reading experience with its user-friendly interface and allows users to download PDF files for offline

reading. Apart from dedicated platforms, search engines also play a crucial role in finding free PDF files. Google, for instance, has an advanced search feature that allows users to filter results by file type. By specifying the file type as "PDF," users can find websites that offer free PDF downloads on a specific topic. While downloading Mercury 15hp 4 Stroke Owners Manual free PDF files is convenient, it's important to note that copyright laws must be respected. Always ensure that the PDF files you download are legally available for free. Many authors and publishers voluntarily provide free PDF versions of their work, but it's essential to be cautious and verify the authenticity of the source before downloading Mercury 15hp 4 Stroke Owners Manual. In conclusion, the internet offers numerous platforms and websites that allow users to download free PDF files legally. Whether it's classic literature, research papers, or magazines, there is something for everyone. The platforms mentioned in this article, such as Project Gutenberg, Open Library, Academia.edu, and Issuu, provide access to a vast collection of PDF files. However, users should always be cautious and verify the legality of the source before downloading Mercury 15hp 4 Stroke Owners Manual any PDF files. With these platforms, the world of PDF downloads is just a click away.

FAQs About Mercury 15hp 4 Stroke Owners Manual Books

How do I know which eBook platform is the best for me? Finding the best eBook platform depends on your reading preferences and device compatibility. Research different platforms, read user reviews, and explore their features before making a choice. Are free eBooks of good quality? Yes, many reputable platforms offer high-quality free eBooks, including classics and public domain works. However, make sure to verify the source to ensure the eBook credibility. Can I read eBooks without an eReader? Absolutely! Most eBook platforms offer webbased readers or mobile apps that allow you to read eBooks on your computer, tablet, or smartphone. How do I avoid digital eye strain while reading eBooks? To prevent digital eye strain, take regular breaks, adjust the font size and background color, and ensure proper lighting while reading eBooks. What the advantage of interactive eBooks? Interactive eBooks incorporate multimedia elements, quizzes, and activities, enhancing the reader engagement and providing a more immersive learning experience. Mercury 15hp 4 Stroke Owners Manual is one of the best book in our library for free trial. We provide copy of Mercury 15hp 4 Stroke Owners Manual in digital format, so the resources that you find are reliable. There are also many Ebooks of related with Mercury 15hp 4 Stroke Owners Manual. Where to download Mercury 15hp 4 Stroke Owners Manual online for free? Are you looking for Mercury 15hp 4 Stroke Owners Manual PDF? This is definitely going to save you time and cash in something you should think about. If you trying to find then search around for online. Without a doubt there are numerous these available and many of them have the freedom. However without doubt you receive whatever you purchase. An alternate way to get ideas is always to check another Mercury 15hp 4 Stroke Owners Manual. This method for see exactly what may be included and adopt these ideas to

your book. This site will almost certainly help you save time and effort, money and stress. If you are looking for free books then you really should consider finding to assist you try this. Several of Mercury 15hp 4 Stroke Owners Manual are for sale to free while some are payable. If you arent sure if the books you would like to download works with for usage along with your computer, it is possible to download free trials. The free guides make it easy for someone to free access online library for download books to your device. You can get free download on free trial for lots of books categories. Our library is the biggest of these that have literally hundreds of thousands of different products categories represented. You will also see that there are specific sites catered to different product types or categories, brands or niches related with Mercury 15hp 4 Stroke Owners Manual. So depending on what exactly you are searching, you will be able to choose e books to suit your own need. Need to access completely for Campbell Biology Seventh Edition book? Access Ebook without any digging. And by having access to our ebook online or by storing it on your computer, you have convenient answers with Mercury 15hp 4 Stroke Owners Manual To get started finding Mercury 15hp 4 Stroke Owners Manual, you are right to find our website which has a comprehensive collection of books online. Our library is the biggest of these that have literally hundreds of thousands of different products represented. You will also see that there are specific sites catered to different categories or niches related with Mercury 15hp 4 Stroke Owners Manual So depending on what exactly you are searching, you will be able to choose ebook to suit your own need. Thank you for reading Mercury 15hp 4 Stroke Owners Manual. Maybe you have knowledge that, people have search numerous times for their favorite readings like this Mercury 15hp 4 Stroke Owners Manual, but end up in harmful downloads. Rather than reading a good book with a cup of coffee in the afternoon, instead they juggled with some harmful bugs inside their laptop. Mercury 15hp 4 Stroke Owners Manual is available in our book collection an online access to it is set as public so you can download it instantly. Our digital library spans in multiple locations, allowing you to get the most less latency time to download any of our books like this one. Merely said, Mercury 15hp 4 Stroke Owners Manual is universally compatible with any devices to read.

Find Mercury 15hp 4 Stroke Owners Manual :

kpmg us master tax guide 2013

ks3 maths past papers level 5 7

ktm 50 sx owners manual

ktm 20exc user guide

ktm 250 xcf w repair service manual

korg x5music synthesizer operation guide

kotpal invertebrate zoology

krugman international economics study guide

[kothamalli chutney recipe](#)

ktm 450 exc service manual

kpsc excise sub inspector exam papers

ktm service manual 2015 250sxf

[kssats papers moving house](#)

korg triton le music workstation manual

[ks3 maths exam papers](#)

Mercury 15hp 4 Stroke Owners Manual :

Urban Economics, 7th Edition by Arthur O'Sullivan The new edition continues to cover urban economics as the discipline that lies at the intersection of geography and economics. "Urban Economics" incorporates ... Urban Economics: O'Sullivan, Arthur The Seventh edition of Urban Economics continues to be the market leading textbook due to its thorough content and concise writing style. Urban Economics, 7th Edition by Arthur O'Sullivan The new edition continues to cover urban economics as the discipline that lies at the intersection of geography and economics. "Urban Economics" incorporates ... Urban Economics, 7th Edition The seventh edition of "Urban Economics" continues to be the market leading textbook due to its thorough content and concise writing style. Urban Economics, 7th Edition by Arthur O'Sullivan McGraw Hill. Seventh Edition. Good. Good. International edition. Ship within 24hrs. Satisfaction 100% guaranteed. APO/FPO addresses supported. ISBN: 9780073375786 - Urban Economics (7th edition) Show Synopsis. The Seventh edition of Urban Economics continues to be the market leading textbook due to its thorough content and concise writing style. Urban Economics 7th Edition by Arthur Osullivan Urban Economics, 7th Edition by Arthur O'Sullivan and a great selection of related books, art and collectibles available now at AbeBooks.com. Urban Economics 7th Edition Arthur O'sullian 2009 Urban Economics, 7th Edition by Arthur O'Sullivan (paperback). Pre-Owned ... Urban Economics, 7th Edition by Arthur O'Sullivan (paperback). \$10.49. +\$9.99 ... Urban Economics, 7th Edition by Arthur O'Sullivan Like the seven previous editions, this edition provides a clear and concise presentation of the economic forces that cause the development of cities, ... Urban Economics | Rent | 9780073375786 Rent Urban Economics 7th edition (978-0073375786) today, or search our site for other textbooks by Arthur O'Sullivan. Every textbook comes with a 21-day ... The Real Coke, the Real Story: Oliver, Thomas Tells the story of how Coke came to change its formula - the management concerns, the group think process, and the ultimate results and how we came back to ... The Real Coke, the Real Story by Thomas Oliver This is the story of how the Coca-Cola Company failed to realize the value of its own product and how they turned the mistake into a marketing triumph. Genres ... Real Coke: Real Story by Oliver, Thomas A

financial writer with exclusive access to the Coca-Cola Company introduces the men who weathered the corporate storms of the early 1980s and then ... The Real Coke, the Real Story by Thomas Oliver The Real Coke, the Real Story is the behind-the-scenes account of what prompted Coca-Cola to change the taste of its flagship brand—and how consumers persuaded ... The Real Coke, the Real Story The Real Coke, The Real Story is a behind-the-scenes account of how and why the company changed the taste of its flagship brand. Much of the story has never ... The Real Coke, the Real Story - Thomas Oliver In 1985, the Coca-Cola Company did the unthinkable; they destroyed an American institution; they changed the taste of Coke. This is the story of how the ... The Real Coke, the Real Story by Thomas Oliver Examines why the set-in-its-ways Coca Cola Company tampered with a drink that had become an American institution—and blundered into one of the greatest ... The Real Coke, the Real Story by Thomas Oliver | eBook Examines why the set-in-its-ways Coca Cola Company tampered with a drink that had become an American institution—and blundered into one of. The Real Coke, the Real Story book by Thomas Oliver Buy a cheap copy of The Real Coke, the Real Story book by Thomas Oliver. Free Shipping on all orders over \$15. The Real Coke, the Real Story eBook by Thomas Oliver Read "The Real Coke, the Real Story" by Thomas Oliver available from Rakuten Kobo. "Examines why the set-in-its-ways Coca Cola Company tampered with a drink ... Service Manual for Ford 550 555 Tractor Loader Backhoe ... Amazon.com: Service Manual for Ford 550 555 Tractor Loader Backhoe Repair Technical Shop Book : Patio, Lawn & Garden. Service Manual For Ford 455D 555D 575D 655D 675D ... Service / Repair / Overhaul Manual. Ford / New Holland Tractor Loader Backhoes. Complete Manual, Covers all Components. This comprehensive manual includes. See ... Ford 555 d backhoe loader service repair manual | PDF Aug 22, 2020 — Ford 555 d backhoe loader service repair manual - Download as a PDF or view online for free. ford 555D service manual Search 555D ; service manual ; sold in NA (North America). Buy by the section, hard copy, .pdf download, DVD, whatever. Factory repair manuals can't be beat. ford 455d 555d 575d 655d 675d tractor loader backhoe ... Ford Tractor Loader Backhoes Models: 455D 555D 575D 655D 675D Tractor Service / Repair / Overhaul Manual Complete Manual, Covers all Components This ... Ford 455D, 555D, 575D, 655D, 675D Backhoe Latest edition. This repair manual provides information for the proper service and overhaul of Ford 455D, 555D, 575D, 655D and 675D tractor loader/backhoe ... Ford 555D Tractor Loader Backhoe Service Manual (3 & 4 ... This is the best manual for repairing your Tractor Loader Backhoe. The Service Manual saves you time, money, frustration, and bloody knuckles. Get the job done ... FORD 455D 555D 575D 655D 675D BACKHOES Service ... FORD 455D 555D 575D 655D 675D BACKHOES Service Repair manual pdf Download. sameDAYmanuals. 4 out of 5 stars. You can only make an offer when buying a single ... Ford 555 Tractor Loader Backhoe Service Manual It contains 672 pages of critical technical information and instruction for your Tractor Loader Backhoe. Written in the language of a mechanic, it was ... Ford 455D, 555D, 575D, 655D, 675D Backhoe Loader ... This Service Manual for the Ford 455D, 555D, 575D, 655D, 675D Backhoe Loader provides general directions for accomplishing service and repair work with tested, ...