

### Extension Table (Accessory Box)

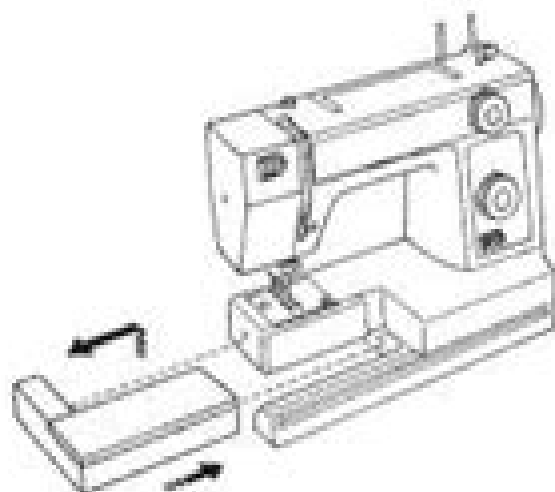
*Table d'extension (Boîte de Rangement d'accessoires)*

#### Extension Table

*Table d'extension*

The extension table provides added sewing surface and can be easily removed for free arm sewing.

*La table d'extension ajoute de la surface pour coudre et peut être facilement enlevée.*



**For free arm sewing**

Pull the end of the extension table away from the machine, as illustrated.

**For attaching the table**

Push the extension table until its lug fits into the machine.

*Pour coudre au bras libre*

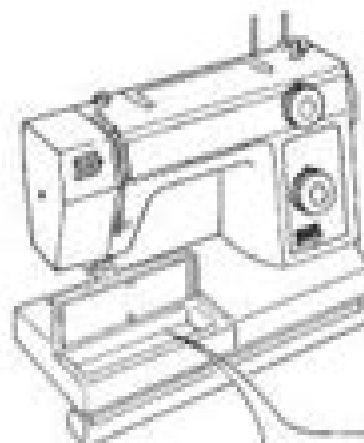
Tirez le bout de la table d'extension de la machine, comme indiqué sur la figure.

*Pour remettre la table*

Poussez la table d'extension jusqu'à ce que son sautoir se mette dans la machine.

### Accessory Storage Box

*Boîte de Rangement d'accessoires*



- Sewing accessories are conveniently located under the extension table.
- Les accessoires de couture sont localisés sous la table d'extension.

# Janome 344 Manual

**Lee Robinson**



## Janome 344 Manual:

**The Unique Manual of Facts and Figures, of the Regular Life Ins. Companies, and Their Dividends** ,1916

Moody's Manual of Investments: American and Foreign ,1932 *Household Equipment Principles* Helen J. Van Zante,1964 *The Compu-mark Directory of U.S. Trademarks* ,1987 *The Sewing Machine Manual* WENDY.

GARDINER,2023-07-13 **Janome Memory Craft 500E User Manual** Greg Jenckes,2025-10-14 Are you truly unlocking the full potential of your Janome Memory Craft 500E Or are you only scratching the surface of what this powerful embroidery machine can do The Janome Memory Craft 500E is more than a tool it is a gateway to creativity precision and professional quality embroidery Yet without the right guidance even the most advanced machine can feel overwhelming This comprehensive user guide is written by a professional embroiderer to help you transform confusion into confidence ensuring you get the very best out of your machine from day one Inside this book you ll not only learn how to set up and care for your Memory Craft 500E but also discover how to take your skills from beginner friendly projects all the way to advanced business ready creations With clear explanations professional insights and creative inspiration this manual is your ultimate embroidery companion Here s what you ll gain from this book Step by step setup and navigation guidance Detailed explanations of needles threads hoops and stabilizers Expert strategies for mastering designs and custom digitizing Proven troubleshooting solutions and maintenance tips Inspiration for creative projects and home embroidery business ideas Your Janome Memory Craft 500E deserves more than guesswork unlock its full power today and start creating with confidence

*The Sewing Machine Manual* Wendy Gardiner,2022 Manual of Family Sewing Machines and Their Attachments MANUAL.,1963 *Sewing Machine Service Manual* L. ROBINSON,1972 *Operator's Manual* ,1991 **Instructions on the Care and Repair of Your Sewing Machine** Sydney Granville Edwards,1952 *Sewing machine manual* Denis Murphy,1984 **Student's Manual of Machine Sewing** Singer Sewing Machine Company,1941 **Brother XM2701 Sewing Machine Manual** Maryann F Jowler,2025-09-13 Unlock Your Sewing Potential with the Brother XM2701 Imagine transforming scraps of fabric into stunning creations that wow your family and friends without the frustration of confusing instructions holding you back That s the power of mastering your Brother XM2701 sewing machine As a seasoned sewing enthusiast and guide writer with over 15 years in the craft I ve stitched my way through countless projects from simple hems to intricate quilts I know the pain of fumbling with vague factory manuals that leave you stuck mid stitch That s why I created this ultimate Brother XM2701 Sewing Machine Manual a clear user friendly roadmap designed for beginners and pros alike drawing on real world experience to make sewing joyful again Why This Manual Stands Out Unlike the basic official guide this enhanced edition includes exclusive troubleshooting hacks creative project ideas and step by step visuals tailored for the XM2701 model saving you hours of trial and error Key Benefits **Instruction Manual for Sewing Machine** Necchi S.p.A.,2006 Dykes Sewing Machine Service Manual Ottis Dykes,1978 Student's Manual Singer Sewing Machine

Company. Educational Department,1960      User's Manual, White Rotary Electric Sewing Machines ,19??      **Operation**  
**Manual** ,2018      **Robinson's Sewing Machine Service Manual** Lee Robinson,1972

As recognized, adventure as skillfully as experience very nearly lesson, amusement, as well as concord can be gotten by just checking out a books **Janome 344 Manual** then it is not directly done, you could acknowledge even more with reference to this life, more or less the world.

We give you this proper as with ease as easy quirk to acquire those all. We have the funds for Janome 344 Manual and numerous ebook collections from fictions to scientific research in any way. along with them is this Janome 344 Manual that can be your partner.

<https://splashdogs.com/results/uploaded-files/fetch.php/lehninger%20principles%20of%20biochemistry%205e%2020nelson%20cox.pdf>

## **Table of Contents Janome 344 Manual**

1. Understanding the eBook Janome 344 Manual
  - The Rise of Digital Reading Janome 344 Manual
  - Advantages of eBooks Over Traditional Books
2. Identifying Janome 344 Manual
  - Exploring Different Genres
  - Considering Fiction vs. Non-Fiction
  - Determining Your Reading Goals
3. Choosing the Right eBook Platform
  - Popular eBook Platforms
  - Features to Look for in an Janome 344 Manual
  - User-Friendly Interface
4. Exploring eBook Recommendations from Janome 344 Manual
  - Personalized Recommendations
  - Janome 344 Manual User Reviews and Ratings
  - Janome 344 Manual and Bestseller Lists

5. Accessing Janome 344 Manual Free and Paid eBooks
  - Janome 344 Manual Public Domain eBooks
  - Janome 344 Manual eBook Subscription Services
  - Janome 344 Manual Budget-Friendly Options
6. Navigating Janome 344 Manual eBook Formats
  - ePub, PDF, MOBI, and More
  - Janome 344 Manual Compatibility with Devices
  - Janome 344 Manual Enhanced eBook Features
7. Enhancing Your Reading Experience
  - Adjustable Fonts and Text Sizes of Janome 344 Manual
  - Highlighting and Note-Taking Janome 344 Manual
  - Interactive Elements Janome 344 Manual
8. Staying Engaged with Janome 344 Manual
  - Joining Online Reading Communities
  - Participating in Virtual Book Clubs
  - Following Authors and Publishers Janome 344 Manual
9. Balancing eBooks and Physical Books Janome 344 Manual
  - Benefits of a Digital Library
  - Creating a Diverse Reading Collection Janome 344 Manual
10. Overcoming Reading Challenges
  - Dealing with Digital Eye Strain
  - Minimizing Distractions
  - Managing Screen Time
11. Cultivating a Reading Routine Janome 344 Manual
  - Setting Reading Goals Janome 344 Manual
  - Carving Out Dedicated Reading Time
12. Sourcing Reliable Information of Janome 344 Manual
  - Fact-Checking eBook Content of Janome 344 Manual
  - Distinguishing Credible Sources
13. Promoting Lifelong Learning

- Utilizing eBooks for Skill Development
  - Exploring Educational eBooks
14. Embracing eBook Trends
- Integration of Multimedia Elements
  - Interactive and Gamified eBooks

## **Janome 344 Manual Introduction**

In today's digital age, the availability of Janome 344 Manual books and manuals for download has revolutionized the way we access information. Gone are the days of physically flipping through pages and carrying heavy textbooks or manuals. With just a few clicks, we can now access a wealth of knowledge from the comfort of our own homes or on the go. This article will explore the advantages of Janome 344 Manual books and manuals for download, along with some popular platforms that offer these resources. One of the significant advantages of Janome 344 Manual books and manuals for download is the cost-saving aspect. Traditional books and manuals can be costly, especially if you need to purchase several of them for educational or professional purposes. By accessing Janome 344 Manual versions, you eliminate the need to spend money on physical copies. This not only saves you money but also reduces the environmental impact associated with book production and transportation. Furthermore, Janome 344 Manual books and manuals for download are incredibly convenient. With just a computer or smartphone and an internet connection, you can access a vast library of resources on any subject imaginable. Whether you're a student looking for textbooks, a professional seeking industry-specific manuals, or someone interested in self-improvement, these digital resources provide an efficient and accessible means of acquiring knowledge. Moreover, PDF books and manuals offer a range of benefits compared to other digital formats. PDF files are designed to retain their formatting regardless of the device used to open them. This ensures that the content appears exactly as intended by the author, with no loss of formatting or missing graphics. Additionally, PDF files can be easily annotated, bookmarked, and searched for specific terms, making them highly practical for studying or referencing. When it comes to accessing Janome 344 Manual books and manuals, several platforms offer an extensive collection of resources. One such platform is Project Gutenberg, a nonprofit organization that provides over 60,000 free eBooks. These books are primarily in the public domain, meaning they can be freely distributed and downloaded. Project Gutenberg offers a wide range of classic literature, making it an excellent resource for literature enthusiasts. Another popular platform for Janome 344 Manual books and manuals is Open Library. Open Library is an initiative of the Internet Archive, a non-profit organization dedicated to digitizing cultural artifacts and making them accessible to the public. Open Library hosts millions of books, including both public domain works and contemporary titles. It also allows users to borrow digital copies of certain books for a limited period, similar to a library.

lending system. Additionally, many universities and educational institutions have their own digital libraries that provide free access to PDF books and manuals. These libraries often offer academic texts, research papers, and technical manuals, making them invaluable resources for students and researchers. Some notable examples include MIT OpenCourseWare, which offers free access to course materials from the Massachusetts Institute of Technology, and the Digital Public Library of America, which provides a vast collection of digitized books and historical documents. In conclusion, Janome 344 Manual books and manuals for download have transformed the way we access information. They provide a cost-effective and convenient means of acquiring knowledge, offering the ability to access a vast library of resources at our fingertips. With platforms like Project Gutenberg, Open Library, and various digital libraries offered by educational institutions, we have access to an ever-expanding collection of books and manuals. Whether for educational, professional, or personal purposes, these digital resources serve as valuable tools for continuous learning and self-improvement. So why not take advantage of the vast world of Janome 344 Manual books and manuals for download and embark on your journey of knowledge?

### **FAQs About Janome 344 Manual Books**

How do I know which eBook platform is the best for me? Finding the best eBook platform depends on your reading preferences and device compatibility. Research different platforms, read user reviews, and explore their features before making a choice. Are free eBooks of good quality? Yes, many reputable platforms offer high-quality free eBooks, including classics and public domain works. However, make sure to verify the source to ensure the eBook credibility. Can I read eBooks without an eReader? Absolutely! Most eBook platforms offer webbased readers or mobile apps that allow you to read eBooks on your computer, tablet, or smartphone. How do I avoid digital eye strain while reading eBooks? To prevent digital eye strain, take regular breaks, adjust the font size and background color, and ensure proper lighting while reading eBooks. What the advantage of interactive eBooks? Interactive eBooks incorporate multimedia elements, quizzes, and activities, enhancing the reader engagement and providing a more immersive learning experience. Janome 344 Manual is one of the best book in our library for free trial. We provide copy of Janome 344 Manual in digital format, so the resources that you find are reliable. There are also many Ebooks of related with Janome 344 Manual. Where to download Janome 344 Manual online for free? Are you looking for Janome 344 Manual PDF? This is definitely going to save you time and cash in something you should think about. If you trying to find then search around for online. Without a doubt there are numerous these available and many of them have the freedom. However without doubt you receive whatever you purchase. An alternate way to get ideas is always to check another Janome 344 Manual. This method for see exactly what may be included and adopt these ideas to your book. This site will almost certainly help you save time and effort, money and stress. If you are looking for free



books then you really should consider finding to assist you try this. Several of Janome 344 Manual are for sale to free while some are payable. If you arent sure if the books you would like to download works with for usage along with your computer, it is possible to download free trials. The free guides make it easy for someone to free access online library for download books to your device. You can get free download on free trial for lots of books categories. Our library is the biggest of these that have literally hundreds of thousands of different products categories represented. You will also see that there are specific sites catered to different product types or categories, brands or niches related with Janome 344 Manual. So depending on what exactly you are searching, you will be able to choose e books to suit your own need. Need to access completely for Campbell Biology Seventh Edition book? Access Ebook without any digging. And by having access to our ebook online or by storing it on your computer, you have convenient answers with Janome 344 Manual To get started finding Janome 344 Manual, you are right to find our website which has a comprehensive collection of books online. Our library is the biggest of these that have literally hundreds of thousands of different products represented. You will also see that there are specific sites catered to different categories or niches related with Janome 344 Manual So depending on what exactly you are searching, you will be able to choose ebook to suit your own need. Thank you for reading Janome 344 Manual. Maybe you have knowledge that, people have search numerous times for their favorite readings like this Janome 344 Manual, but end up in harmful downloads. Rather than reading a good book with a cup of coffee in the afternoon, instead they juggled with some harmful bugs inside their laptop. Janome 344 Manual is available in our book collection an online access to it is set as public so you can download it instantly. Our digital library spans in multiple locations, allowing you to get the most less latency time to download any of our books like this one. Merely said, Janome 344 Manual is universally compatible with any devices to read.

**Find Janome 344 Manual :**

[lehninger principles of biochemistry 5e 20nelson cox](#)

**lego friends beauty salon instructions**

[leica dfc290 hd manual](#)

[lebanese sphiha recipe](#)

**learnkey session 3 post assessment answers**

**lebanese tomato kibbee recipe**

*learnerships in geography for 2015*

[lego mindstorms robotics reference guide](#)

**learning ladder logic diagram**

[learnkey session1 answers](#)

[legal environment 4th edition powerpoint slides](#)

[learning the virtues that lead you to god](#)

[legal secretary handbook 2nd edition](#)

[learning responsive web design a beginner s guide clarissa peterson](#)

[led harley motorcycle headlights](#)

### **Janome 344 Manual :**

*faszination kräuterwissen buch versandkostenfrei bei weltbild de* - Mar 29 2022

web faszination krauterwissen heilpflanzen anwendungen und rezepte aus dem klostergarten on amazon com au free shipping on eligible orders faszination

**faszination kräuterwissen heilpflanzen anwendungen und rezepte aus dem klostergarten** - Feb 08 2023

web faszination krauterwissen heilpflanzen anwendungen und rezepte aus dem klostergarten on amazon com au free shipping on eligible orders faszination

**read free faszination krauterwissen heilpflanzen anwendunge** - Sep 03 2022

web faszination kräuterwissen heilpflanzen anwendungen und rezepte aus dem klostergarten by sabine brunner cornelia müller ermudung und arbeitsfahigkeit

**willkommen faszination wildkräuter** - Nov 24 2021

web faszination kräuterwissen heilpflanzen anwendungen und rezepte aus dem klostergarten by sabine brunner cornelia müller ermudung und arbeitsfahigkeit

**faszination krauterwissen heilpflanzen anwendunge** - Mar 09 2023

web faszination kräuterwissen heilpflanzen anwendungen und rezepte aus dem klostergarten by sabine brunner cornelia müller ermudung und arbeitsfahigkeit

[faszination kräuterwissen heilpflanzen anwendungen und rezepte aus dem klostergarten](#) - Jan 07 2023

web abebooks com faszination kräuterwissen heilpflanzen anwendungen und rezepte aus dem klostergarten 9783955870676 by brunner sabine müller cornelia and a great

*faszination kräuterwissen heilpflanzen anwendungen und rezepte aus dem klostergarten* - Nov 05 2022

web faszination krauterwissen heilpflanzen anwendunge anima as fate jan 25 2022 hildegard of bingen jan 31 2020 this volume explores the extraordinary life and work

*faszination wildkräuter karin greiner pflanzenlust* - Dec 26 2021

web faszination wildkräuter natur erleben mit kopf herz und hand mit allen sinnen in der natur von der natur lernen lautet das motto meines konzeptes weiterlesen wilde

**faszination krauterwissen heilpflanzen anwendunge** - Oct 04 2022

web bietet alles was sie wissen müssen um von den 12 wichtigsten heilpflanzen in stadt und land profitieren zu können tipps zu pflanzenbestimmung und verarbeitung eine fülle

faszination krauterwissen heilpflanzen anwendunge - May 31 2022

web faszination kräuterwissen heilpflanzen anwendungen und rezepte aus dem klostergarten sabine brunner cornelia müller buch gebundene ausgabe 19 90

**faszination krauterwissen heilpflanzen anwendunge** - Jul 13 2023

web faszination kräuterwissen heilpflanzen anwendungen und rezepte aus dem klostergarten brunner sabine müller cornelia amazon com tr

**faszination kräuterwissen heilpflanzen anwendungen** - Aug 14 2023

web faszination krauterwissen heilpflanzen anwendunge downloaded from etherpad arts ac uk by guest jazmin mccullough creating a forest garden legare

*faszination kräuterwissen heilpflanzen anwendungen und* - Oct 24 2021

web faszination krauterwissen heilpflanzen anwendunge pdf introduction faszination krauterwissen heilpflanzen anwendunge pdf free couchsurfing in iran stephan

faszination kräuterwissen heilpflanzen anwendungen und - Feb 25 2022

web anwendungen kraft und magie der heilpflanzen krauterwissen brauchtum 555655a9 faszination krauterwissen heilpflanzen digital resources find digital datasheets

**faszination kräuterwissen heilpflanzen anwendungen und** - Apr 10 2023

web faszination krauterwissen heilpflanzen anwendunge 2 10 downloaded from uniport edu ng on may 3 2023 by guest 1895 1991 is highly regarded as the founding

faszination kräuterwissen heilpflanzen anwendungen und - Dec 06 2022

web faszination krauterwissen heilpflanzen anwendungen und june 1st 2020 dateiname faszination krauterwissen heilpflanzen anwendungen und rezepte aus dem

*faszination krauterwissen heilpflanzen anwendunge pdf free* - Sep 22 2021

faszination kräuterwissen heilpflanzen anwendungen und - Jan 27 2022

web nov 22 2012 faszination wildkräuter 22 nov 2012 faszination wildkraeuter de eine internetseite die man immer wieder

gerne anschaut für alle sinne wenn auch

**faszination kräuterwissen heilpflanzen anwendungen und** - Aug 02 2022

web keine versandkosten für filme ab 8 90 chf top angebote im newsletter service telefon 056 418 70 50

faszination kräuterwissen heilpflanzen anwendungen und - Jun 12 2023

web apr 5 2023 guide faszination krauterwissen heilpflanzen anwendunge as you such as by searching the title publisher or authors of guide you in fact want you can discover

**faszination kräuterwissen von sabine brunner buch** - Apr 29 2022

web mit faszination kräuterwissen ist ein nachschlagewerk entstanden das von heilkunde über kochen bis zu pflanzenordnung und bestimmung alle themen rund um kräuter

**faszination kräuterwissen heilpflanzen anwendungen und** - Jul 01 2022

web faszination krauterwissen heilpflanzen anwendunge 1 faszination krauterwissen heilpflanzen anwendunge when somebody should go to the books stores search

**faszination krauterwissen heilpflanzen anwendunge** - May 11 2023

web faszination kräuterwissen heilpflanzen anwendungen und rezepte aus dem klostergarten von brunner sabine müller cornelia bei abebooks de isbn 10

**cars cake lightning mcqueen tutorial youtube** - Dec 27 2021

web walt disney cartoon movie cars cake tutorial music provided by nocopyrightsounds jim yosef eclipse nocopyrightsounds co uk video jim yosef eclipse

3d lightning mcqueen car cake tutorial howtocookthat cakes - Sep 04 2022

web 3d lightning mcqueen cars cake tutorial with how to video and template by mann reardon fondant automobile cake easy stepping by step training annreardon boyscake ann cause

*3d lightning mcqueen cars cake tutorial how to cook that* - Mar 10 2023

web step 1 do ahead of time for your lightning mcqueen cars cake allow approximately 6 hours to make these well i like to make extras of things so i can choose the best one print and cut out cake cutting templates cut cake board out of thick card and cover with alfoil or tape to waterproof

*330 best lightning mcqueen cake ideas pinterest* - Jun 13 2023

web may 10 2018 explore m s board lightning mcqueen cake on pinterest see more ideas about mcqueen cake lightning mcqueen cake car cake

**lightning mcqueen cake template pdf drive pinterest** - May 12 2023

web andria jonah my three year old son loves lightning mcqueen from the disney pixar movie cars i set out for inspiration

online and came across an incredible rendition of a toddler sized lightning mcqueen

**lightning mcqueen cake template pdf templates** - Jul 02 2022

web save save lightning mcqueen cake template for later 0 ratings 0 establish this document useable 0 votes 489 views 1

page lightning mcqueen cake template uploaded by margarida portocarrero full description

[lightning mcqueen template for cake cakecentral com](#) - Apr 11 2023

web sep 29 2014 i looked high and low for instruction on how to make a lightening mcqueen 3d cake i finally sculpted the car free hand no templates 1cakeup posted 12 oct 2011 5 50pm

**12 lightning mcqueen template ideas mcqueen cake pinterest** - Jan 28 2022

web nov 8 2018 explore arlene apacible s board lightning mcqueen template on pinterest see more ideas about mcqueen cake lightning mcqueen cake lightning mcqueen

**mcqueen printables etsy de free printable lightning mcqueen cake** - Oct 05 2022

web free printable lightning mcqueen cake template check away our mcqueen printables selection for the highly best in unique or custom handmade pieces from our digital prints shops

*lightning mcqueen cars cake topper the useless* - Apr 30 2022

web jul 7 2021 in this video i will show you how to set the project up in design space creative fabrica fans cars cake topper design space tutorial lightning mcqueen cake topper cricut watch on in this video i will show you how to assemble the project

**3d lightning mcqueen cake for birthday how to make** - Jul 14 2023

web oct 4 2020 this is a 3d car shaped cake carved out out 2 layers of rectangle cakes measuring 6 inches by 10 inches with a height of approximately 2 inches the cake is decorated in fondant and placed on a cake board that is decorated into a race track design to match the lightning mcqueen cake theme

**lightning mcqueen template for cake cakecentral com disney cars cake** - Feb 09 2023

web oct 8 2011 iodin looked highest and low with instruction on how to make a lightening mcqueen 3d cake i finally sculpted an car free hand don templates nov 20 2017 una feast a tema vehicle así que vamoos a preparar

**cars cake tutorial how to cook that disney lightning mcqueen youtube** - Feb 26 2022

web jul 26 2013 20k share 4 1m views 10 years ago lightning mcqueen cars 3d cake recipe goo gl lx5pk3 subscribe bit ly h2cthat support on patreon patreon com h2ct more more

**3d lightning mcqueen cars cake tutorial howtocookthat cakes** - Jan 08 2023

web 3d lightning mcqueen motor cake tutorial with how to movie and template by annen reardon fondant car cake easy next by step tutorial annreardon boyscake

**howtocookthat cakes dessert chocolate 3d lightning mcqueen** - Aug 03 2022

web step 1 do ahead concerning total for your lightning mcqueen coaches cake allow approximately 6 hours to makes which okay i like to make extras of items so iodin can decide to best ne print and cut out cake cutting templates cut cake board out of thick card furthermore cover with alfoil other taped to waterproof

[coolest lightning mcqueen cake lightning mcqueen cake](#) - Jun 01 2022

web jan 31 2010 coolest lightning mcqueen pastry march 9 2020 january 31 2010 by kirk t january 31 2010 by kirk t

**howtocookthat cakes dessert chocolate 3d lightning mcqueen** - Dec 07 2022

web step 1 done ahead of time to choose lightning mcqueen driving cake allowing approximately 6 hours to make these well i like to make extras of things so i can choose the best one print and cut out cake cutting templates cut cake board out are thick card and hide with alfoil or conveyer to waterproof

**lightning printing template free printable papercraft templates** - Nov 06 2022

web print exit this lightning beautiful template for home and work be creatively also make is paper craft extra special with your own notify remarks decoration or coloring rapid mcqueen cake decals mcqueen cake lightning mcqueen cake lightning mcqueen

**coolest lightning mcqueen cake 65 cars ideas cars birthday** - Mar 30 2022

web jan 31 2010 lightening mcqueen plans mcqueen cake car cake pastry templates the first thing i did was looking on the netto for an image of all the window over the body of lightning mcqueen i stumbled across a forum which where based upon model cars for the cars movie where that board members made their own artistic available the model cars

**lightning mcqueen birthday cake with pictures instructables** - Aug 15 2023

web lightning mcqueen birthday cake here are the steps i took to make this lightning mcqueen cake for a friend i began as 3 1 4 sheets of chocolate cake layered with butter cream icing i found pics of lightning mcqueen on the internet print them cut them out and line the c

*glencoe physical iscience modules waves sound and mcgraw hill* - Sep 17 2023

web glencoe physical iscience modules waves sound and light grade 8 laboratory manual student edition national edition mhid 0078673224 isbn 13 9780078673221

[waves sound and light glencoe science mcgraw hill](#) - Mar 31 2022

web waves sound and light glencoe science by mcgraw hill education isbn 10 0078778409 isbn 13 9780078778407 mcgraw hill glencoe 2007 publisher mcgraw hill glencoe 2007 this specific isbn edition is currently not available view all copies of this isbn edition synopsis about this title

[waves sound and light glencoe science mcgraw hill](#) - Aug 04 2022

web jun 1 2001 publisher mcgraw hill glencoe june 1 2001 language english

**waves sound and light help and review study com** - Feb 27 2022

web the waves sound and light chapter of this high school physics help and review course is the simplest way to master wave properties and behaviors this chapter uses simple and fun videos that are

*waves sound and light glencoe mcgraw hill google books* - Jun 14 2023

web waves sound and light glencoe mcgraw hill glencoe mcgraw hill 2001 science 176 pages from inside the book contents iv 2 chapter 6 16 other sections not shown other editions view all waves sound and light glencoe mcgraw hill snippet view 2001 waves sound and light glencoe mcgraw hill no preview available

waves sound and light glencoe mcgraw hill school pub - Aug 16 2023

web hello sign in account lists returns orders cart

glencoe science waves sound and light student edition - Jul 15 2023

web mar 26 2004 waves sound and light as a part of the glencoe science 15 book series provides students with accurate and comprehensive coverage of the properties of waves sound and light the strong content coverage integrates a wide range of hands on experiences critical thinking opportunities and real world applications

glencoe physical science modules waves sound and light - Mar 11 2023

web mar 23 2007 glencoe science waves sound and light a module in the glencoe science 15 book series provides students with accurate and comprehensive coverage of middle school national science education standards

*waves sound and light glencoe science hardcover* - Dec 08 2022

web waves sound and light glencoe science isbn 10 0078256305 isbn 13 9780078256301 mcgraw hill glencoe 2001 hardcover

glencoe science modules physical science waves sound mcgraw hill - Oct 18 2023

web glencoe science waves sound and light a module in the glencoe science 15 book series provides students with accurate and comprehensive coverage of middle school national science education standards

**waves sound and light glencoe science hardcover amazon in** - Jun 02 2022

web glencoe science waves sound and light a module in the glencoe science 15 book series provides students with accurate and comprehensive coverage of middle school national science education standards

**waves sound and light bookshare** - May 13 2023

web nov 23 2009 synopsis discover the flexibility to teach science your way glencoe science waves sound and light a module in the glencoe science 15 book series provides students with accurate and comprehensive coverage of middle school national science education standards concepts are explained in a clear concise manner and

**glencoe science waves sound and light student edition alibris** - Feb 10 2023

web discover the flexibility to teach science your way waves sound and light as a part of the glencoe science 15 book series provides students with accurate and comprehensive coverage of the properties of waves sound and light

[waves sound and light mcgraw hill glencoe amazon com au](#) - Nov 07 2022

web waves sound and light mcgraw hill glencoe on amazon com au free shipping on eligible orders waves sound and light

**waves sound and light mcgraw hill education** - Sep 05 2022

web hello sign in account lists returns orders cart

**waves sound and light glencoe mcgraw hill google books** - Jan 09 2023

web waves sound and light glencoe mcgraw hill glencoe mcgraw hill 2001 juvenile nonfiction 176 pages 0 reviews reviews aren't verified but google checks for and removes fake content when it's identified from inside the book what people are saying

**glencoe science waves sound and light teacher mcgraw hill** - May 01 2022

web jun 1 2001 publisher mcgraw hill education europe wraparound ed edition june 1 2001 language english

[glencoe science waves sound and light student edition](#) - Oct 06 2022

web glencoe science waves sound and light student edition glen sci sound light by mcgraw hill education isbn 10

0078617766 isbn 13 9780078617768 mcgraw hill education mcgraw hill authors represent the leading experts in their fields and are dedicated to improving the lives careers

*physical science waves sound and light book o* - Apr 12 2023

web you can see into a room that is around a corner because of the refraction of light waves d you can hear sounds from a room you haven't entered because of the diffraction of sound waves 7 the process in which two waves overlap and form a new wave is called need a hint a wave joining b interference c

[glencoe science waves sound and light student edition alibris](#) - Jul 03 2022

web buy glencoe science waves sound and light student edition by mcgraw hill online at alibris we have new and used copies available in 0 edition starting at books by mcgraw hill algebra 1 student edition starting at 4 14 geometry student edition starting at 5 19 glencoe world history starting at 5 37