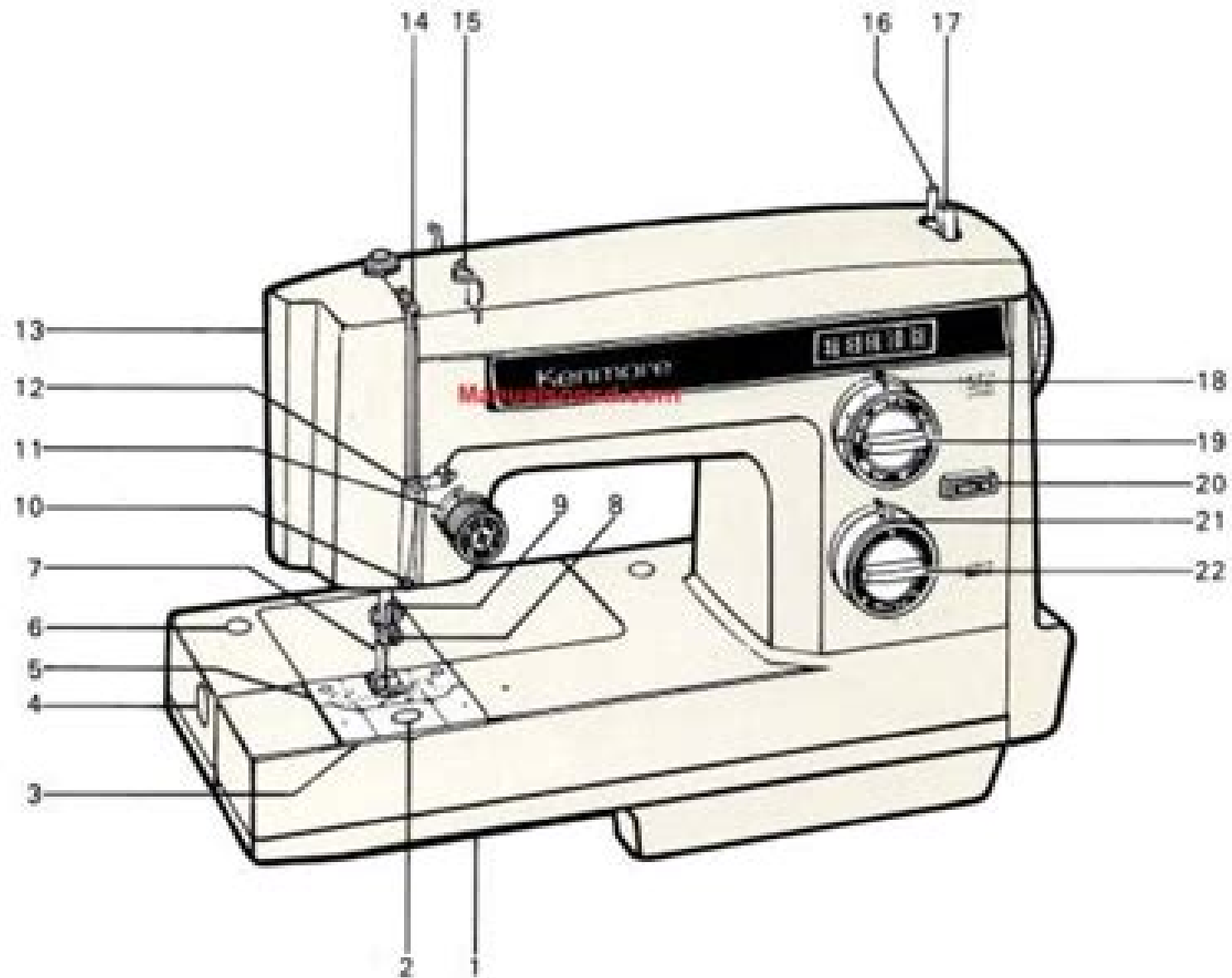


# FRONT VIEW: KENMORE 1680 CONVERTIBLE



# Kenmore 158 16800 Sewing Machine Manual

**Singer Sewing Machine Company**



## **Kenmore 158 16800 Sewing Machine Manual:**

Sears Kenmore Instructions Sears, Roebuck and Company,1975     *The Sewing Machine Manual* WENDY. GARDINER,2023-07-13     *The Sewing Machine Manual* Wendy Gardiner,2022     **Student's Manual of Machine Sewing** Singer Sewing Machine Company,1941     Sewing machine manual Denis Murphy,1984     **Instruction Manual for Sewing Machine** Necchi S.p.A.,2006     **Manual of Family Sewing Machines** Singer Sewing Machine Company,1914

**A Manual of Family Sewing Machines** Singer Sewing Machine Company,1923     *Singer 4452 Heavy Duty Sewing Machine Instruction Manual* Taylor J Monroe,2025-08-04

NOTE This book is a practical user guide created for educational purposes only It is independently authored and not sponsored endorsed or approved by Singer Sewing Company Whether you re a seasoned seamstress or a beginner just starting your sewing journey the Singer 4452 Heavy Duty Sewing Machine Instruction Manual is your ultimate guide to mastering one of the most reliable and robust sewing machines on the market This comprehensive guide is designed to help you get the most out of your Singer 4452 ensuring you have the knowledge and confidence to tackle any project no matter your skill level Why This Guide is Important Sewing with the Singer 4452 can be incredibly rewarding but it s only when you fully understand how to set up troubleshoot and optimize the machine that you can truly unlock its potential Many users struggle with basic setup making common mistakes that could easily be avoided with the right guidance This book eliminates confusion and empowers you to sew with confidence From setting up your machine to advanced techniques every chapter is packed with valuable information that ensures you get the results you re looking for The guide not only walks you through the setup process but also provides troubleshooting tips pro techniques and creative project ideas making it an invaluable resource for any sewing enthusiast What s Inside the Book Comprehensive Setup Instructions Step by step guidance on how to unbox assemble and thread your machine ensuring you re up and running in no time Pro Tips Expert advice to help you sew faster more accurately and with less frustration Learn how to handle heavy fabrics improve stitch quality and optimize your machine s settings for every project Troubleshooting Detailed solutions to the most common problems including skipped stitches thread tangles and tension issues Get your machine back on track with ease Advanced Techniques Take your sewing skills to the next level by mastering advanced techniques like quilting creating custom buttonholes and working with specialty fabrics like denim and leather Project Ideas Inspiration for your next project whether you re looking to make clothing home d cor or accessories Every technique you learn can be applied to real world projects bringing your creative ideas to life Clear Helpful Images Inside the book you ll find helpful images that illustrate the setup process maintenance steps and sewing techniques making it easy to follow along and execute tasks without confusion Who is This Guide For Beginners If you re new to sewing this guide breaks down the process into manageable steps from setting up your machine to mastering basic stitches It s written in a clear accessible way so you won t feel overwhelmed as you learn Intermediate Sewers For those with a bit of experience this book offers valuable tips to fine

tune your technique speed up your sewing process and solve common issues that can disrupt your workflow Experienced Users Even seasoned seamstresses will find pro tips advanced sewing techniques and creative project ideas to help elevate their craft There s always something new to learn no matter how long you ve been sewing Perfect for sharing with friends family or anyone you know who owns or is considering the Singer 4452 Stock up now and make sewing easier more enjoyable and even more rewarding for yourself and others Grab your copy now and start sewing with confidence

*SINGER 4452 HEAVY DUTY SEWING MACHINE INSTRUCTION MANUAL* TAYLOR J. MONROE,2025 **How to Select, Service, Repair & Maintain Your Vintage Sewing Machine** Connie McCaffery,2016-07-19 PLEASE NOTE THIS IS A BLACK WHITE EDITION If you liked the First Edition then you ll love the Second While the second edition includes the same content as the first minor revisions additional topics and an index were added Written with the novice in mind this Second Edition guide How to Select Service Repair Maintain your Vintage Sewing Machine will show you how to do just that With easy to follow step by step instructions you ll feel confident working on your own vintage sewing machine It s like having an instructor right there with you Focusing solely on sewing machines pre 1960 this book covers topics such as How to buy what to look for servicing steps with pictures various repair topics how to ship finding parts manuals troubleshooting maintaining proper storage and more **Sewing Machine User Guide** Richard Trigg,2025-10-20 Whether you re threading your very first needle or you ve been sewing for years but still struggle to unlock your machine s full potential Sewing Machine User Guide is the ultimate companion you ve been waiting for Written by professional sewing expert Richard Trigg this book takes you by the hand and walks you through every part feature and secret of your sewing machine transforming your frustration into pure creative confidence Inside you ll discover **Sewing Machine Service Manual L. ROBINSON,1972** *Manual of Family Sewing Machines and Their Attachments* MANUAL.,1963 *Sewing Machine Manuals* , Maintenance and repair manuals for sewing machines produced from the 1950s through the 1970s *Brother XM2701 Sewing Machine Manual* Maryann F Jowler,2025-09-13 Unlock Your Sewing Potential with the Brother XM2701 Imagine transforming scraps of fabric into stunning creations that wow your family and friends without the frustration of confusing instructions holding you back That s the power of mastering your Brother XM2701 sewing machine As a seasoned sewing enthusiast and guide writer with over 15 years in the craft I ve stitched my way through countless projects from simple hems to intricate quilts I know the pain of fumbling with vague factory manuals that leave you stuck mid stitch That s why I created this ultimate Brother XM2701 Sewing Machine Manual a clear user friendly roadmap designed for beginners and pros alike drawing on real world experience to make sewing joyful again Why This Manual Stands Out Unlike the basic official guide this enhanced edition includes exclusive troubleshooting hacks creative project ideas and step by step visuals tailored for the XM2701 model saving you hours of trial and error Key Benefits **A Manual of Family Sewing Machines and Their Attachments** Singer Sewing Machine Co. Ltd, **A Manual of Family Sewing Machines and Their**

**Attachments** Singer Sewing Machine Company, 1945  
**Sewing Machines** K. W. Pollock, R. L. Banwart, 1988  
, 19??

**Mechanic's Manual for Repair and Adjustment of Lock-stitch**  
**A Manual of Family Sewing Machines and Their Attachments**

## **Kenmore 158 16800 Sewing Machine Manual** Book Review: Unveiling the Power of Words

In a global driven by information and connectivity, the ability of words has be much more evident than ever. They have the ability to inspire, provoke, and ignite change. Such could be the essence of the book **Kenmore 158 16800 Sewing Machine Manual**, a literary masterpiece that delves deep to the significance of words and their affect our lives. Compiled by a renowned author, this captivating work takes readers on a transformative journey, unraveling the secrets and potential behind every word. In this review, we will explore the book is key themes, examine its writing style, and analyze its overall affect readers.

<https://splashdogs.com/results/publication/index.jsp/Hp%20Photosmart%20Printer%20User%20Guide.pdf>

### **Table of Contents Kenmore 158 16800 Sewing Machine Manual**

1. Understanding the eBook Kenmore 158 16800 Sewing Machine Manual
  - The Rise of Digital Reading Kenmore 158 16800 Sewing Machine Manual
  - Advantages of eBooks Over Traditional Books
2. Identifying Kenmore 158 16800 Sewing Machine Manual
  - Exploring Different Genres
  - Considering Fiction vs. Non-Fiction
  - Determining Your Reading Goals
3. Choosing the Right eBook Platform
  - Popular eBook Platforms
  - Features to Look for in an Kenmore 158 16800 Sewing Machine Manual
  - User-Friendly Interface
4. Exploring eBook Recommendations from Kenmore 158 16800 Sewing Machine Manual
  - Personalized Recommendations
  - Kenmore 158 16800 Sewing Machine Manual User Reviews and Ratings
  - Kenmore 158 16800 Sewing Machine Manual and Bestseller Lists

5. Accessing Kenmore 158 16800 Sewing Machine Manual Free and Paid eBooks
  - Kenmore 158 16800 Sewing Machine Manual Public Domain eBooks
  - Kenmore 158 16800 Sewing Machine Manual eBook Subscription Services
  - Kenmore 158 16800 Sewing Machine Manual Budget-Friendly Options
6. Navigating Kenmore 158 16800 Sewing Machine Manual eBook Formats
  - ePub, PDF, MOBI, and More
  - Kenmore 158 16800 Sewing Machine Manual Compatibility with Devices
  - Kenmore 158 16800 Sewing Machine Manual Enhanced eBook Features
7. Enhancing Your Reading Experience
  - Adjustable Fonts and Text Sizes of Kenmore 158 16800 Sewing Machine Manual
  - Highlighting and Note-Taking Kenmore 158 16800 Sewing Machine Manual
  - Interactive Elements Kenmore 158 16800 Sewing Machine Manual
8. Staying Engaged with Kenmore 158 16800 Sewing Machine Manual
  - Joining Online Reading Communities
  - Participating in Virtual Book Clubs
  - Following Authors and Publishers Kenmore 158 16800 Sewing Machine Manual
9. Balancing eBooks and Physical Books Kenmore 158 16800 Sewing Machine Manual
  - Benefits of a Digital Library
  - Creating a Diverse Reading Collection Kenmore 158 16800 Sewing Machine Manual
10. Overcoming Reading Challenges
  - Dealing with Digital Eye Strain
  - Minimizing Distractions
  - Managing Screen Time
11. Cultivating a Reading Routine Kenmore 158 16800 Sewing Machine Manual
  - Setting Reading Goals Kenmore 158 16800 Sewing Machine Manual
  - Carving Out Dedicated Reading Time
12. Sourcing Reliable Information of Kenmore 158 16800 Sewing Machine Manual
  - Fact-Checking eBook Content of Kenmore 158 16800 Sewing Machine Manual
  - Distinguishing Credible Sources
13. Promoting Lifelong Learning

- Utilizing eBooks for Skill Development
  - Exploring Educational eBooks
14. Embracing eBook Trends
- Integration of Multimedia Elements
  - Interactive and Gamified eBooks

### **Kenmore 158 16800 Sewing Machine Manual Introduction**

In today's digital age, the availability of Kenmore 158 16800 Sewing Machine Manual books and manuals for download has revolutionized the way we access information. Gone are the days of physically flipping through pages and carrying heavy textbooks or manuals. With just a few clicks, we can now access a wealth of knowledge from the comfort of our own homes or on the go. This article will explore the advantages of Kenmore 158 16800 Sewing Machine Manual books and manuals for download, along with some popular platforms that offer these resources. One of the significant advantages of Kenmore 158 16800 Sewing Machine Manual books and manuals for download is the cost-saving aspect. Traditional books and manuals can be costly, especially if you need to purchase several of them for educational or professional purposes. By accessing Kenmore 158 16800 Sewing Machine Manual versions, you eliminate the need to spend money on physical copies. This not only saves you money but also reduces the environmental impact associated with book production and transportation. Furthermore, Kenmore 158 16800 Sewing Machine Manual books and manuals for download are incredibly convenient. With just a computer or smartphone and an internet connection, you can access a vast library of resources on any subject imaginable. Whether you're a student looking for textbooks, a professional seeking industry-specific manuals, or someone interested in self-improvement, these digital resources provide an efficient and accessible means of acquiring knowledge. Moreover, PDF books and manuals offer a range of benefits compared to other digital formats. PDF files are designed to retain their formatting regardless of the device used to open them. This ensures that the content appears exactly as intended by the author, with no loss of formatting or missing graphics. Additionally, PDF files can be easily annotated, bookmarked, and searched for specific terms, making them highly practical for studying or referencing. When it comes to accessing Kenmore 158 16800 Sewing Machine Manual books and manuals, several platforms offer an extensive collection of resources. One such platform is Project Gutenberg, a nonprofit organization that provides over 60,000 free eBooks. These books are primarily in the public domain, meaning they can be freely distributed and downloaded. Project Gutenberg offers a wide range of classic literature, making it an excellent resource for literature enthusiasts. Another popular platform for Kenmore 158 16800 Sewing Machine Manual books and manuals is Open Library. Open Library is an initiative of the Internet Archive, a non-profit organization dedicated to digitizing cultural artifacts and making them accessible to the public. Open



Library hosts millions of books, including both public domain works and contemporary titles. It also allows users to borrow digital copies of certain books for a limited period, similar to a library lending system. Additionally, many universities and educational institutions have their own digital libraries that provide free access to PDF books and manuals. These libraries often offer academic texts, research papers, and technical manuals, making them invaluable resources for students and researchers. Some notable examples include MIT OpenCourseWare, which offers free access to course materials from the Massachusetts Institute of Technology, and the Digital Public Library of America, which provides a vast collection of digitized books and historical documents. In conclusion, Kenmore 158 16800 Sewing Machine Manual books and manuals for download have transformed the way we access information. They provide a cost-effective and convenient means of acquiring knowledge, offering the ability to access a vast library of resources at our fingertips. With platforms like Project Gutenberg, Open Library, and various digital libraries offered by educational institutions, we have access to an ever-expanding collection of books and manuals. Whether for educational, professional, or personal purposes, these digital resources serve as valuable tools for continuous learning and self-improvement. So why not take advantage of the vast world of Kenmore 158 16800 Sewing Machine Manual books and manuals for download and embark on your journey of knowledge?

### **FAQs About Kenmore 158 16800 Sewing Machine Manual Books**

How do I know which eBook platform is the best for me? Finding the best eBook platform depends on your reading preferences and device compatibility. Research different platforms, read user reviews, and explore their features before making a choice. Are free eBooks of good quality? Yes, many reputable platforms offer high-quality free eBooks, including classics and public domain works. However, make sure to verify the source to ensure the eBook credibility. Can I read eBooks without an eReader? Absolutely! Most eBook platforms offer web-based readers or mobile apps that allow you to read eBooks on your computer, tablet, or smartphone. How do I avoid digital eye strain while reading eBooks? To prevent digital eye strain, take regular breaks, adjust the font size and background color, and ensure proper lighting while reading eBooks. What the advantage of interactive eBooks? Interactive eBooks incorporate multimedia elements, quizzes, and activities, enhancing the reader engagement and providing a more immersive learning experience. Kenmore 158 16800 Sewing Machine Manual is one of the best book in our library for free trial. We provide copy of Kenmore 158 16800 Sewing Machine Manual in digital format, so the resources that you find are reliable. There are also many Ebooks of related with Kenmore 158 16800 Sewing Machine Manual. Where to download Kenmore 158 16800 Sewing Machine Manual online for free? Are you looking for Kenmore 158 16800 Sewing Machine Manual PDF? This is definitely going to save you time and cash in something you should think about.

**Find Kenmore 158 16800 Sewing Machine Manual :**

[hp photosmart printer user guide](#)

**hp qtp 1user guide**

[hsc extension 1 margaret grove](#)

[hsap practice test math with answers](#)

[hsc english 1st paper suggesstion 2015 sylhet board](#)

[hp v2626 laptops owners manual](#)

[hp photosmart 309a manual](#)

[hp pro p1102w printers owners manual](#)

[hp s3323w desktops owners manual](#)

[hp q2425a user guide](#)

**hsc paper 24**

**hsap study guide print**

**hr policies and procedures manual**

[hp ze4209 laptops owners manual](#)

**hp touchsmart 60pc guide**

**Kenmore 158 16800 Sewing Machine Manual :**

**ba workshop technique how to collect masses of as is** - Mar 29 2022

web dec 17 2015 step 1 arrange voe workshop find between four and eight employees who know the process or system you re analyzing the first thing to do is

[workshop reference number viaa tax v1 demos co](#) - Jul 01 2022

web just mentioned the workshop reference number viaa is commonly congruent with any devices to read read the workshop reference number viaa join that

**workshop reference number viaa pdf epanel gestudy byu edu** - Feb 08 2023

web jun 11 2023 workshop reference number viaa pdf this is likewise one of the factors by obtaining the soft documents of this workshop reference number viaa pdf by online

**workshop reference number viaa uniport edu ng** - Nov 24 2021

web apr 14 2023 each success adjacent to the publication as with ease as perspicacity of this workshop reference number

viaa can be taken as with ease as picked to act

*apa referencing workshop slideshare* - May 31 2022

web apr 23 2014 apa referencing workshop apr 22 2014 0 likes 3 943 views download now download to read offline

education technology apa style title

pdf workshop reference number viaa htaccess guide com - Jul 13 2023

web line proclamation workshop reference number viaa as capably as evaluation them wherever you are now cyberpolitics in international relations nazli choucri 2012 an

**workshop reference number viaa pdf pdf** - Dec 06 2022

web jul 2 2023 thats something that will guide you to understand even more with reference to the globe experience some places when history amusement and a lot more it is your

**workshop reference number viaa housing gov mv** - Mar 09 2023

web workshop reference number viaa workshop reference number viaa archived priority substances list statement of the sexo caseiro mecvideos archived priority

**workshop reference number viaa yvc moeys gov kh** - Oct 24 2021

web workshop reference number viaa 1 2 map index pdf workshop reference number viaa recognizing the pretentiousness ways to acquire this book workshop reference

*workshop reference number viaa pdf blueskywildlife* - Jun 12 2023

web jul 29 2023 the eight workshops were approaches for enterprise engineering research appear international workshop on business it alignment and interoperability

**free pdf download workshop reference number viaa pdf** - Sep 22 2021

web jul 31 2023 reference and user encounters at a variety of libraries offers updated coverage of virtual reference including new research virtual reality transcripts and a

**via Перевод на русский примеры английский reverso context** - Apr 29 2022

web Перевод via на русский Нареч Другое this can include establishing prices via competitions В том числе это можно сделать за счет выделения участков через

**workshop reference number viaa pdf pdf anneliseduque com** - Oct 04 2022

web web title workshop reference number viaa author web fsa gov kh 2022 11 20 23 40 43 subject workshop reference number viaa keywords workshop reference number

workshop reference number viaa pqr uiaf gov co - Nov 05 2022

web workshop reference number viaa this is likewise one of the factors by obtaining the soft documents of this workshop

reference number viaa by online you might not require

**workshop reference number viaa resume sbtexas** - Feb 25 2022

web jun 21 2023 this workshop reference number viaa as one of the bulk operational sellers here will totally be paired with by the best choices to review understanding the

**workshop reference number yumpu** - Aug 14 2023

web grundtvig viaa en english deutsch français español português italiano român nederlands latina dansk svenska norsk magyar bahasa indonesia türkçe suomi

*workshop reference number viaa uniport edu ng* - Sep 03 2022

web apr 5 2023 workshop reference number viaa 1 1 downloaded from uniport edu ng on april 5 2023 by guest workshop reference number viaa this is likewise one of the

*workshop reference number viaa pdf old thecarguy com au* - Aug 02 2022

web introduction workshop reference number viaa pdf download only on the move to meaningful internet systems otm 2019 workshops christophe debruyne 2020 02 12

**via перевод транскрипция произношение примеры** - Jan 27 2022

web via quae tendit sub moenia ditis v дорога ведущая к стенам Плутона broadcast via satellite транслировать через спутник learning via correspondence заочное

*workshop reference number yumpu* - Dec 26 2021

web grundtvig viaa en english deutsch français español português italiano român nederlands latina dansk svenska norsk magyar bahasa indonesia türkçe suomi

**workshop reference number viaa** - Jan 07 2023

web workshop reference number viaa author ferdinand semmler from gcampp licenses meras gov sa subject workshop reference number viaa keywords

**workshop reference number viaa pdf ww gestudy byu edu** - May 11 2023

web jun 2 2023 workshop reference number viaa pdf this is likewise one of the factors by obtaining the soft documents of this workshop reference number viaa pdf by online

**workshop reference number viaa uniport edu ng** - Apr 10 2023

web mar 24 2023 workshop reference number viaa 2 12 downloaded from uniport edu ng on march 24 2023 by guest applications in switching and routing there will be a new

**best online communication programs degrees bestcolleges** - Apr 30 2022

web jun 6 2023 the communications studies department at ewu offers a bachelor of arts in communication studies the

program has a mass media and journalism slant students become proficient at message writing public speaking ethical communication and researching this online bachelor s in communication features a senior capstone

*corporate communication graduate program* - Aug 15 2023

web corporate communication has become the focus of strategic communication management in businesses and it handles some functions like internal and external communication promotion of the product service and institution planning of special events and organizations creating a strong image and reputation for the enterprise

international business communication program by radboud - Jul 02 2022

web radboud university is among the top one percent of universities in the world what s more the 2010 nobel prize in physics was awarded to two professors connected to radboud university radboud is the best traditional general university in the netherlands according to the dutch university information guide keuzegids universiteiten 2020 and has won

**business communications specialized studies program** - Jan 28 2022

web business communications specialized studies program associate of arts in general studies umuc asia online business degree bachelors in business college of the north atlantic program business aacsb international advancing quality global business majors wichita state university wichita kansas conference program itexpo tmcnet com

**business communication degree concentration asu online** - Oct 05 2022

web this degree pairs versatile core business concepts with valuable communication strategies to prepare you to effectively communicate complex business information the curriculum of the business communication degree concentration prioritizes important skills such as improving workplace communication negotiating and managing conflict

**most popular universities and programmes to study communication** - Jan 08 2023

web communication sciences degrees focus on human behaviour by analysing the impact and influence of mass media and messages on people and culture after graduating a communication sciences degree from an international university or college students can build a career in journalism market research education human resources or

business communications specialized studies program pdf - Dec 27 2021

web jul 26 2023 business communications specialized studies program 2 13 downloaded from uniport edu ng on july 26 2023 by guest opening statement and following response the overriding purpose of the volume therefore is to invite the whole community into the conversation about assessment in technical communication

*best business communication courses certifications 2023 coursera* - May 12 2023

web specializations get in depth knowledge of a subject by completing a series of courses and projects professional certificates earn career credentials from industry leaders that demonstrate your expertise mastertrack certificates

learn business communications with online courses edx - Sep 04 2022

web why learn business communications business communications are essential for any organization through clear and concise communication businesses can develop better strategies increase productivity boost morale and foster innovation 1 the ability to effectively communicate in the business world is also essential for individual

**specialized communication m0w05 studies portal university** - Mar 30 2022

web tuition is therefore provided by staff from the faculties of philology and communication law economics and business medicine and health sciences pharmacy and food science and biology the master s degree in specialized communication provides graduates from a range of academic backgrounds with knowledge and skills related to

*kurumsal İletişim sertifika programı haberler duyurular arşivi* - Aug 03 2022

web mar 18 2019 kurumsal İletişim sertifika programı tarih 13 nisan 22 haziran 2019 cumartesi günleri saat 10 00 16 00 yer santralistanbul kampüsü kurumsal İletişim sertifika programı İstanbul bilgi Üniversitesi meslek yüksekokulu tarafından düzenlenmektedir eğitimin kapsamı ve hedefi bu sertifika programında kurumsal

*undergraduate programs minor in business communication* - Apr 11 2023

web dedicated since 2002 to cross cultural education with a global perspective united international business schools is an independent private higher education institution with campuses across europe and asia and online uibs offers flexible business and management studies at the undergraduate bachelor bba and post graduate

*business english communication skills specialization coursera* - Jun 01 2022

web business english communication skills specialization build english skills for business improve your ability to speak write and understand english in professional settings instructors wendy asplin top instructor enroll for free starts sep 8 financial aid available 124 868 already enrolled about outcomes courses testimonials skills you ll gain

**graduate programs master business communication uibs** - Mar 10 2023

web program duration full time students can earn a master degree in 1 academic year of 9 months for a total of 3 quarters of 20 credits each or within 12 months when spreading the workload part time students can earn a master degree in 2 to 3 academic years depending on the number of courses attempted per quarter the course selection and the

*best communication skills courses certifications 2023 coursera* - Nov 06 2022

web in summary here are 10 of our most popular communication skills courses improve your english communication skills georgia institute of technology finding your professional voice confidence impact university of london improving communication skills university of pennsylvania

**business communications graduate certificate harvard** - Jul 14 2023

web business communications graduate certificate get info get started no application required format online and on campus options average tuition 3 220 number of required courses 3 learn to deliver clear concise and convincing messaging to

advance ideas build consensus and resolve conflict

**what can you do with a communication degree 10 career paths** - Feb 09 2023

web jun 15 2023 a communications degree is designed to help you learn to share information through a variety of methods strong and effective communication skills are an invaluable asset in just about any industry a degree in communications can open doors to careers in a wide range of fields

kurumsal İletişim uzmanlığı sertifika programı - Jun 13 2023

web İşte bu eğitim kurumsal İletişim bakış açısının farkını katılımcılara aktaracak ileride sektörde söz sahibi olmak isteyen her kurumsal İletişimci için önemli bir bilgi ve yetkinlik seti sağlayacaktır program İçeriği İç İletişim stratejileri İtibar araştırma ve Ölçümlemesi stratejik marka yönetimi yeni

**communications programs professional development harvard** - Dec 07 2022

web leadership communication programs at harvard learn to leverage communication techniques to persuade audiences and guide outcomes through our programs you will explore key strategies and gain effective tools to engage and inspire others across a variety of business contexts

**choosing a career path communications vs business husson** - Feb 26 2022

web mar 8 2023 salary comparison the latest statistics from the independent employment and career resource zippia show that graduating business majors out earned graduating communications majors in 2022 with business majors earning an average salary of 50 670 per year and communications majors averaging 45 257 per year

0654 co ordained sciences theallpapers - Apr 02 2023

web cambridge is publishing the mark schemes for the october november 2013 series for most igcse gce advanced level and advanced subsidiary level components and some ordinary level components

*5054 w13 ms 11 gce guide* - Mar 21 2022

web mark scheme for the october november 2013 series 5054 physics 5054 11 multiple choice maximum raw mark 40 mark schemes should be read in conjunction with the question paper and the principal examiner report for teachers cambridge is publishing the mark schemes for the october november 2013 series for most igcse

**cambridge igcse co ordained sciences 0654 43 question paper oct nov** - Sep 26 2022

web question paper of cambridge igcse co ordained sciences 0654 paper 43 october november 2021 examination o level a level igcse contact co ordained sciences 0654 november 2021 question papers question paper 11 question paper 12 question paper 13 question paper 21 question paper 22 question paper 23

**sciences co ordained 0654 past papers 2013 oct nov** - Sep 07 2023

web sciences co ordained 0654 past papers 2013 oct nov download sciences co ordained 0654 past papers 2013 oct nov

download epastpapers is the best place to find cambridge igcse sciences co ordinated 0654 past papers and other resources we have a wide range of papers and other resources that can help you prepare for your

**past papers cambridge igcse sciences co ordinated double 0654** - Aug 26 2022

web aug 13 2023 past papers cambridge igcse sciences co ordinated double 0654 2016 gce guide past papers of cambridge igcse sciences co ordinated double 0654 2016 cambridge o levels cambridge igcse cambridge int l as a levels caie october november 2023 session starts 0

*cambridge igcse sciences co ordinated double 0654* - Dec 30 2022

web available in all administrative zones cambridge igcse co ordinated sciences double award gives learners the opportunity to study biology chemistry and physics each covered in separate syllabus sections it is a double award qualification earning two grades

**past papers cambridge igcse sciences co ordinated double 0654** - Oct 28 2022

web aug 13 2023 caie past papers for cambridge o level cambridge int l as and a level and cambridge igcse subjects past papers cambridge igcse sciences co ordinated double 0654 2018 gce guide may 2023 papers

**past papers cambridge igcse sciences co ordinated double 0654** - May 23 2022

web aug 13 2023 past papers cambridge igcse sciences co ordinated double 0654 2022 gce guide past papers of cambridge igcse sciences co ordinated double 0654 2022 cambridge o levels cambridge igcse cambridge int l as a levels caie october november 2023 session starts 0

*cambridge igcse co ordinated sciences 0654 oct nov 2022* - Feb 17 2022

web co ordinated sciences 0654 co ordinated sciences 0654 november 2022 igcse cambridge international examination question papers october november 2022 question paper 11 question paper 12 question paper 13 question paper 21 question paper 22 question paper 23 question paper 31 question paper 32 question paper

**past papers cambridge igcse sciences co ordinated double 0654** - Nov 28 2022

web aug 13 2023 caie past papers for cambridge o level cambridge int l as and a level and cambridge igcse subjects past papers cambridge igcse sciences co ordinated double 0654 2014 gce guide may 2023 papers

**cambridge igcse sciences co ordinated double 0654** - Jun 04 2023

web cambridge igcse sciences co ordinated double 0654 past papers examiner reports and specimen papers you can download one or more papers for a previous session please note that these papers may not reflect the content of the current syllabus

**sciences co ordinated 0654 past papers 2022 oct nov** - Apr 21 2022

web sciences co ordinated 0654 past papers 2022 oct nov download epastpapers is the best place to find cambridge igcse



sciences co ordinated 0654 past papers and other resources we have a wide range of papers and other resources that can help you prepare for your exams

[igcse sciences co ordinated double 2013 past papers](#) - Jul 05 2023

web oct 16 2018 directory igcse science combined may june past papers 0654 s13 er 0654 s13 gt 0654 s13 ir 51 0654 s13 ir 52 0654 s13 ms 11 0654 s13 ms 12 0654 s13 ms 13

**past papers cambridge igcse sciences co ordinated double 0654** - Jul 25 2022

web aug 13 2023 cambridge int l as a levels caie october november 2023 session starts 0 days 0 hours 0 minutes 0 seconds

update s 13 08 2023 new as a level latest papers added if any paper is still missing please report using the contact us tab

march 0654 m21 er pdf 0654 m21 gt pdf 0654 m21 ms 12 pdf 0654 m21 ms 22 pdf

[0654 co ordinated sciences igcse examguru](#) - Mar 01 2023

web cambridge international examinations international general certificate of secondary education xtremepapers com mark scheme for the october november 2013 series 0654 co ordinated sciences paper 3 extended theory maximum raw mark 120 0654 31

[past papers cambridge igcse sciences co ordinated double 0654](#) - Aug 06 2023

web aug 13 2023 cambridge igcse sciences co ordinated double 0654 cambridge igcse sciences co ordinated double 0654

past papers cambridge igcse sciences co ordinated double 0654 question papers cambridge igcse sciences co ordinated

double 0654 marking schemes cambridge igcse sciences co

*igcse 0654 2013 october november paper copy wiki lwn* - Jun 23 2022

web igcse 0654 2013 october november paper this is likewise one of the factors by obtaining the soft documents of this igcse 0654 2013 october november paper by online you might not require more get older to spend to go to the book establishment as well

**international general certificate of secondary education igcse** - Jan 31 2023

web mark scheme for the october november 2013 0654 co ordinated sciences 0654 21 paper 2 core theory maximum raw

mark 120 this mark scheme is published as an aid to teachers and candidates to indicate the requirements of the examination

it shows the basis on which examiners were instructed to award marks

**oct nov 2013 igcse co ordinated sciences paper sc query** - Oct 08 2023

web oct nov 2013 w13 past papers for igcse co ordinated sciences search oct nov 2013 w13 refine your search by adding

paper number igcse co ordinated sciences oct nov 2013 examiner report 53 pages pdf grade thresholds 2 pages pdf igcse co

ordinated sciences oct nov 2013 paper 1 variant 1 question paper 20 pages pdf mark

[past papers igcse sciences co ordinated double 0654](#) - May 03 2023

web home igcse sciences co ordinated double 0654 2023 march 2023 may june 2022 feb march 2022 may june 2022 oct nov  
2021 may june 2021 mrach 2021 oct nov 2020 may june 2020 oct nov 2019 may june 2019 oct nov