



OM-405

104 2007

June 2007

Processes



Stick (SMAW) Welding



MIG (Gas Metal Arc) Welding
Flux-Cored (FCAW) Welding



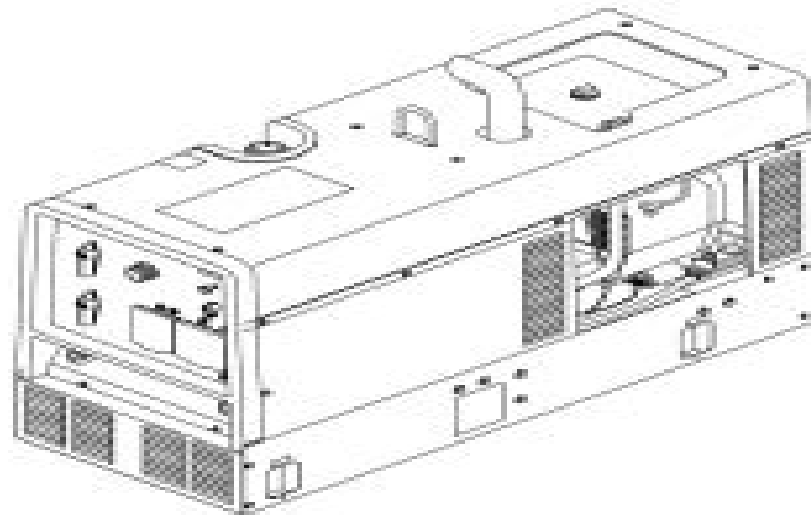
Non-Critical TIG (GTAW)
Welding

Description



Engine Driven Welding Generator

Bobcat™ 225 NT



OWNER'S MANUAL



Visit our website at
www.MillerWelds.com

Kohler Bobcat 225 Manual

**Equipment Company. Clark Melroe
Division Clark**

Kohler Bobcat 225 Manual:

ENR ,1998 **October 2022 - Surplus Record Machinery & Equipment Directory** Surplus Record,2022-10-01
SURPLUS RECORD is the leading independent business directory of new and used capital equipment machine tools
machinery and industrial equipment listing over 100 000 industrial assets including metalworking and fabricating machine
tools chemical and process equipment cranes air compressors pumps motors circuit breakers generators transformers
turbines and more Over 1 100 businesses list with the SURPLUS RECORD October 2022 issue Vol 99 No 10 *Farmers and
Consumers Market Bulletin* ,2011 Welding Journal ,2009 **American city** ,1961-10 Outdoor Life ,1941
Whitaker's Books in Print ,1998 Books in Print ,1977 *Bobcat 843 Operator's Manual* company Melroe,
Bobcat 641, 642, 643 Clark Equipment Company. Clark Melroe Division,1981 **Bobcat 641** ,1981 Bobcat 543
,1983* **Bobcat 641, 642, 643** Clark Equipment Company. Clark Melroe Division,1986 *843 Service Manual* Clark
Equipment Company. Melroe Division,1982 *Clark 700 Series Heavy Duty Bobcat Service Manual* ,1982* **Bobcat 453**
(SN 515011001 & Up) Service Manual Melroe/Ingersoll-Rand,1997 *Bobcat 741, 742, 742B, 743, 743B, 743DS Service*
Manual ,1992* **Bobcat 543** Equipment Company. Clark Melroe Division Clark,1983* Melroe Bobcat Service Manual
Clark Equipment Company. Melroe Division,1972

Immerse yourself in the artistry of words with Crafted by is expressive creation, Immerse Yourself in **Kohler Bobcat 225 Manual** . This ebook, presented in a PDF format (Download in PDF: *), is a masterpiece that goes beyond conventional storytelling. Indulge your senses in prose, poetry, and knowledge. Download now to let the beauty of literature and artistry envelop your mind in a unique and expressive way.

<https://splashdogs.com/public/scholarship/Documents/haynes%20manual%2097%20chevy%20geo%20tracker.pdf>

Table of Contents Kohler Bobcat 225 Manual

1. Understanding the eBook Kohler Bobcat 225 Manual
 - The Rise of Digital Reading Kohler Bobcat 225 Manual
 - Advantages of eBooks Over Traditional Books
2. Identifying Kohler Bobcat 225 Manual
 - Exploring Different Genres
 - Considering Fiction vs. Non-Fiction
 - Determining Your Reading Goals
3. Choosing the Right eBook Platform
 - Popular eBook Platforms
 - Features to Look for in an Kohler Bobcat 225 Manual
 - User-Friendly Interface
4. Exploring eBook Recommendations from Kohler Bobcat 225 Manual
 - Personalized Recommendations
 - Kohler Bobcat 225 Manual User Reviews and Ratings
 - Kohler Bobcat 225 Manual and Bestseller Lists
5. Accessing Kohler Bobcat 225 Manual Free and Paid eBooks
 - Kohler Bobcat 225 Manual Public Domain eBooks
 - Kohler Bobcat 225 Manual eBook Subscription Services
 - Kohler Bobcat 225 Manual Budget-Friendly Options

6. Navigating Kohler Bobcat 225 Manual eBook Formats
 - ePub, PDF, MOBI, and More
 - Kohler Bobcat 225 Manual Compatibility with Devices
 - Kohler Bobcat 225 Manual Enhanced eBook Features
7. Enhancing Your Reading Experience
 - Adjustable Fonts and Text Sizes of Kohler Bobcat 225 Manual
 - Highlighting and Note-Taking Kohler Bobcat 225 Manual
 - Interactive Elements Kohler Bobcat 225 Manual
8. Staying Engaged with Kohler Bobcat 225 Manual
 - Joining Online Reading Communities
 - Participating in Virtual Book Clubs
 - Following Authors and Publishers Kohler Bobcat 225 Manual
9. Balancing eBooks and Physical Books Kohler Bobcat 225 Manual
 - Benefits of a Digital Library
 - Creating a Diverse Reading Collection Kohler Bobcat 225 Manual
10. Overcoming Reading Challenges
 - Dealing with Digital Eye Strain
 - Minimizing Distractions
 - Managing Screen Time
11. Cultivating a Reading Routine Kohler Bobcat 225 Manual
 - Setting Reading Goals Kohler Bobcat 225 Manual
 - Carving Out Dedicated Reading Time
12. Sourcing Reliable Information of Kohler Bobcat 225 Manual
 - Fact-Checking eBook Content of Kohler Bobcat 225 Manual
 - Distinguishing Credible Sources
13. Promoting Lifelong Learning
 - Utilizing eBooks for Skill Development
 - Exploring Educational eBooks
14. Embracing eBook Trends
 - Integration of Multimedia Elements

- Interactive and Gamified eBooks

Kohler Bobcat 225 Manual Introduction

Free PDF Books and Manuals for Download: Unlocking Knowledge at Your Fingertips In today's fast-paced digital age, obtaining valuable knowledge has become easier than ever. Thanks to the internet, a vast array of books and manuals are now available for free download in PDF format. Whether you are a student, professional, or simply an avid reader, this treasure trove of downloadable resources offers a wealth of information, conveniently accessible anytime, anywhere. The advent of online libraries and platforms dedicated to sharing knowledge has revolutionized the way we consume information. No longer confined to physical libraries or bookstores, readers can now access an extensive collection of digital books and manuals with just a few clicks. These resources, available in PDF, Microsoft Word, and PowerPoint formats, cater to a wide range of interests, including literature, technology, science, history, and much more. One notable platform where you can explore and download free Kohler Bobcat 225 Manual PDF books and manuals is the internet's largest free library. Hosted online, this catalog compiles a vast assortment of documents, making it a veritable goldmine of knowledge. With its easy-to-use website interface and customizable PDF generator, this platform offers a user-friendly experience, allowing individuals to effortlessly navigate and access the information they seek. The availability of free PDF books and manuals on this platform demonstrates its commitment to democratizing education and empowering individuals with the tools needed to succeed in their chosen fields. It allows anyone, regardless of their background or financial limitations, to expand their horizons and gain insights from experts in various disciplines. One of the most significant advantages of downloading PDF books and manuals lies in their portability. Unlike physical copies, digital books can be stored and carried on a single device, such as a tablet or smartphone, saving valuable space and weight. This convenience makes it possible for readers to have their entire library at their fingertips, whether they are commuting, traveling, or simply enjoying a lazy afternoon at home. Additionally, digital files are easily searchable, enabling readers to locate specific information within seconds. With a few keystrokes, users can search for keywords, topics, or phrases, making research and finding relevant information a breeze. This efficiency saves time and effort, streamlining the learning process and allowing individuals to focus on extracting the information they need. Furthermore, the availability of free PDF books and manuals fosters a culture of continuous learning. By removing financial barriers, more people can access educational resources and pursue lifelong learning, contributing to personal growth and professional development. This democratization of knowledge promotes intellectual curiosity and empowers individuals to become lifelong learners, promoting progress and innovation in various fields. It is worth noting that while accessing free Kohler Bobcat 225 Manual PDF books and manuals is convenient and cost-effective, it is vital to respect copyright laws and intellectual property rights. Platforms offering free downloads often operate within legal boundaries,

ensuring that the materials they provide are either in the public domain or authorized for distribution. By adhering to copyright laws, users can enjoy the benefits of free access to knowledge while supporting the authors and publishers who make these resources available. In conclusion, the availability of Kohler Bobcat 225 Manual free PDF books and manuals for download has revolutionized the way we access and consume knowledge. With just a few clicks, individuals can explore a vast collection of resources across different disciplines, all free of charge. This accessibility empowers individuals to become lifelong learners, contributing to personal growth, professional development, and the advancement of society as a whole. So why not unlock a world of knowledge today? Start exploring the vast sea of free PDF books and manuals waiting to be discovered right at your fingertips.

FAQs About Kohler Bobcat 225 Manual Books

How do I know which eBook platform is the best for me? Finding the best eBook platform depends on your reading preferences and device compatibility. Research different platforms, read user reviews, and explore their features before making a choice. Are free eBooks of good quality? Yes, many reputable platforms offer high-quality free eBooks, including classics and public domain works. However, make sure to verify the source to ensure the eBook credibility. Can I read eBooks without an eReader? Absolutely! Most eBook platforms offer webbased readers or mobile apps that allow you to read eBooks on your computer, tablet, or smartphone. How do I avoid digital eye strain while reading eBooks? To prevent digital eye strain, take regular breaks, adjust the font size and background color, and ensure proper lighting while reading eBooks. What the advantage of interactive eBooks? Interactive eBooks incorporate multimedia elements, quizzes, and activities, enhancing the reader engagement and providing a more immersive learning experience. Kohler Bobcat 225 Manual is one of the best book in our library for free trial. We provide copy of Kohler Bobcat 225 Manual in digital format, so the resources that you find are reliable. There are also many Ebooks of related with Kohler Bobcat 225 Manual. Where to download Kohler Bobcat 225 Manual online for free? Are you looking for Kohler Bobcat 225 Manual PDF? This is definitely going to save you time and cash in something you should think about. If you trying to find then search around for online. Without a doubt there are numerous these available and many of them have the freedom. However without doubt you receive whatever you purchase. An alternate way to get ideas is always to check another Kohler Bobcat 225 Manual. This method for see exactly what may be included and adopt these ideas to your book. This site will almost certainly help you save time and effort, money and stress. If you are looking for free books then you really should consider finding to assist you try this. Several of Kohler Bobcat 225 Manual are for sale to free while some are payable. If you arent sure if the books you would like to download works with for usage along with your computer, it is possible to download free trials. The free guides make it easy for

someone to free access online library for download books to your device. You can get free download on free trial for lots of books categories. Our library is the biggest of these that have literally hundreds of thousands of different products categories represented. You will also see that there are specific sites catered to different product types or categories, brands or niches related with Kohler Bobcat 225 Manual. So depending on what exactly you are searching, you will be able to choose e books to suit your own need. Need to access completely for Campbell Biology Seventh Edition book? Access Ebook without any digging. And by having access to our ebook online or by storing it on your computer, you have convenient answers with Kohler Bobcat 225 Manual To get started finding Kohler Bobcat 225 Manual, you are right to find our website which has a comprehensive collection of books online. Our library is the biggest of these that have literally hundreds of thousands of different products represented. You will also see that there are specific sites catered to different categories or niches related with Kohler Bobcat 225 Manual So depending on what exactly you are searching, you will be able to choose ebook to suit your own need. Thank you for reading Kohler Bobcat 225 Manual. Maybe you have knowledge that, people have search numerous times for their favorite readings like this Kohler Bobcat 225 Manual, but end up in harmful downloads. Rather than reading a good book with a cup of coffee in the afternoon, instead they juggled with some harmful bugs inside their laptop. Kohler Bobcat 225 Manual is available in our book collection an online access to it is set as public so you can download it instantly. Our digital library spans in multiple locations, allowing you to get the most less latency time to download any of our books like this one. Merely said, Kohler Bobcat 225 Manual is universally compatible with any devices to read.

Find Kohler Bobcat 225 Manual :

[haynes manual 97 chevy geo tracker](#)

[haynes manual saxo vtr](#)

haynes peugeot 307 cc manual

haynes manual for 2015 cavalier

haynes manual ford f150

haynes manual fiat x1 9

haynes chrysler 300 manual

haynes repair manual ba

haynes manual nissan micra 2000

[haynes manual ford focus 98](#)

haynes repair manual for 87 monte carlo

~~*haynes repair manual citroen berlingo hdi*~~

[haynes repair manual citroen evasion doc up com](#)

[haynes repair manual 2002 ford escape](#)

[haynes 2015 f150 repair manual](#)

Kohler Bobcat 225 Manual :

[maria ile mustafa 14 bölüm izle star](#) - Nov 24 2021

web los sims 4 bullicio y ajeteo acostúmbrate al ajeteo y al bullicio de los sims 4 con un sabroso pack de accesorios y un pack de expansión vecinal la vida está más ocupada

[la filocalia 4 by nicodimo aghiorita macario di corinto m b](#) - Aug 22 2021

web filocalia iv solo para venta en coleccion de 4 tomos la obra clásica de la espiritualidad cristiana de oriente Única edición completa en español en cuatro

la filocalia 4 by nicodimo aghiorita macario di corinto m b - Apr 10 2023

web conoce ahora su cuarta edición griega con los cinco volúmenes aparecidos en astir de atenas en los años 1974 76 sobre éstos se basa nuestra traducción una obra que

dördüncü haçlı seferi vikipedi - Feb 25 2022

web share your videos with friends family and the world

[cetr la filocalia 2009 4 sessions en català youtube](#) - Mar 29 2022

web dördüncü haçlı seferi 1202 1204 yılları arasında gerçekleşen bir haçlı seferidir papa iii innocentius kudüs ü kurtarmak maksadıyla tüm avrupa yı sefere davet etti ve bu sefer

[la filocalia 4 clr imymac com](#) - Aug 02 2022

web filocalia audio volumul 4 backup al site ului ortodox dyndns org ro ionut laptop carti audio

filocalia iv grupo editorial lumen - Jun 12 2023

web find local businesses view maps and get driving directions in google maps

[filocalía 4o tomo varias enseñanzas para principiantes](#) - Dec 06 2022

web la filocalia vol 4 fonti spirituali dell oriente cristiano nicodimo aghiorita macario di corinto artioli m b lovato m f amazon es libros

la filocalia y el peregrino ruso meditación y psicología - May 31 2022

web la filocalia es uno de los muchos textos o conjunto de obras patrísticas de las cuales se ocupó nicodemo justamente en su ansia por poner al alcance de todos los grandes

[google maps](#) - May 11 2023

web may 23 2023 la filocalia 4 by nicodimo aghiorita macario di corinto m b artioli m f lovato la rivelazione e la tradizione autentica contro una visione di fede troppo

filocalia vol 4 libreria doxologia - Oct 04 2022

web filocalia in greco Φιλοκαλία letteralmente amore della bellezza è una raccolta di testi di ascetica e mistica della chiesa cristiana ortodossa fu pubblicata in greco a venezia nel

varios la filocalia - Mar 09 2023

web prezentare tâlcuiri la filocalie vol 4 precum cel mai de pret dintre toate simturile este vederea asa cea mai dumnezeiasca dintre toate virtutile este rugaciunea sfântul nil

filocalia iv lumen com ar - Jul 21 2021

la filocalia vol 4 nicodimo aghiorita macario di corinto artioli - Jul 13 2023

web scopri la filocalia vol 4 di nicodimo aghiorita macario di corinto artioli m b lovato m f spedizione gratuita per i clienti prime e per ordini a partire da 29 spediti da amazon

el libro total la filocalia varios autores - Apr 29 2022

web la filocalia que literalment significa amor a la bellesa recull més de mil anys d experiència espiritual de l cristianisme oriental És una invitació a e

la filocalia vol 4 nicodimo aghiorita macario di corinto - Aug 14 2023

web jul 12 2019 la filocalia vol 4 nicodimo aghiorita macario di corinto libro gribaudi fonti spirituali dell oriente cristiano ibs home libri religione e spiritualità

filocalia audio volumul 4 free download borrow and - Jul 01 2022

web la filocalia philokalia en griego amor a lo bueno a lo bello es una antología en prosa de textos monásticos cristianos griegos que formó parte de un movimiento de

filocalia 4 youtube - Jan 27 2022

web a la sofia hotel İstanbul binbirdirek mah su terazisi sok no 8 sultanahmet fatih 34400 istanbul turkey excellent location show map comfortable and clean rooms

la filocalia vol 4 fonti spirituali dell oriente cristiano - Nov 05 2022

web un grup de autori mai puțin cunoscuți cu excepția ultimilor doi dar ale căror scrieri s au bucurat de o largă răspândire și prețuire în mediul monahal datorită tematicii lor axate

filocalia colección completa 4 tomos lumen - Jan 07 2023

web porque los perfectos como dijimos pueden todo con la jaris increada de cristo que los fortalece fil 4 13 en Él pertenece la

doxa gloria en los siglos de los siglos amín

a la sofia hotel İstanbul istanbul updated 2023 prices - Dec 26 2021

web dec 8 2020 maria ile mustafa 14 bölüm full izle maria ile mustafa 14 bölüm tek parça maria ile mustafa 14 bölümüyle atv ekranlarında izleyicisiyle buluştu

louisiana 2050 explore the perilous future with maps data - Sep 22 2021

web may 18 2023 e behr sigel op cit p 12 4 la filocalia i breve noticia acerca de la filocalia esta obra que apareci gracias a la liberalidad de un prncipe rumano juan mavrocordato

filocalia wikipedia - Sep 03 2022

web la filocalia 4 3 3 kathy bacons innovative approach to sainthood leads to fresh readings of texts by spains three principal realist novelists la familia de leon roch and nazarin

los sims 4 bullicio y ajetreo electronic arts - Oct 24 2021

web 1 day ago louisiana may be the state most at risk from climate change and the year 2050 could prove to be an inflection point as seas rise and more land is lost

tâlcuiri la filocalie vol 4 agaton ro - Feb 08 2023

web filocalia colección completa 4 tomos la obra clásica de la espiritualidad cristiana de oriente Única edición completa en español precio solo para venta online

preschool turtle craft free template crafting jeannie - Dec 13 2022

web glue sticks markers for the face step 1 download and print the turtle craft printable download and print the free turtle craft template in the next step learn how to quickly cut out as many tree shapes as you need the turtle craft printable has everything you need to make this preschool craft step 2 staple and cut out the turtle shapes

easy paper plate turtle craft with free printable story crafts by ria - Sep 10 2022

web to make the turtle s head we have a free printable turtle craft template that you can download and use our turtle s shell is slightly raised in the middle which gives it a 3d look this sea turtle craft is such a fun idea to add to your ocean theme

turtle paper plate craft with i had a little turtle lyrics - Nov 12 2022

web this paper plate turtle craft is easy to make with tissue paper construction paper glue and maybe some googly eyes toddlers and preschoolers will love making their own turtle and learning a fun song to go along with it this post contains affiliate links

paper turtle craft free template in the bag kids crafts - Oct 11 2022

web step 1 cut out the shell find a section of newspaper that is primarily black and white print without colored pictures or ads or choose the comics page for a different look for your turtle craft layer 2 pieces of half sheets of newspaper and cut a

large oval shape

paper plate turtle craft teacher made twinkl - Feb 15 2023

web sign up now to download what is this paper plate turtle craft resource make your own paper plate turtle craft with this fun resource this would be great for an under the sea theme or any aquatic themed lessons

tissue paper and paper plate turtle craft fireflies and mud pies - Oct 23 2023

web may 21 2020 paper plate turtle craft directions 1 after gathering supplies spread glue over the bottom of the paper plate with a paintbrush 2 cover the paper plate with tissue paper squares when you get to the edge of the plate fold the tissue paper 3 if desired sprinkle glitter over the tissue paper

krokotak paper plate turtle craft - Apr 05 2022

web paper plate turtle craft cardboard plates turtle collages watch video

paper plate turtle craft the resourceful mama - Jan 14 2023

web jul 13 2015 1 paint paper plate with green paint we did 2 coats of paint letting it dry between coats 2 use craft punches to cut out various sizes and shades of green circles from the cardstock 3 glue green circles to paper plate 4 print tail legs and head template on green card stock and cut out

[paper plate turtle craft free kids crafts](#) - Jul 08 2022

web aug 22 2023 this easy paper plate turtle is a great craft for kids to make for bulletin boards or vbs water themes supplies are inexpensive and easy to find

turtle paper plate craft for kids parenting chaos - Aug 09 2022

web step by step instructions first cut the paper plate in half to create the turtle s body then paint the entire plate with green paint and let it dry completely while the paint is drying cut out irregular shapes from the green construction paper to create the turtle s shell

paper plate turtle craft with free printable template 3d - May 18 2023

web jul 14 2023 instructions get your supplies gathered together and print out the template so that you re ready to begin the craft cut the paper plate into a triangular shape at approximately a 45 degree angle this forms the base of our turtle s using a glue stick connect the cut out edge of the paper plate

3d paper plate turtle craft free printable template - Jul 20 2023

web jun 21 2023 instructions paint a paper plate with green paint and allow it to dry completely cut a paper cup leaving the bottom part intact and paint it with green paint allow it to dry completely attach the paper cup to the painted paper plate using glue or tape print out the provided turtle shell

turtle paper plate craft template december 2022 - Jun 07 2022

web dec 27 2022 1 start by painting the paper plate green 2 once the paint is dry use a black marker to draw the outline of a turtle shell on the plate 3 next use brown paint to paint the spots on the turtle s shell

tissue paper and paper plate turtle craft turtle paper bag - May 06 2022

web this easy and fun paper plate turtle craft involves a free printable template making it perfect for top school nursery or camp

paper plate turtle craft for kids free printable template - Sep 22 2023

web apr 1 2019 here s how to make this easy and cute paper plate turtle craft you ll need a few supplies paper plate brown foam green paint paintbrush scissors glue green crayon black marker stapler and our free printable start by cutting the paper plate from an edge into the center as seen below

paper plate turtle craft dlk s crafts for kids - Apr 17 2023

web instructions paint the paper plate take a paper plate and paint it green using the green paint and a paintbrush apply a smooth even layer of paint on both sides of the plate set it aside to dry completely decorate the shell cut out squares or hexagons from different colors of construction paper

tissue paper and paper plate turtle craft tissue paper and paper - Mar 04 2022

web this easy plus fun paper plate turtle craft includes a free printable template manufacture it perfect for home school daycare or camp

easy paper plate turtle craft with free printable crafts by ria - Aug 21 2023

web jul 29 2021 supplies you need to make a paper plate turtle craft 2 paper plates scissors free turtle head template you can download the printable by signing up to our newsletter below a4 white cardstock glue stick pva glue black marker paint toilet paper roll

paper plate turtle craft easy peasy and fun - Jun 19 2023

web may 4 2016 this parent and child turtle craft is pretty sweat isn t it easy paper plate turtle craft what you need paper plates scissors markers green paper googly eyes glue to make the large parent turtle use a regular full size paper plate to make a smaller turtle cut the center out of a regular size paper plate

paper plate turtle craft in the bag kids crafts - Mar 16 2023

web turtle craft template crafting with your kids does not need to be difficult or messy use our simple system to simplify the process and reduce clean up fill your bag using our master list and you re ready to go

canadian electrical code sign association of canada - Nov 23 2022

web c22 10 10 csa group québec construction code chapter v electricity canadian electrical code part i twenty first edition with québec amendments total 175 00

csa c22 10 québec construction code chapter v electricity - May 18 2022

web québec electrical code canadian electrical code part i 14th edition canadian standards association québec province bureau des examinateurs électriciens

quebec construction code chapter i 1 energy efficiency of - Feb 12 2022

web medical 911 fire 911 police 911 local telephone prefix 1 is the trunk code for canada more ways to call quebec canada call canada with rebtel save 50 now

the 8 major electrical changes in the quebec - Aug 01 2023

web apr 6 2011 the canadian electrical code part i covers all electrical work and electrical equipment operating or intended to operate at all voltages in electrical installations for

c22 10 18 product csa group - Mar 28 2023

web 1 01 in this chapter unless the context indicates otherwise code means the national building code of canada 2015 nrcc 56190 published by the canadian commission

québec new regulations to amend the construction code - Jul 20 2022

web an electrical contractor or owner builder shall declare to the régie du bâtiment du québec the construction work carried out to which chapter v electricity of the construction

quebec canada area code and quebec canada country code - Jan 14 2022

web oct 15 2023 the u s 2010 census multi level database provides demographic totals and averages at the city county state cbsa and congressional district level for 2010

québec electrical code 2010 chapter v electricity canadian - Jun 30 2023

web mar 28 2022 rve supports the updated québec electrical code march 28 2022 3 minutes the régie du bâtiment du québec published an explanatory booklet in march

the quebec building code amendments to the code - Jun 18 2022

web jan 1 2018 c22 10 10 december 1 2010 québec construction code chapter v electricity canadian electrical code part i this code covers all electrical work and

quebec electrical code rve supports the update - May 30 2023

web en vertu de la loi sur le bâtiment la réglementation concernant le domaine de l'électricité au québec est contenue dans le chapitre v Électricité du code de construction du

légis québec - Feb 24 2023

web draft regulations consult the list of laws regulations and codes administered by the rbq applicable fines and proposed regulations

[laws regulations and codes régie du bâtiment du québec](#) - Jan 26 2023

web direct access to codes and user s guides in electronic format codes and user s guides published by the national research council of canada nrc are available directly

québec construction code chapter v electricity canadian - Oct 23 2022

web the quebec building code interpretation division 1 interpretation interpretation o c 486 2020 s 1 in this chapter unless the context indicates

ce qui s applique régie du bâtiment du québec - Apr 28 2023

web c22 10 18 québec construction code chapter v electricity canadian electrical code part i twenty third edition with québec amendments sku 2425164 published by

construction code régie du bâtiment du québec - Oct 03 2023

web in order to ensure the quality of construction work the building act provides for the adoption of a construction code covering buildings and equipment for public use including electrical petroleum and plumbing facilities as well as those intended for the use

list of the laws regulations and codes administered by the régie - Sep 02 2023

web the full text of the laws and regulations are available on the publications du québec website click on the links below to consult them free of charge for more information on

quebec canada zip codes com - Dec 13 2021

québec electrical code canadian electrical code part i 14th - Apr 16 2022

web the canadian electrical code cec rule 2 024 requires that electrical equipment used in electrical installations be approved and be of a kind or type and rating approved for

the quebec building code interpretation - Sep 21 2022

web québec construction code chapter v electricity canadian electrical code part 1 twenty first edition with québec amendments mississauga csa 2018 652 p

provincial and territorial electrical - Mar 16 2022

web quebec construction code chapter i 1 energy efficiency of buildings and national energy code of canada for buildings 2015 amended direct access to codes and

quebec construction code chapter i building and national - Dec 25 2022

web april 1 2022 canadian electrical code first published in 1927 the canadian electrical code is a safety standard for all electrical work and electrical equipment operating at

electrician examination ccq org - Aug 21 2022

web feb 17 2021 on december 16 2020 the québec government proposed new regulations under the building act namely draft regulation to amend chapter i building of the